


DOSSY

DOSSY

 Type Selection Manual

MANUFACTURER: ZHEJIANG FENGDENG ELECTRIC CO.,LTD
TEL:0577-61677798 FAX:0577-61677700
ADD:QILIGANG INDUSTRY ZONE WENZHOU CITY 325604 ZHEJIANG PROVINCE CHINA
WEB:www.dosyfan.com
<https://cndongxin.1688.com/>

EXPORT DEPARTEMENT:YUEQING FUJI ELECTRIC CO.,LTD
TEL:0577-61678977
ADD:ROOM 310-311 CHINA ELECTRIC CITY LIUSHI TOWN WENZHOU CITY 325604 ZHEJIANG PROVINCE CHINA
WECHAT:13506679789
Emial:info@dosyfan.com
SKYPE:zwjdossy
WEB:www.elec-link.com
<https://acfan.en.alibaba.com/>

ZHEJIANG FENGDENG ELECTRIC CO.,LTD

ZHEJIANG FENGDENG ELECTRIC CO.,LTD

DOSSY

DOSSY

ABOUT US

Zhejiang Fengdeng Electric Co., Ltd. is specialized in, filed of low and high voltage electric goods. With know-how, expertise, and rich experience, we are on the way to do better and better. we are offering customized service. Our task is to offer qualified products and good services to all customers. we would greatly appreciate the chance to convince you of our quality, ability and potential.

AGENT WANTED

Please Communicated With us with no hesitate if you have interest to be our DOSSY agent in your country.



OUR PRODUCT IS EXPOTED OVER 100COUTRIES



DOSSY



We are manufacture and have three brands special in the filed of axial fan, fan parts, Digital panel meter, thermostat, terminal block and plastic cable chain. this catalogue is for the fan and fan parts only. More information please contact with us.



AC Axial Fan



External Rotor Fan



DC Cooling Fan



Digital Panel Ampere & Voltage Meter



Din Rail Ampere & Voltage Meter



Din Rail Energy Meter



Fan Filter



Terminal Block



Fan Guard



Plastic Cable Chain



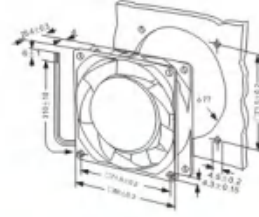
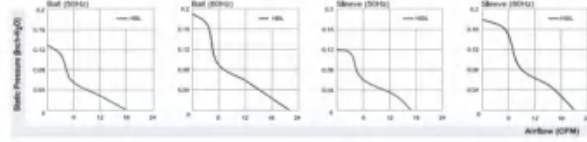
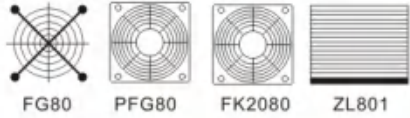
Thermostat



Fan Heater



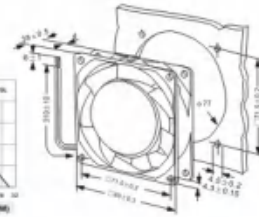
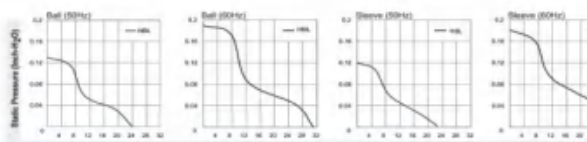
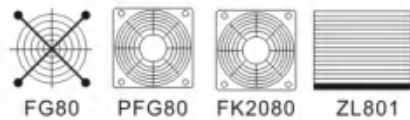
Size:80x80x25mm
 Impeller material:PBT thermoplastic black UL94-V
 Frame:Aluminum Alloy
 Motor:shaded pole induction motor
 Operation temperature:-10°C~+65°C
 Label diameter: 55mm
 Fan accessories



| Factory Code | Model | Voltage (V) | Current (A) | Freq (HZ) | Noise (Db) | Bearing | Power (Watt) | Speed (r/min) | Air volume | | connector | Packing | | |
|--------------|------------|-------------|-------------|-----------|------------|---------|--------------|---------------|------------|-----|-----------|---------|--------|-----------|
| | | | | | | | | | m3/h | CFM | | pcs/ctn | weight | dimension |
| AF825S11L | DS8025ASHL | 110 | 0.14 | 50/60 | 30 | sleeve | 14 | 2500 | 30 | 18 | wire | 80 | 16kg | 40*40*20 |
| AF825B11L | DS8025ABHL | 110 | 0.14 | 50/60 | 30 | ball | 14 | 2550 | 32 | 19 | wire | 80 | 16kg | 40*40*20 |
| AF825S11T | DS8025ASHT | 110 | 0.14 | 50/60 | 30 | sleeve | 14 | 2500 | 30 | 18 | terminal | 80 | 16kg | 40*40*20 |
| AF825B11T | DS8025ABHT | 110 | 0.14 | 50/60 | 30 | ball | 14 | 2550 | 32 | 19 | terminal | 80 | 16kg | 40*40*20 |
| AF825S22L | DS8025ASHL | 220 | 0.09 | 50/60 | 30 | sleeve | 16 | 2500 | 30 | 18 | wire | 80 | 16kg | 40*40*20 |
| AF825B22L | DS8025ABHL | 220 | 0.09 | 50/60 | 30 | ball | 16 | 2550 | 32 | 19 | wire | 80 | 16kg | 40*40*20 |
| AF825S22T | DS8025ASHT | 220 | 0.09 | 50/60 | 30 | sleeve | 16 | 2500 | 30 | 18 | terminal | 80 | 16kg | 40*40*20 |
| AF825B22T | DS8025ABHT | 220 | 0.09 | 50/60 | 30 | ball | 16 | 2550 | 32 | 19 | terminal | 80 | 16kg | 40*40*20 |
| AF825SBIVL | DS8025ASHL | 110&220 | 0.09/0.14 | 50/60 | 30 | sleeve | 16 | 2500 | 30 | 18 | wire | 80 | 16kg | 40*40*20 |
| AF8252BIVL | DS8025ABHL | 110&220 | 0.09/0.14 | 50/60 | 30 | ball | 16 | 2550 | 32 | 19 | wire | 80 | 16kg | 40*40*20 |



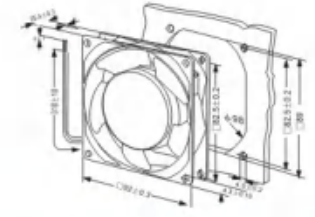
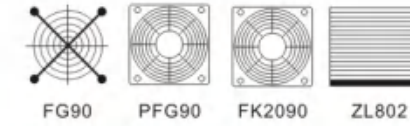
Size:80x80x38mm
 Impeller material:PBT thermoplastic black UL94-V
 Frame:Aluminum Alloy
 Motor:shaded pole induction motor
 Operation temperature:-10°C~+65°C
 Label diameter:45mm
 Fan accessories



| Factory Code | Model | Voltage (V) | Current (A) | Freq (HZ) | Noise (Db) | Bearing | Power (Watt) | Speed (r/min) | Air volume | | connector | Packing | | |
|--------------|------------|-------------|-------------|-----------|------------|---------|--------------|---------------|------------|-----|-----------|---------|--------|-----------|
| | | | | | | | | | m3/h | CFM | | pcs/ctn | weight | dimension |
| AF838S11L | DS8038ASHL | 110 | 0.14 | 50/60 | 32 | sleeve | 14 | 2550 | 40 | 30 | wire | 60 | 16kg | 40*40*20 |
| AF838B11L | DS8038ABHL | 110 | 0.14 | 50/60 | 32 | ball | 14 | 2600 | 42 | 31 | wire | 60 | 16kg | 40*40*20 |
| AF838S11T | DS8038ASHT | 110 | 0.14 | 50/60 | 32 | sleeve | 14 | 2550 | 40 | 30 | terminal | 60 | 16kg | 40*40*20 |
| AF838B11T | DS8038ABHT | 110 | 0.14 | 50/60 | 32 | ball | 14 | 2600 | 42 | 31 | terminal | 60 | 16kg | 40*40*20 |
| AF838S22L | DS8038ASHL | 220 | 0.09 | 50/60 | 32 | sleeve | 17 | 2550 | 40 | 30 | wire | 60 | 16kg | 40*40*20 |
| AF838B22L | DS8038ABHL | 220 | 0.09 | 50/60 | 32 | ball | 17 | 2600 | 42 | 31 | wire | 60 | 16kg | 40*40*20 |
| AF838S22T | DS8038ASHT | 220 | 0.09 | 50/60 | 32 | sleeve | 17 | 2550 | 40 | 30 | terminal | 60 | 16kg | 40*40*20 |
| AF838B22T | DS8038ABHT | 220 | 0.09 | 50/60 | 32 | ball | 17 | 2600 | 42 | 31 | terminal | 60 | 16kg | 40*40*20 |
| AF838SBIVL | DS8038ASHL | 110&220 | 0.09/0.14 | 50/60 | 32 | sleeve | 17 | 2550 | 40 | 30 | wire | 60 | 16kg | 40*40*20 |
| AF8382BIVL | DS8038ABHL | 110&220 | 0.09/0.14 | 50/60 | 32 | ball | 17 | 2600 | 42 | 31 | wire | 60 | 16kg | 40*40*20 |



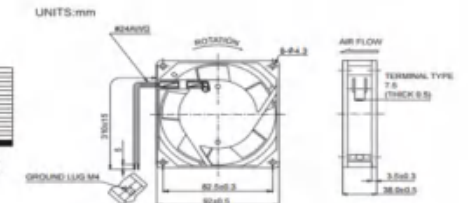
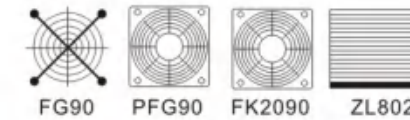
Size:92x92x25mm
 Impeller material:PBT thermoplastic black UL94-V
 Frame:Aluminum Alloy
 Motor:shaded pole induction motor
 Operation temperature:-10°C~+65°C
 Label diameter: 55mm



| P/N | Model | Voltage (V) | Current (A) | Freq (HZ) | Noise (Db) | Bearing | Power (Watt) | Speed (r/min) | Air volume | | connector | Packing | | |
|------------|------------|-------------|-------------|-----------|------------|---------|--------------|---------------|------------|-----|-----------|---------|--------|-----------|
| | | | | | | | | | m3/h | CFM | | pcs/ctn | weight | dimension |
| AF925S11L | DS9225ASHL | 110 | 0.14 | 50/60 | 32 | sleeve | 13 | 2500 | 58 | 35 | wire | 80 | 23kg | 46*40*22 |
| AF925B11L | DS9225ABHL | 110 | 0.14 | 50/60 | 32 | ball | 14 | 2550 | 59 | 36 | wire | 80 | 23kg | 46*40*22 |
| AF925S11T | DS9225ASHT | 110 | 0.14 | 50/60 | 32 | sleeve | 13 | 2500 | 58 | 35 | terminal | 80 | 23kg | 46*40*22 |
| AF925B11T | DS9225ABHT | 110 | 0.14 | 50/60 | 32 | ball | 14 | 2550 | 59 | 36 | terminal | 80 | 23kg | 46*40*22 |
| AF925S22L | DS9225ASHL | 220 | 0.09 | 0 | 32 | sleeve | 13 | 2500 | 58 | 35 | wire | 80 | 23kg | 46*40*22 |
| AF925B22L | DS9225ABHL | 220 | 0.09 | 50/60 | 32 | ball | 14 | 2550 | 59 | 36 | wire | 80 | 23kg | 46*40*22 |
| AF925S22T | DS9225ASHT | 220 | 0.09 | 50/60 | 32 | sleeve | 13 | 2500 | 58 | 35 | terminal | 80 | 23kg | 46*40*22 |
| AF925B22T | DS9225ABHT | 220 | 0.09 | 50/60 | 32 | ball | 14 | 2550 | 59 | 36 | terminal | 80 | 23kg | 46*40*22 |
| AF925SBIVL | DS9225ASHL | 110&220 | 0.09/0.14 | 50/60 | 32 | sleeve | 13 | 2500 | 58 | 35 | wire | 80 | 23kg | 46*40*22 |
| AF9252BIVL | DS9225ABHL | 110&220 | 0.09/0.14 | 50/60 | 32 | ball | 14 | 2550 | 59 | 36 | wire | 80 | 23kg | 46*40*22 |



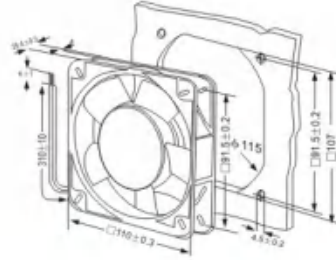
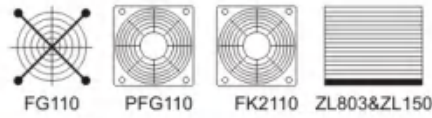
Size:92x92x38mm
 Impeller material:PBT thermoplastic black UL94-V
 Frame:Aluminum Alloy
 Motor:shaded pole induction motor
 Operation temperature:-10°C~+65°C
 Label diameter:45mm



| P/N | Model | Voltage (V) | Current (A) | Freq (HZ) | Noise (Db) | Bearing | Power (Watt) | Speed (r/min) | Air volume | | connector | Packing | | |
|------------|------------|-------------|-------------|-----------|------------|---------|--------------|---------------|------------|-----|-----------|---------|--------|-----------|
| | | | | | | | | | m3/h | CFM | | pcs/ctn | weight | dimension |
| AF938S11L | DS9238ASHL | 110 | 0.14 | 50/60 | 32 | sleeve | 15 | 2550 | 77 | 46 | wire | 60 | 23kg | 46*40*22 |
| AF938B11L | DS9238ABHL | 110 | 0.14 | 50/60 | 32 | ball | 15 | 2600 | 79 | 47 | wire | 60 | 23kg | 46*40*22 |
| AF938S11T | DS9238ASHT | 110 | 0.14 | 50/60 | 32 | sleeve | 15 | 2550 | 77 | 46 | terminal | 60 | 23kg | 46*40*22 |
| AF938B11T | DS9238ABHT | 110 | 0.14 | 50/60 | 32 | ball | 15 | 2600 | 79 | 47 | terminal | 60 | 23kg | 46*40*22 |
| AF938S22L | DS9238ASHL | 220 | 0.09 | 50/60 | 32 | sleeve | 15 | 2550 | 77 | 46 | wire | 60 | 23kg | 46*40*22 |
| AF938B22L | DS9238ABHL | 220 | 0.09 | 50/60 | 32 | ball | 15 | 2600 | 79 | 47 | wire | 60 | 23kg | 46*40*22 |
| AF938S22T | DS9238ASHT | 220 | 0.09 | 50/60 | 32 | sleeve | 15 | 2550 | 77 | 46 | terminal | 60 | 23kg | 46*40*22 |
| AF938B22T | DS9238ABHT | 220 | 0.09 | 50/60 | 32 | ball | 15 | 2600 | 79 | 47 | terminal | 60 | 23kg | 46*40*22 |
| AF938SBIVL | DS9238ASHL | 110&220 | 0.09/0.14 | 50/60 | 32 | sleeve | 16 | 2550 | 77 | 46 | wire | 60 | 23kg | 46*40*22 |
| AF9382BIVL | DS9238ABHL | 110&220 | 0.09/0.14 | 50/60 | 32 | ball | 16 | 2600 | 79 | 47 | wire | 60 | 23kg | 46*40*22 |



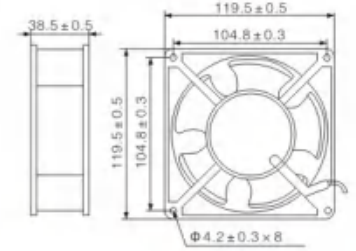
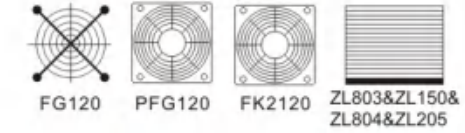
Size: 110x110x25mm
 Impeller material: PBT thermoplastic black UL94-V
 Frame: Aluminum Alloy
 Motor: shaded pole induction motor
 Operation temperature: -10°C~+65°C
 Label diameter: 57mm



| P/N | Model | Voltage (V) | Current (A) | Freq (HZ) | Noise (Db) | Bearing | Power (Watt) | Speed (r/min) | Air volume | | connector | Packing | | |
|-------------|-------------|-------------|-------------|-----------|------------|---------|--------------|---------------|------------|-----|-----------|---------|--------|-----------|
| | | | | | | | | | (m3/h) | CFM | | pcs/ctn | weight | dimension |
| AF1125S11L | DS11025ASHL | 110 | 0.16 | 50/60 | 32 | sleeve | 14 | 2500 | 78 | 47 | wire | 80 | 20kg | 53*40*26 |
| AF1125B11L | DS11025ABHL | 110 | 0.16 | 50/60 | 32 | ball | 15 | 2550 | 80 | 48 | | 80 | 20kg | 53*40*26 |
| AF1125S11T | DS11025ASHT | 110 | 0.16 | 50/60 | 32 | sleeve | 14 | 2500 | 78 | 47 | terminal | 80 | 20kg | 53*40*26 |
| AF1125B11T | DS11025ABHT | 110 | 0.16 | 50/60 | 32 | ball | 15 | 2550 | 80 | 48 | | 80 | 20kg | 53*40*26 |
| AF1125S22L | DS11025ASHL | 220 | 0.08 | 50/60 | 32 | sleeve | 14 | 2500 | 78 | 47 | wire | 80 | 20kg | 53*40*26 |
| AF1125B22L | DS11025ABHL | 220 | 0.08 | 50/60 | 32 | ball | 15 | 2550 | 80 | 48 | | 80 | 20kg | 53*40*26 |
| AF1125S22T | DS11025ASHT | 220 | 0.08 | 50/60 | 32 | sleeve | 14 | 2500 | 78 | 47 | terminal | 80 | 20kg | 53*40*26 |
| AF1125B22T | DS11025ABHT | 220 | 0.08 | 50/60 | 32 | ball | 15 | 2550 | 80 | 48 | | 80 | 20kg | 53*40*26 |
| AF1125SBIVL | DS11025ASHL | 110&220 | 0.08/0.16 | 50/60 | 32 | sleeve | 14 | 2500 | 78 | 47 | wire | 80 | 20kg | 53*40*26 |
| AF11252BIVL | DS11025ABHL | 110&220 | 0.08/0.16 | 50/60 | 32 | ball | 15 | 2550 | 80 | 48 | | 80 | 20kg | 53*40*26 |



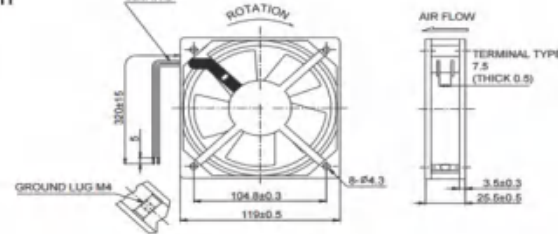
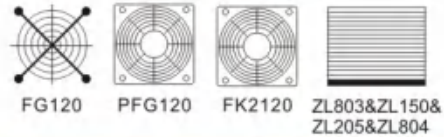
Size: 120x120x38mm
 Impeller material: PBT thermoplastic black UL94-V
 Frame: Aluminum Alloy
 Motor: shaded pole induction motor
 Operation temperature: -10°C~+65°C
 Label diameter: 60mm



| P/N | Model | Voltage (V) | Current (A) | Freq (HZ) | Noise (Db) | Bearing | Power (Watt) | Speed (r/min) | Air volume | | connector | Packing | | |
|-------------|-------------|-------------|-------------|-----------|------------|---------|--------------|---------------|------------|-----|-----------|---------|--------|------------|
| | | | | | | | | | (m3/h) | CFM | | pcs/ctn | weight | dimension |
| AF1238S11L | DS12038ASHL | 110 | 0.22 | 50/60 | 39 | sleeve | 19 | 2500 | 138 | 81 | wire | 40 | 19kg | 51*29.5*29 |
| AF1238B11L | DS12038ABHL | 110 | 0.22 | 50/60 | 39 | ball | 20 | 2550 | 148 | 87 | | 40 | 19kg | 51*29.5*29 |
| AF1238S11T | DS12038ASHT | 110 | 0.22 | 50/60 | 39 | sleeve | 19 | 2500 | 138 | 81 | terminal | 40 | 19kg | 51*29.5*29 |
| AF1238B11T | DS12038ABHT | 110 | 0.22 | 50/60 | 39 | ball | 20 | 2550 | 148 | 87 | | 40 | 19kg | 51*29.5*29 |
| AF1238S22L | DS12038ASHL | 220 | 0.11 | 50/60 | 39 | sleeve | 19 | 2500 | 138 | 81 | wire | 40 | 19kg | 51*29.5*29 |
| AF1238B22L | DS12038ABHL | 220 | 0.11 | 50/60 | 39 | ball | 20 | 2550 | 148 | 87 | | 40 | 19kg | 51*29.5*29 |
| AF1238S22T | DS12038ASHT | 220 | 0.11 | 50/60 | 39 | sleeve | 19 | 2500 | 138 | 81 | terminal | 40 | 19kg | 51*29.5*29 |
| AF1238B22T | DS12038ABHT | 220 | 0.11 | 50/60 | 39 | ball | 20 | 2550 | 148 | 87 | | 40 | 19kg | 51*29.5*29 |
| AF1238S38L | DS12038ASHL | 380 | 0.06 | 50/60 | 39 | sleeve | 19 | 2500 | 138 | 81 | wire | 40 | 19kg | 51*29.5*29 |
| AF1238B38L | DS12038ABHL | 380 | 0.06 | 50/60 | 39 | ball | 20 | 2550 | 148 | 87 | | 40 | 19kg | 51*29.5*29 |
| AF1238SBVIL | DS12038ASHL | 110&220 | 0.11/0.22 | 50/60 | 39 | sleeve | 19 | 2500 | 138 | 81 | wire | 40 | 19kg | 51*29.5*29 |
| AF12382BVIL | DS12038ABHL | 110&220 | 0.11/0.22 | 50/60 | 39 | ball | 20 | 2550 | 148 | 87 | | 40 | 19kg | 51*29.5*29 |



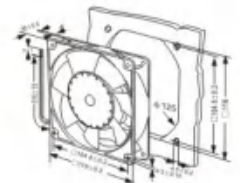
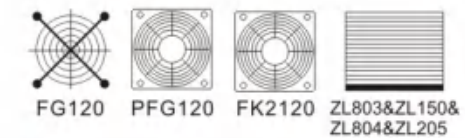
Size: 120x120x25mm
 Impeller material: PBT thermoplastic black UL94-V
 Frame: Aluminum Alloy
 Motor: shaded pole induction motor
 Operation temperature: -10°C~+65°C
 Label diameter: 57mm



| P/N | Model | Voltage (V) | Current (A) | Freq (HZ) | Noise (Db) | Bearing | Power (Watt) | Speed (r/min) | Air volume | | connector | Packing | | |
|-------------|-------------|-------------|-------------|-----------|------------|---------|--------------|---------------|------------|-----|-----------|---------|--------|-----------|
| | | | | | | | | | (m3/h) | CFM | | pcs/ctn | weight | dimension |
| AF1225S11L | DS12025ASHL | 110 | 0.16 | 50/60 | 32 | sleeve | 15 | 2550 | 85 | 50 | wire | 60 | 21kg | 44*40*28 |
| AF1225B11L | DS12025ABHL | 110 | 0.16 | 50/60 | 32 | ball | 15 | 2600 | 90 | 53 | | 60 | 21kg | 44*40*28 |
| AF1225S11T | DS12025ASHT | 110 | 0.16 | 50/60 | 32 | sleeve | 15 | 2550 | 85 | 50 | terminal | 60 | 21kg | 44*40*28 |
| AF1225B11T | DS12025ABHT | 110 | 0.16 | 50/60 | 32 | ball | 15 | 2600 | 90 | 53 | | 60 | 21kg | 44*40*28 |
| AF1225S22L | DS12025ASHL | 220 | 0.08 | 50/60 | 32 | sleeve | 15 | 2550 | 85 | 50 | wire | 60 | 21kg | 44*40*28 |
| AF1225B22L | DS12025ABHL | 220 | 0.08 | 50/60 | 32 | ball | 15 | 2600 | 90 | 53 | | 60 | 21kg | 44*40*28 |
| AF1225S22T | DS12025ASHT | 220 | 0.08 | 50/60 | 32 | sleeve | 15 | 2550 | 85 | 50 | terminal | 60 | 21kg | 44*40*28 |
| AF1225B22T | DS12025ABHT | 220 | 0.08 | 50/60 | 32 | ball | 15 | 2600 | 90 | 53 | | 60 | 21kg | 44*40*28 |
| AF1225SBIVL | DS12025ASHL | 110&220 | 0.08/0.16 | 50/60 | 32 | sleeve | 16 | 2550 | 85 | 50 | wire | 60 | 21kg | 44*40*28 |
| AF12252BIVL | DS12025ABHL | 110&220 | 0.08/0.16 | 50/60 | 32 | ball | 16 | 2600 | 90 | 53 | | 60 | 21kg | 44*40*28 |



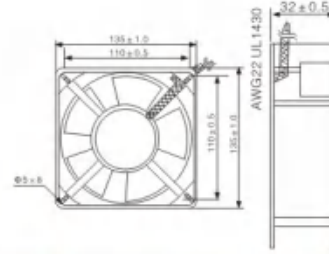
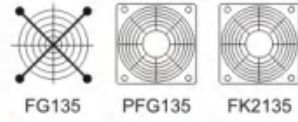
Size: 120x120x38mm
 Impeller material: PBT thermoplastic black UL94-V
 Frame: Aluminum Alloy
 Motor: shaded pole induction motor
 Operation temperature: -10°C~+65°C
 Label diameter: 45mm



| P/N | Model | Voltage (V) | Current (A) | Freq (HZ) | Noise (Db) | Bearing | Power (Watt) | Speed (r/min) | Air volume | | connector | Packing | | |
|--------------|-------------|-------------|-------------|-----------|------------|---------|--------------|---------------|------------|-----|-----------|---------|--------|-----------|
| | | | | | | | | | (m3/h) | CFM | | pcs/ctn | weight | dimension |
| AF12387S11L | DS12038ASHL | 110 | 0.24 | 50/60 | 43 | sleeve | 21 | 2580 | 160 | 94 | wire | 40 | 22kg | 46*28*28 |
| AF12387B11L | DS12038ABHL | 110 | 0.24 | 50/60 | 43 | ball | 22 | 2700 | 172 | 102 | | 40 | 22kg | 46*28*28 |
| AF12387S11T | DS12038ASHT | 110 | 0.24 | 50/60 | 43 | sleeve | 21 | 2580 | 160 | 94 | terminal | 40 | 22kg | 46*28*28 |
| AF12387B11T | DS12038ABHT | 110 | 0.24 | 50/60 | 43 | ball | 22 | 2700 | 172 | 102 | | 40 | 22kg | 46*28*28 |
| AF12387S22L | DS12038ASHL | 220 | 0.12 | 50/60 | 43 | sleeve | 21 | 2580 | 160 | 94 | wire | 40 | 22kg | 46*28*28 |
| AF12387B22L | DS12038ABHL | 220 | 0.12 | 50/60 | 43 | ball | 22 | 2700 | 172 | 102 | | 40 | 22kg | 46*28*28 |
| AF12387S22T | DS12038ASHT | 220 | 0.12 | 50/60 | 43 | sleeve | 21 | 2580 | 160 | 94 | terminal | 40 | 22kg | 46*28*28 |
| AF12387B22T | DS12038ABHT | 220 | 0.12 | 50/60 | 43 | ball | 22 | 2700 | 172 | 102 | | 40 | 22kg | 46*28*28 |
| AF12387S38L | DS12038ASHL | 380 | 0.07 | 50/60 | 43 | sleeve | 21 | 2580 | 160 | 94 | wire | 40 | 22kg | 46*28*28 |
| AF12387B38L | DS12038ABHL | 380 | 0.07 | 50/60 | 43 | ball | 22 | 2700 | 172 | 102 | | 40 | 22kg | 46*28*28 |
| AF12387SBVIL | DS12038ASHL | 110&220 | 0.12/0.24 | 50/60 | 43 | sleeve | 21 | 2580 | 160 | 94 | wire | 40 | 22kg | 46*28*28 |
| AF123872BVIL | DS12038ABHL | 110&220 | 0.12/0.24 | 50/60 | 43 | ball | 22 | 2700 | 172 | 102 | | 40 | 22kg | 46*28*28 |



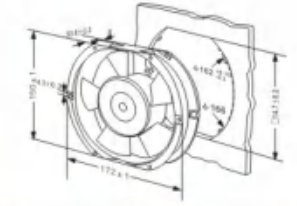
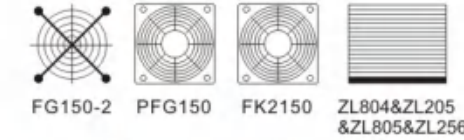
Size: 135x135x32mm
 Impeller material: PBT thermoplastic black UL94-V
 Frame: Aluminum Alloy
 Motor: shaded pole induction motor
 Operation temperature: -10°C ~ +65°C
 Label diameter: 45mm



| P/N | Model | Voltage (V) | Current (A) | Freq (HZ) | Noise (Db) | Bearing | Power (Watt) | Speed (r/min) | Air volume | | connector | Packing | | |
|-------------|-----------|-------------|-------------|-----------|------------|---------|--------------|---------------|------------|-----|-----------|---------|--------|------------|
| | | | | | | | | | (m3/h) | CFM | | pcs/ctn | weight | dimension |
| AF13532S11L | 125FZY1-S | 110 | 0.28 | 50/60 | 45 | sleeve | 25 | 2500 | 168 | 98 | wire | 40 | 24kg | 37*29.5*30 |
| AF13532B11L | 125FZY1-S | 110 | 0.28 | 50/60 | 45 | ball | 25 | 2550 | 180 | 105 | | 40 | 24kg | 37*29.5*30 |
| AF13532S22L | 125FZY2-S | 220 | 0.14 | 50/60 | 45 | sleeve | 25 | 2500 | 168 | 98 | | 40 | 24kg | 37*29.5*30 |
| AF13532B22L | 125FZY2-S | 220 | 0.14 | 50/60 | 45 | ball | 25 | 2550 | 180 | 105 | | 40 | 24kg | 37*29.5*30 |
| AF13532S38L | 125FZY4-S | 380 | 0.08 | 50/60 | 45 | sleeve | 25 | 2500 | 168 | 98 | | 40 | 24kg | 37*29.5*30 |
| AF13532B38L | 125FZY4-S | 380 | 0.08 | 50/60 | 45 | ball | 25 | 2550 | 180 | 105 | | 40 | 24kg | 37*29.5*30 |



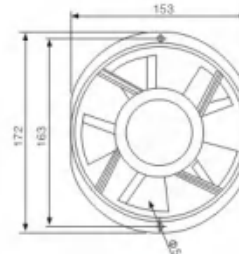
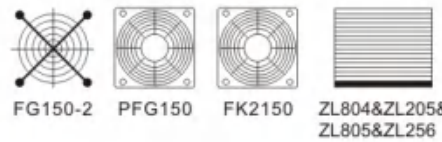
Size: 172x150x51mm
 Impeller material: PBT thermoplastic black UL94-V
 Frame: Aluminum Alloy
 Motor: shaded pole induction motor
 Operation temperature: -10°C ~ +65°C
 Label diameter: 53mm



| P/N | Model | Voltage (V) | Current (A) | Freq (HZ) | Noise (Db) | Bearing | Power (Watt) | Speed (r/min) | Air volume | | connector | Packing | | |
|------------|-------------|-------------|-------------|-----------|------------|---------|--------------|---------------|------------|-----|-----------|---------|--------|------------|
| | | | | | | | | | (m3/h) | CFM | | pcs/ctn | weight | dimension |
| AF1725S11L | DS15052ASHL | 110 | 0.4 | 50/60 | 50 | sleeve | 26w | 2500 | 298 | 175 | wire | 20 | 18kg | 37.5*33*31 |
| AF1725B11L | DS15052ABHL | 110 | 0.4 | 50/60 | 50 | ball | 26w | 2650 | 330 | 194 | | 20 | 18kg | 37.5*33*31 |
| AF1725S11T | DS15052ASHT | 110 | 0.4 | 50/60 | 50 | sleeve | 26w | 2500 | 298 | 175 | terminal | 20 | 18kg | 37.5*33*31 |
| AF1725B11T | DS15052ABHT | 110 | 0.4 | 50/60 | 50 | ball | 26w | 2650 | 330 | 194 | | 20 | 18kg | 37.5*33*31 |
| AF1725S22L | DS15052ASHL | 220 | 0.2 | 50/60 | 50 | sleeve | 26w | 2500 | 298 | 175 | wire | 20 | 18kg | 37.5*33*31 |
| AF1725B22L | DS15052ABHL | 220 | 0.2 | 50/60 | 50 | ball | 26w | 2650 | 330 | 194 | | 20 | 18kg | 37.5*33*31 |
| AF1725S22T | DS15052ASHT | 220 | 0.2 | 50/60 | 50 | sleeve | 26w | 2500 | 298 | 175 | terminal | 20 | 18kg | 37.5*33*31 |
| AF1725B22T | DS15052ABHT | 220 | 0.2 | 50/60 | 50 | ball | 26w | 2650 | 330 | 194 | | 20 | 18kg | 37.5*33*31 |
| AF1725S38L | DS15052ASHL | 380 | 0.12 | 50/60 | 50 | sleeve | 26w | 2500 | 298 | 175 | wire | 20 | 18kg | 37.5*33*31 |
| AF1725B38L | DS15052ABHL | 380 | 0.12 | 50/60 | 50 | ball | 26w | 2650 | 330 | 194 | | 20 | 18kg | 37.5*33*31 |
| AF1725S38T | DS15052ASHT | 380 | 0.12 | 50/60 | 50 | sleeve | 26w | 2500 | 298 | 175 | terminal | 20 | 18kg | 37.5*33*31 |
| AF1725B38T | DS15052ABHT | 380 | 0.12 | 50/60 | 50 | ball | 26w | 2650 | 330 | 194 | | 20 | 18kg | 37.5*33*31 |



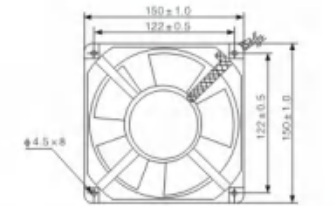
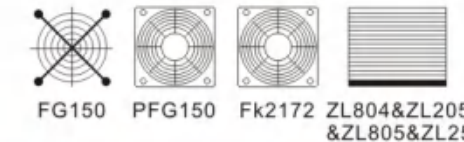
Size: 172x150x38mm
 Impeller material: PBT thermoplastic black UL94-V
 Frame: Aluminum Alloy
 Motor: shaded pole induction motor
 Operation temperature: -10°C ~ +65°C
 Label diameter: 45mm



| P/N | Model | Voltage (V) | Current (A) | Freq (HZ) | Noise (Db) | Bearing | Power (Watt) | Speed (r/min) | Air volume | | connector | Packing | | |
|-------------|-----------|-------------|-------------|-----------|------------|---------|--------------|---------------|------------|-----|-----------|----------|--------|------------|
| | | | | | | | | | (m3/h) | CFM | | pcs/ctn | weight | dimension |
| AF17238B11L | 145FZY1-S | 110 | 0.36 | 50/60 | 52 | sleeve | 30w | 2500 | 312 | 183 | wire | 20 | 18kg | 37*33*26.5 |
| AF17238B11T | 145FZY1-S | 110 | 0.36 | 50/60 | 52 | ball | 30w | 2550 | 320 | 188 | | terminal | 20 | 18kg |
| AF17238B22L | 145FZY2-S | 220 | 0.18 | 50/60 | 52 | sleeve | 30w | 2500 | 312 | 183 | wire | 20 | 18kg | 37*33*26.5 |
| AF17238B22T | 145FZY2-S | 220 | 0.18 | 50/60 | 52 | ball | 30w | 2550 | 320 | 188 | | terminal | 20 | 18kg |
| AF17238B38L | 145FZY4-S | 380 | 0.1 | 50/60 | 52 | sleeve | 30w | 2500 | 312 | 183 | wire | 20 | 18kg | 37*33*26.5 |
| AF17238B38T | 145FZY4-S | 380 | 0.1 | 50/60 | 52 | ball | 30w | 2550 | 320 | 188 | | terminal | 20 | 18kg |



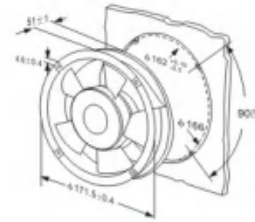
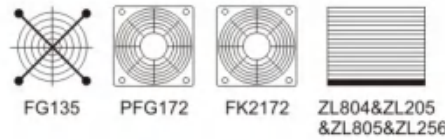
Size: 150x150x51mm
 Impeller material: PBT thermoplastic black UL94-V
 Frame: Aluminum Alloy
 Motor: shaded pole induction motor
 Operation temperature: -10°C ~ +65°C
 Label diameter: 53mm



| P/N | Model | Voltage (V) | Current (A) | Freq (HZ) | Noise (Db) | Bearing | Power (Watt) | Speed (r/min) | Air volume | | connector | Packing | | |
|------------|-------------|-------------|-------------|-----------|------------|---------|--------------|---------------|------------|-----|-----------|---------|--------|------------|
| | | | | | | | | | (m3/h) | CFM | | pcs/ctn | weight | dimension |
| AF1551S11L | DS15051ASHL | 110 | 0.4 | 50/60 | 50 | sleeve | 25 | 2500 | 298 | 175 | wire | 20 | 18kg | 33*29*33.5 |
| AF1551B11L | DS15051ABHL | 110 | 0.4 | 50/60 | 50 | ball | 30 | 2650 | 330 | 194 | | 20 | 18kg | 33*29*33.5 |
| AF1551S11T | DS15051ASHT | 110 | 0.4 | 50/60 | 50 | sleeve | 25 | 2500 | 298 | 175 | terminal | 20 | 18kg | 33*29*33.5 |
| AF1551B11T | DS15051ABHT | 110 | 0.4 | 50/60 | 50 | ball | 30 | 2650 | 330 | 194 | | 20 | 18kg | 33*29*33.5 |
| AF1551S22L | DS15051ASHL | 220 | 0.2 | 50/60 | 50 | sleeve | 25 | 2500 | 298 | 175 | wire | 20 | 18kg | 33*29*33.5 |
| AF1551B22L | DS15051ABHL | 220 | 0.2 | 50/60 | 50 | ball | 30 | 2650 | 330 | 194 | | 20 | 18kg | 33*29*33.5 |
| AF1551S22T | DS15051ASHT | 220 | 0.2 | 50/60 | 50 | sleeve | 25 | 2500 | 298 | 175 | terminal | 20 | 18kg | 33*29*33.5 |
| AF1551B22T | DS15051ABHT | 220 | 0.2 | 50/60 | 50 | ball | 30 | 2650 | 330 | 194 | | 20 | 18kg | 33*29*33.5 |
| AF1551S38L | DS15051ASHL | 380 | 0.12 | 50/60 | 50 | sleeve | 25 | 2500 | 298 | 175 | wire | 20 | 18kg | 33*29*33.5 |
| AF1551B38L | DS15051ABHL | 380 | 0.12 | 50/60 | 50 | ball | 30 | 2650 | 330 | 194 | | 20 | 18kg | 33*29*33.5 |
| AF1551S38T | DS15051ASHT | 380 | 0.12 | 50/60 | 50 | sleeve | 25 | 2500 | 298 | 175 | terminal | 20 | 18kg | 33*29*33.5 |
| AF1551B38T | DS15051ABHT | 380 | 0.12 | 50/60 | 50 | ball | 30 | 2650 | 330 | 194 | | 20 | 18kg | 33*29*33.5 |

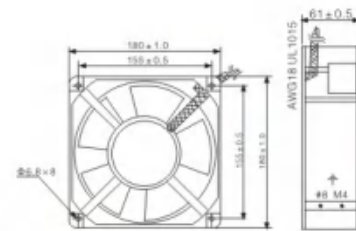
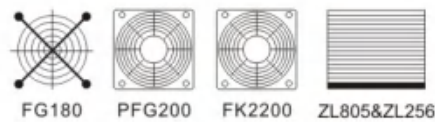


Size:172x172x51mm
 Impeller material:PBT thermoplastic black UL94-V
 Frame:Aluminum Alloy
 Motor:shaded pole induction motor
 Operation temperature:-10°C~+65°C
 Label diameter:53mm



| P/N | Model | Voltage (V) | Current (A) | Freq (HZ) | Noise (Db) | Bearing | Power (Watt) | Speed (r/min) | Air volume | | connector | Packing | | |
|------------|------------|-------------|-------------|-----------|------------|---------|--------------|---------------|------------|-----|-----------|---------|--------|-----------|
| | | | | | | | | | (m3/h) | CFM | | pcs/ctn | weight | dimension |
| AF172RS11L | DS1752ASHL | 110 | 0.4 | 50/60 | 50 | sleeve | 25 | 2500 | 298 | 175 | wire | 20 | 17kg | 38*37*31 |
| AF172RB11L | DS1752ABHL | 110 | 0.4 | 50/60 | 50 | ball | 30 | 2650 | 330 | 194 | wire | 20 | 17kg | 38*37*31 |
| AF172RS11T | DS1752ASHT | 110 | 0.4 | 50/60 | 50 | sleeve | 25 | 2500 | 298 | 175 | terminal | 20 | 17kg | 38*37*31 |
| AF172RB11T | DS1752ABHT | 110 | 0.4 | 50/60 | 50 | ball | 30 | 2650 | 330 | 194 | terminal | 20 | 17kg | 38*37*31 |
| AF172RS22L | DS1752ASHL | 220 | 0.2 | 50/60 | 50 | sleeve | 25 | 2500 | 298 | 175 | wire | 20 | 17kg | 38*37*31 |
| AF172RB22L | DS1752ABHL | 220 | 0.2 | 50/60 | 50 | ball | 30 | 2650 | 330 | 194 | wire | 20 | 17kg | 38*37*31 |
| AF172RS22T | DS1752ASHT | 220 | 0.2 | 50/60 | 50 | sleeve | 25 | 2500 | 298 | 175 | terminal | 20 | 17kg | 38*37*31 |
| AF172RB22T | DS1752ABHT | 220 | 0.2 | 50/60 | 50 | ball | 30 | 2650 | 330 | 194 | terminal | 20 | 17kg | 38*37*31 |
| AF172RS38L | DS1752ASHL | 380 | 0.12 | 50/60 | 50 | sleeve | 25 | 2500 | 298 | 175 | wire | 20 | 17kg | 38*37*31 |
| AF172RB38L | DS1752ABHL | 380 | 0.12 | 50/60 | 50 | ball | 30 | 2650 | 330 | 194 | wire | 20 | 17kg | 38*37*31 |
| AF172RS38T | DS1752ASHT | 380 | 0.12 | 50/60 | 50 | sleeve | 25 | 2500 | 298 | 175 | terminal | 20 | 17kg | 38*37*31 |
| AF172RB38T | DS1752ABHT | 380 | 0.12 | 50/60 | 50 | ball | 30 | 2650 | 330 | 194 | terminal | 20 | 17kg | 38*37*31 |

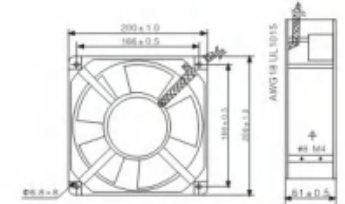
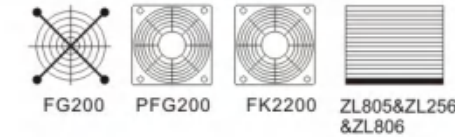
Size:180x180x60mm
 Impeller material:PBT thermoplastic black UL94-V
 Frame:Aluminum Alloy
 Motor:shaded pole induction motor
 Operation temperature:-10°C~+65°C
 Label diameter:65mm



| P/N | Model | Voltage (V) | Current (A) | Freq (HZ) | Noise (Db) | Bearing | Power (Watt) | Speed (r/min) | Air volume | | connector | Packing | | |
|------------|-------------|-------------|-------------|-----------|------------|---------|--------------|---------------|------------|-----|-----------|---------|--------|-----------|
| | | | | | | | | | (m3/h) | CFM | | pcs/ctn | weight | dimension |
| AF1860B11L | DS18060ABHL | 110 | 0.7 | 50 | 60 | ball | 60 | 2650 | 618 | 363 | WIRE | 10 | 17kg | 40*21*37 |
| AF1860B22L | DS18060ABHL | 220 | 0.375 | 50 | 60 | ball | 60 | 2650 | 618 | 363 | WIRE | 10 | 17kg | 40*21*37 |
| AF1860B38L | DS18060ABHL | 380 | 0.215 | 50 | 60 | ball | 60 | 2650 | 618 | 363 | WIRE | 10 | 17kg | 40*21*37 |

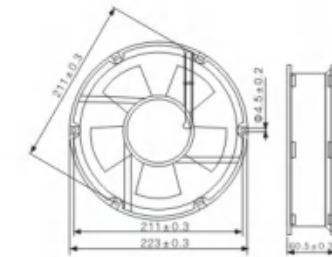


Size:200x200x60mm
 Impeller material:PBT thermoplastic black UL94-V
 Frame:Aluminum Alloy
 Motor:shaded pole induction motor
 Operation temperature:-10°C~+65°C
 Label diameter:65mm



| P/N | Model | Voltage (V) | Current (A) | Freq (HZ) | Noise (Db) | Bearing | Power (Watt) | Speed (r/min) | Air volume | | connector | Packing | | |
|------------|-------------|-------------|-------------|-----------|------------|---------|--------------|---------------|------------|-----|-----------|---------|--------|------------|
| | | | | | | | | | (m3/h) | CFM | | pcs/ctn | weight | dimension |
| AF2060B11L | DS20060ABHL | 110 | 0.78 | 50 | 65 | ball | 65 | 2550 | 680 | 400 | WIRE | 10 | 18kg | 47*24*47.2 |
| AF2060B22L | DS20060ABHL | 220 | 0.4 | 50 | 65 | ball | 65 | 2550 | 680 | 400 | WIRE | 10 | 18kg | 47*24*47.2 |
| AF2060B38L | DS20060ABHL | 380 | 0.24 | 50 | 65 | ball | 65 | 2550 | 680 | 400 | WIRE | 10 | 18kg | 47*24*47.2 |

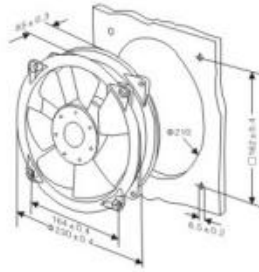
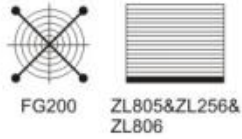
Size:220x220x60mm
 Impeller material:PBT thermoplastic black UL94-V
 Frame:Aluminum Alloy
 Motor:shaded pole induction motor
 Operation temperature:-10°C~+65°C
 Label diameter:70mm



| P/N | Model | Voltage (V) | Current (A) | Freq (HZ) | Noise (Db) | Bearing | Power (Watt) | Speed (r/min) | Air volume | | connector | Packing | | |
|------------|-------------|-------------|-------------|-----------|------------|---------|--------------|---------------|------------|-----|-----------|---------|--------|-----------|
| | | | | | | | | | (m3/h) | CFM | | pcs/ctn | weight | dimension |
| AF2260B11L | DS22060ABHL | 110 | 0.6 | 50 | 60 | ball | 50 | 2450 | 509 | 509 | WIRE | 10 | 21kg | 50*48*26 |
| AF2260B22L | DS22060ABHL | 220 | 0.33 | 50 | 60 | ball | 50 | 2450 | 509 | 509 | WIRE | 10 | 21kg | 50*48*26 |
| AF2260B38L | DS22060ABHL | 380 | 0.2 | 50 | 60 | ball | 50 | 2450 | 509 | 509 | WIRE | 10 | 21kg | 50*48*26 |

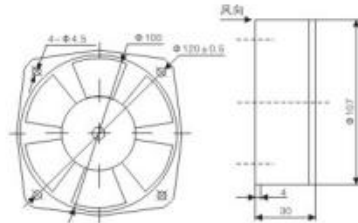


Size:230x230x65mm
 Impeller material:PBT thermoplastic black UL94-V
 Frame:Aluminum Alloy
 Motor:shaded pole induction motor
 Operation temperature:-10°C~+65°C
 Label diameter:70mm



| P/N | Model | Voltage (V) | Current (A) | Freq (HZ) | Noise (Db) | Bearing | Power | | Air volume | | connector |
|------------|-------------|-------------|-------------|-----------|------------|---------|--------|---------|------------|-----|-----------|
| | | | | | | | (Watt) | (r/min) | (m3/h) | CFM | |
| AF2365B11L | DS23065ABHL | 110 | 0.78 | 50 | 65 | ball | 65 | 2500 | 476 | 280 | WIRE |
| AF2365B22L | DS23065ABHL | 220 | 0.4 | 50 | 65 | ball | 65 | 2500 | 476 | 280 | WIRE |
| AF2365B38L | DS23065ABHL | 380 | 0.24 | 50 | 65 | ball | 65 | 2500 | 476 | 280 | WIRE |

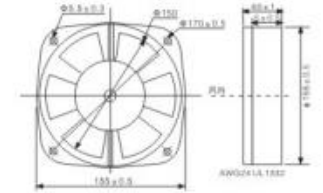
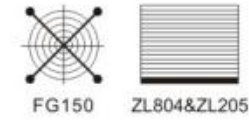
Size:107x100x30mm
 Impeller material:PBT thermoplastic black UL94-V
 Frame:Aluminum Alloy
 Motor:shaded pole induction motor
 Operation temperature:-10 65
 Label diameter:45mm



| P/N | Model | Voltage (V) | Current (A) | Freq (HZ) | Noise (Db) | Bearing | Power | | Air volume | | connector |
|------------|-----------|-------------|-------------|-----------|------------|---------|--------|---------|------------|-----|-----------|
| | | | | | | | (Watt) | (r/min) | (m3/h) | CFM | |
| AF100FS11L | 100FZY1-D | 110 | 0.14 | 50/60 | 32 | sleeve | 23w | 2500 | 78 | 47 | WIRE |
| AF100FS22L | 100FZY2-D | 220 | 0.07 | 50/60 | 32 | sleeve | 23w | 2500 | 78 | 47 | WIRE |

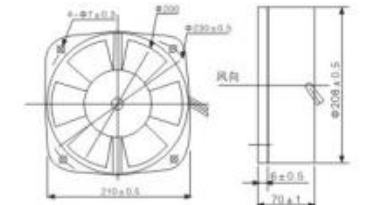
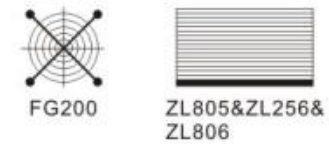


Size:160x160x60mm
 Impeller material:PBT thermoplastic black UL94-V
 Frame:Aluminum Alloy
 Motor:shaded pole induction motor
 Operation temperature:-10°C~+65°C
 Label diameter:65*30mm



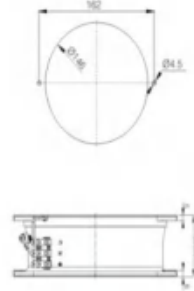
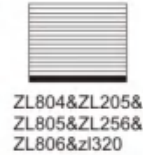
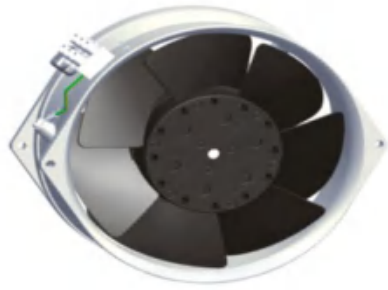
| P/N | Model | Voltage (V) | Current (A) | Freq (HZ) | Noise (Db) | Bearing | Power (Watt) | Speed (r/min) | Air volume | | connector | Packing | | |
|-----------|-------------------------------|-------------|-------------|-----------|------------|--------------|--------------|---------------|------------|-----|-----------|---------|--------|--------------|
| | | | | | | | | | (m3/h) | CFM | | pcs/ctn | weight | dimension |
| AF15F11L | 150FZY1-D | 110 | 0.25 | 50/60 | 62 | Ball bearing | 30 | 2550 | 340 | 200 | wire | 20 | 17kg | 34.5*34.5*35 |
| AF15F22L | 150FZY2-D | 220 | 0.137 | 50/60 | 62 | | 30 | 2550 | 340 | 200 | | 20 | 17kg | 34.5*34.5*35 |
| AF15F38L | 150FZY4-D 380 three phase | 380 | 0.137 | 50 | 62 | | 30 | 2550 | 340 | 200 | | 20 | 17kg | 34.5*34.5*35 |
| AF15F387L | 150FZY7-D 380 single phase | 380 | 0.09 | 50 | 32 | | 30 | 2550 | 340 | 200 | | 20 | 17kg | 34.5*34.5*35 |

Size:210*210*70mm
 Impeller material:PBT thermoplastic black UL94-V
 Frame:Aluminum Alloy
 Motor:shaded pole induction motor
 Operation temperature:-10°C~+65°C
 Label diameter:44mm



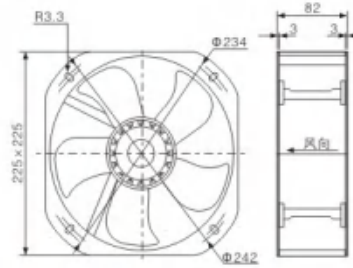
| P/N | Model | Voltage (V) | Current (A) | Freq (HZ) | Noise (Db) | Bearing | Power (Watt) | Speed (r/min) | Air volume | | connector | Packing | | |
|------------|-------------------------------|-------------|-------------|-----------|------------|--------------|--------------|---------------|------------|-----|-----------|---------|--------|------------|
| | | | | | | | | | (m3/h) | CFM | | pcs/ctn | weight | dimension |
| AF20F11L | 200FZY1-D | 110 | 0.4 | 50/60 | 67 | Ball bearing | 65 | 2550 | 790 | 465 | WIRE | 10 | 15kg | 45.5*23*42 |
| AF20F22L | 200FZY2-D | 220 | 0.2 | 50 | 67 | | 65 | 2550 | 790 | 465 | | 10 | 15kg | 45.5*23*42 |
| AF20F22L6H | 200FZY2-D | 220 | 0.17 | 60 | 65 | | 60 | 2450 | 750 | 440 | | 10 | 15kg | 45.5*23*42 |
| AF20F38L4 | 200FZY4-D 380 three phase | 380 | 0.1 | 50 | 67 | | 65 | 2550 | 790 | 465 | | 10 | 15kg | 45.5*23*42 |
| AF20F38L7 | 200FZY7-D 380 single phase | 380 | 0.1 | 50 | 67 | | 65 | 2550 | 790 | 465 | | 10 | 15kg | 45.5*23*42 |

Size:172x150x51mm
 Impeller material: Metal
 Frame:Aluminum Alloy
 Motor:shaded pole induction motor
 Operation temperature:-10°C~+65°C
 Label diameter:53mm



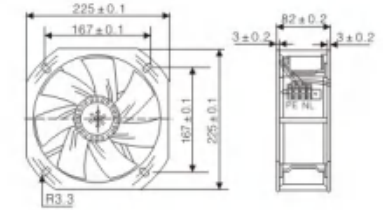
| P/N | Model | Voltage (V) | Current (A) | Freq (HZ) | Noise (Db) | Bearing | Power (Watt) | Speed (r/min) | Air volume | | connector | Packing | | |
|-------------|--------------|-------------|-------------|-----------|------------|---------|--------------|---------------|------------|-----|-----------|---------|--------|------------|
| | | | | | | | | | (m3/h) | CFM | | pcs/ctn | weight | dimension |
| AF160M11L | DS17055ABHLM | 110 | 0.52 | 50 | 49 | ball | 37 | 2650 | 320 | 189 | WIRE | 10 | 24kg | 51*26.5*56 |
| AF160M11L60 | DS17055ABHLM | | 0.43 | 60 | 53 | | 34 | 3000 | 380 | 224 | | 10 | 24kg | |
| AF160M22L | DS17055ABHLM | 220V | 0.25 | 50 | 49 | | 37 | 2650 | 320 | 189 | | 10 | 24kg | |
| AF160M22L60 | DS17055ABHLM | | 0.2 | 60 | 53 | | 34 | 3000 | 380 | 224 | | 10 | 24kg | |
| AF160M38L | DS17055ABHLM | 380V | 0.15 | 50 | 49 | | 37 | 2650 | 320 | 189 | | 10 | 24kg | |
| AF160M38L60 | DS17055ABHLM | | 0.12 | 60 | 53 | | 34 | 3000 | 380 | 224 | | 10 | 24kg | |

Size:225x225x80mm
 Impeller material: Metal
 Frame:Aluminum Alloy
 Motor:shaded pole induction motor
 Operation temperature:-10 65
 Label diameter: 70mm



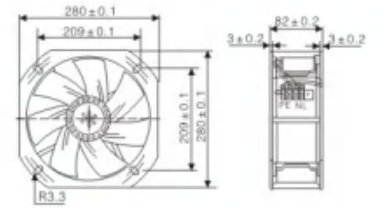
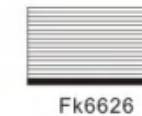
| P/N | Model | Voltage (V) | Current (A) | Freq (HZ) | Noise (Db) | Bearing | Power (Watt) | Speed (r/min) | Air volume | | connector | Packing | | |
|--------------|-----------|-----------------|------------------|-----------|------------|---------|--------------|---------------|------------|------|-----------|---------|--------|------------|
| | | | | | | | | | (m3/h) | CFM | | pcs/ctn | weight | dimension |
| AF225F11L | 200FZY1-S | 110 | 0.7 | 50 | 75 | ball | 80 | 2400 | 1200 | 705 | WIRE | 10 | 24kg | 51*26.5*56 |
| AF225F11L60F | 200FZY1-S | | 1.04 | 60 | 75 | ball | 105 | 2400 | 1200 | 705 | | 10 | 24kg | |
| AF225F22L | 200FZY2-S | 220 | 0.18 | 50 | 65 | ball | 40 | 1250 | 720 | 425 | | 10 | 24kg | |
| AF225F22LH6 | 200FZY6-S | | 0.54 | 50 | 75 | ball | 110 | 2500 | 1300 | 764 | | 10 | 24kg | |
| AF225F22H6F6 | 200FZY6-S | 0.5 | 60 | 75 | ball | 105 | 2600 | 1300 | 764 | 10 | | 24kg | | |
| AF225F38L3 | 200FZY3-S | 380 three phase | 0.1 | 50 | 75 | ball | 40 | 1250 | 720 | 425 | | 10 | 24kg | |
| AF225F38L4 | 200FZY4-S | | 380 single phase | 0.1 | 50 | 75 | ball | 40 | 1250 | 720 | | 425 | 10 | |
| AF225F11LH7 | 200FZY7-S | 380 three phase | 0.23 | 50 | 75 | ball | 110 | 2500 | 1300 | 764 | | 10 | 24kg | |
| AF225F11LH8 | 200FZY8-S | | 380 single phase | 0.23 | 50 | 75 | ball | 110 | 2500 | 1300 | | 764 | 10 | |

Size:225x225x80mm
 Impeller material: Metal
 Frame:Aluminum Alloy
 Motor:shaded pole induction motor
 Operation temperature:-10°C~+65°C
 Label diameter:70mm



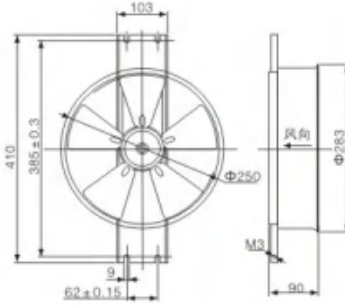
| P/N | Model | Voltage (V) | Current (A) | Freq (HZ) | Noise (Db) | Bearing | Power (Watt) | Speed (r/min) | Air volume | | connector | Packing | | |
|--------------|-------------|-------------|-------------|-----------|------------|---------|--------------|---------------|------------|-----|-----------|---------|--------|------------|
| | | | | | | | | | (m3/h) | CFM | | pcs/ctn | weight | dimension |
| AF225F9L11 | DS22580ABHL | 110 | 0.68 | 50 | 69 | ball | 105 | 2520 | 1150 | 676 | WIRE | 10 | 24kg | 51*26.5*56 |
| AF225F911F60 | DS22580ABHL | 110 | 0.68 | 60 | 69 | ball | 105 | 2520 | 1150 | 676 | | 10 | 24kg | |
| AF225F9L22 | DS22580ABHL | 220 | 0.54 | 50 | 69 | ball | 105 | 2520 | 1150 | 676 | | 10 | 24kg | |
| AF225F922F60 | DS22580ABHL | 220 | 0.5 | 60 | 69 | ball | 105 | 2520 | 1150 | 676 | | 10 | 24kg | |
| AF225F9L38 | DS22580ABHL | 380 | 0.23 | 50 | 69 | ball | 105 | 2520 | 1150 | 676 | | 10 | 24kg | |

Size:280x280x80mm
 Impeller material: Metal
 Frame:Aluminum Alloy
 Motor:shaded pole induction motor
 Operation temperature:-10°C~+65°C
 Label diameter: 70mm



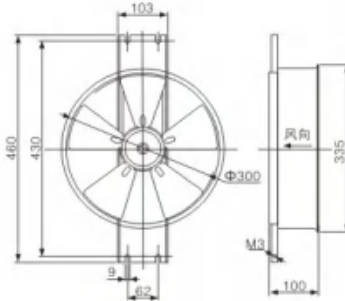
| P/N | Model | Voltage (V) | Current (A) | Freq (HZ) | Noise (Db) | Bearing | Power (Watt) | Speed (r/min) | Air volume | | connector | Packing | | |
|-------------|-------------|-------------|-------------|-----------|------------|---------|--------------|---------------|------------|------|-----------|---------|--------|------------|
| | | | | | | | | | (m3/h) | CFM | | pcs/ctn | weight | dimension |
| AF280FL11 | DS28083ABHL | 110 | 0.7 | 50 | 69 | ball | 115 | 2400 | 1800 | 1060 | WIRE | 10 | 14kg | 54.5*33*36 |
| AF280F11F60 | DS28083ABHL | 110 | 0.7 | 60 | 69 | ball | 115 | 2400 | 1800 | 1060 | | 10 | 14kg | |
| AF280FL22 | DS28083ABHL | 220 | 0.5 | 50 | 69 | ball | 115 | 2400 | 1800 | 1060 | | 10 | 14kg | |
| AF280F22F60 | DS28083ABHL | 220 | 0.5 | 60 | 69 | ball | 115 | 2400 | 1800 | 1060 | | 10 | 14kg | |
| AF280FL38 | DS28083ABHL | 380 | 0.23 | 50 | 69 | ball | 115 | 2400 | 1800 | 1060 | | 10 | 14kg | |

Size:250x410x90mm
 Impeller material: Metal
 Frame: Aluminum Alloy
 Motor: shaded pole induction motor
 Operation temperature: -10°C~+65°C



| P/N | Model | Voltage (V) | Current (A) | Freq (HZ) | Noise (Db) | Bearing | Power (Watt) | Speed (r/min) | Air volume | | connector | Packing | | |
|---------------|-----------|-------------|-------------|-----------|------------|---------|--------------|---------------|------------|-----|-----------|---------|--------|-----------|
| | | | | | | | | | (m3/h) | CFM | | pcs/ctn | weight | dimension |
| AF250R11 | 250FZY1-D | 110 | 0.36 | 50 | 60 | ball | 40 | 1300 | 633 | 376 | 1 | 5 | 15kg | 56*43*31 |
| AF250R11F60 | 250FZY1-D | 110 | 0.36 | 60 | 60 | ball | 40 | 1300 | 633 | 376 | 1 | 5 | 15kg | 56*43*31 |
| AF250R22 | 250FZY2-D | 220 | 0.36 | 50 | 60 | ball | 40 | 1300 | 633 | 376 | 1 | 5 | 15kg | 56*43*31 |
| AF250R22F60 | 250FZY2-D | 220 | 0.36 | 60 | 60 | ball | 40 | 1300 | 633 | 376 | 1 | 5 | 15kg | 56*43*31 |
| AF250R383 | 250FZY3-D | 380 | 0.1 | 50 | 60 | ball | 40 | 1300 | 633 | 376 | 3 | 5 | 15kg | 56*43*31 |
| AF250R384 | 250FZY4-D | 380 | 0.1 | 50 | 60 | ball | 40 | 1300 | 633 | 376 | 1 | 5 | 15kg | 56*43*31 |
| AF250R22H6 | 250FZY6-D | 220V | 0.55 | 50 | 72 | ball | 110 | 2550 | 1266 | 753 | 1 | 5 | 15kg | 56*43*31 |
| AF250R22H6F60 | 250FZY6-D | 220V | 0.55 | 50 | 72 | ball | 110 | 2550 | 1266 | 753 | 1 | 5 | 15kg | 56*43*31 |
| AF250R38H7 | 250FZY7-D | 380V | 0.2 | 50 | 72 | ball | 110 | 2550 | 1266 | 753 | 3 | 5 | 15kg | 56*43*31 |
| AF250R38H8 | 250FZY8-D | 380V | 0.2 | 50 | 72 | ball | 110 | 2550 | 1266 | 753 | 1 | 5 | 15kg | 56*43*31 |

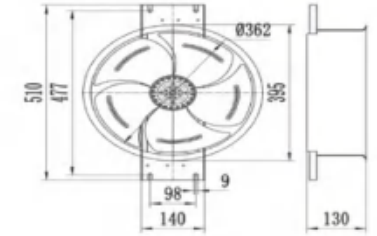
Size:300x460x100mm
 Impeller material: Metal
 Frame: Aluminum Alloy
 Motor: shaded pole induction motor
 Operation temperature: -10°C~+65°C



| P/N | Model | Voltage (V) | Current (A) | Freq (HZ) | Noise (Db) | Bearing | Power (Watt) | Speed (r/min) | Air volume | | connector | Packing | | |
|---------------|-----------|-------------|-------------|-----------|------------|---------|--------------|---------------|------------|------|-----------|---------|----------|-----------|
| | | | | | | | | | (m3/h) | CFM | | pcs/ctn | weight | dimension |
| AF300R11 | 300FZY1-D | 110 | 0.8 | 50 | 60 | ball | 80 | 1300 | 1137 | 668 | terminal | 5 | 18kg | 60*47*36 |
| AF300R11F60 | 300FZY1-D | 110 | 0.8 | 60 | 60 | ball | 80 | 1300 | 1137 | 668 | | 5 | 18kg | 60*47*36 |
| AF300R22 | 300FZY2-D | 220 | 0.4 | 50 | 60 | ball | 80 | 1300 | 1137 | 668 | | 5 | 18kg | 60*47*36 |
| AF300R22F60 | 300FZY2-D | 220 | 0.4 | 60 | 60 | ball | 80 | 1300 | 1137 | 668 | | 5 | 18kg | 60*47*36 |
| AF300R383 | 300FZY3-D | 380 | 0.2 | 50 | 60 | ball | 80 | 1300 | 1137 | 668 | | 5 | 18kg | 60*47*36 |
| AF300R384 | 300FZY4-D | 380 | 0.2 | 50 | 60 | ball | 80 | 1300 | 1137 | 668 | | 5 | 18kg | 60*47*36 |
| AF300R22H6 | 300FZY6-D | 220V | 1.9 | 50 | 72 | ball | 160 | 2550 | 2200 | 1294 | | 5 | 18kg | 60*47*36 |
| AF300R22H6F60 | 300FZY6-D | 220V | 0.95 | 50 | 72 | ball | 160 | 2550 | 2200 | 1294 | | 5 | 18kg | 60*47*36 |
| AF300R38H7 | 300FZY7-D | 380V | 0.35 | 50 | 72 | ball | 160 | 2550 | 2200 | 1294 | 5 | 18kg | 60*47*36 | |
| AF300R38H8 | 300FZY8-D | 380V | 0.35 | 50 | 72 | ball | 160 | 2550 | 2200 | 1294 | 5 | 18kg | 60*47*36 | |

Size:395mmx130mm
 Airflow:2100-3120m3/hr
 1235-1836CFM
 Weight:5950g
 Noise:56-65dBA
 Impeller Material: Metal

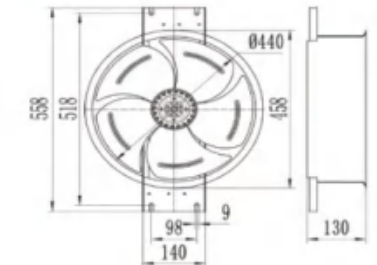
Frame: Metal
 Terminals:0.5mm
 LeadWire:Teflon 18#UL 1332(Optional)
 Motor:Capacitor-Run Induction Motor
 Operation temperature:-10°C~+105°C



| Model | Bearing System | Voltage VAC | Freq.Hz | Current A | Power W | Speed RPM | Noise dBA | Air Flow | | Phase | Capacitor |
|-----------|----------------|-------------|---------|-----------|---------|-----------|-----------|-----------|-----------|-------|------------|
| | | | | | | | | M3/hr | CFM | | |
| 350FZY2-D | Ball | 200/240 | 50/60 | 0.7 | 150 | 1360/1500 | 62/65 | 2880-3120 | 1659/1836 | 1 | 4.0uf/500v |
| 350FZY3-D | | 380/420 | 50/60 | 0.35 | 150 | 1360/1500 | 62/65 | 2880-3120 | 1659/1836 | 3 | / |
| 350FZY4-D | | 380/420 | 50/60 | 0.4 | 150 | 1360/1500 | 62/65 | 2880-3120 | 1659/1836 | 1 | 2.2uf/630V |

Size: 475mm x 130mm
 Airflow: 3360-4400m3/hr
 1977-2589CFM
 Weight: 6800g
 Noise: 58-70dBA
 Impeller Material: Metal

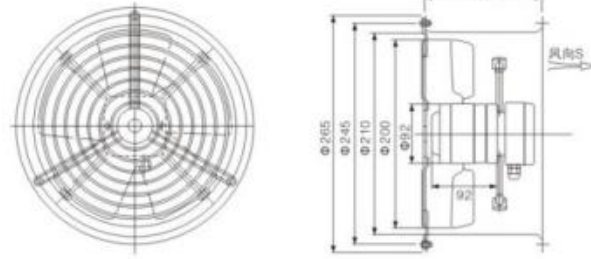
Frame: Metal
 Terminals:0.5mm
 Lead Wire: Teflon 18#UL 1332(Optional)
 Motor: Capacitor-Run Induction Motor
 Operating Temperature: -10°C~+105°C



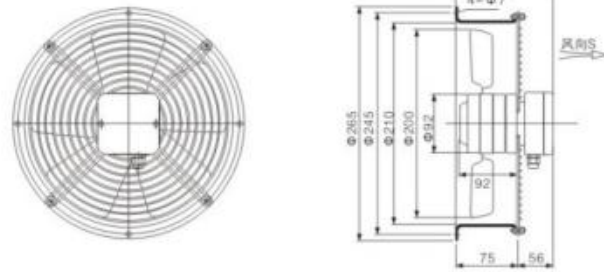
| Model | Bearing System | Voltage VAC | Freq.Hz | Current A | Power W | Speed RPM | Noise dBA | Air Flow | | Phase | Capacitor |
|-----------|----------------|-------------|---------|-----------|---------|-----------|-----------|-----------|-----------|-------|------------|
| | | | | | | | | M3/hr | CFM | | |
| 400FZY2-D | Ball | 200/240 | 50/60 | 0.8 | 180 | 1400/1560 | 68/70 | 4080/4400 | 2400/2589 | 1 | 6.0uf/500v |
| 400FZY3-D | | 380/420 | 50/60 | 0.4 | 180 | 1400/1560 | 68/70 | 4080/4400 | 2400/2589 | 3 | / |
| 400FZY4-D | | 380/420 | 50/60 | 0.45 | 180 | 1400/1560 | 68/70 | 4080/4400 | 2400/2589 | 1 | 3.0uf/630V |



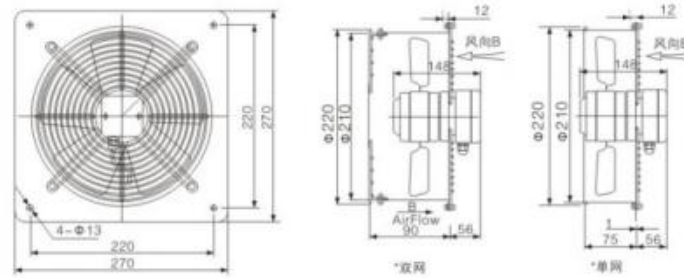
Long tube type



Short tube type



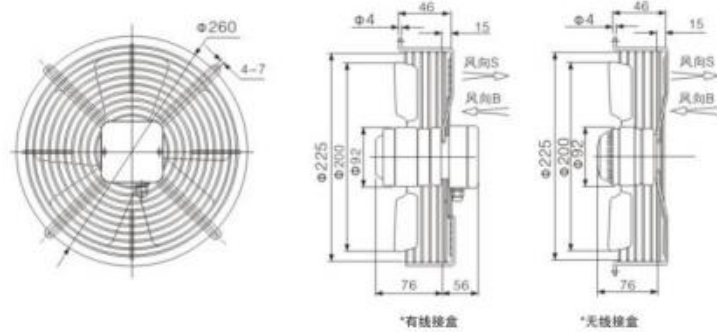
Square type



注：三相可以不带接线盒，直接电缆引出，单相也可根据客户需要接线盒外挂或者不带接线盒



Mesh enclosure type



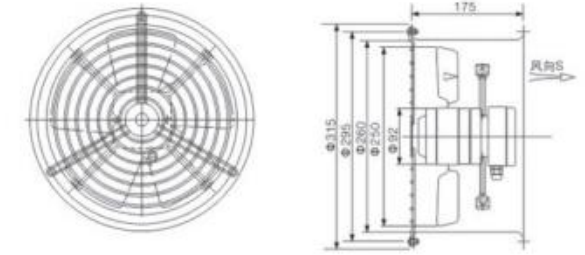
Specification

| Model | Rated voltage (V) | Frequency (Hz) | Current (A) | Input power (W) | Highest speed (r/min) | Volume (m ³ /h) | Pressure (pa) | Noise db(A) | Capacitor μF |
|-----------|-------------------|----------------|-------------|-----------------|-----------------------|----------------------------|---------------|-------------|--------------|
| YWF2D-200 | 380 | 50 | 0.25 | 80 | 2700 | 1080 | 122 | 57 | - |
| YWF2E-200 | 220 | 50 | 0.30 | 70 | 2650 | 1050 | 120 | 56 | 2.5 |

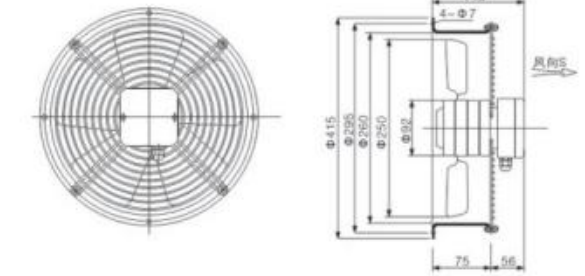
We will not inform you if we change the data in the form



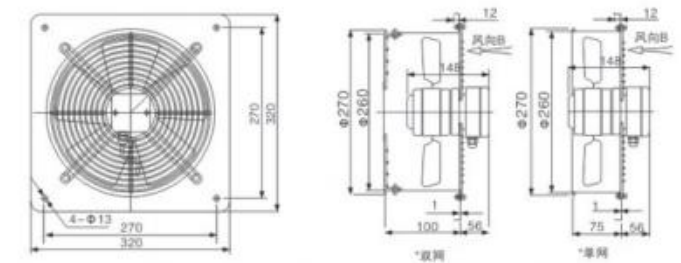
Long tube type



Short tube type



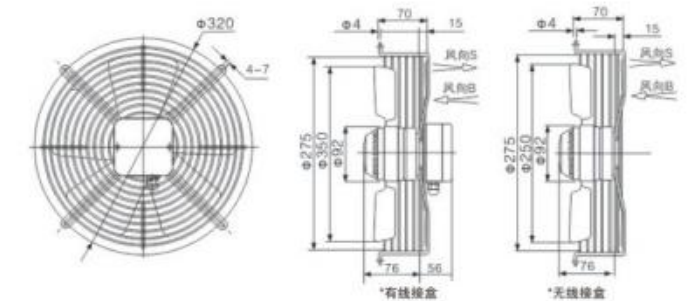
Square type



注：三相可以不带接线盒，直接电缆引出，单相也可根据客户需要接线盒外挂或者不带接线盒



Mesh enclosure type



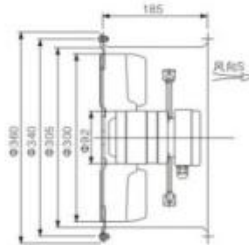
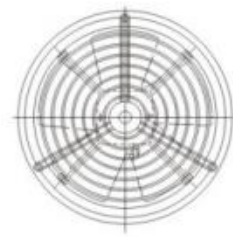
Specification

| Model | Rated voltage (V) | Frequency (Hz) | Current (A) | Input power (W) | Highest speed (r/min) | Volume (m ³ /h) | Pressure (pa) | Noise db(A) | Capacitor μF |
|-----------|-------------------|----------------|-------------|-----------------|-----------------------|----------------------------|---------------|-------------|--------------|
| YWF2D-250 | 380 | 50 | 0.25 | 110 | 2650 | 1850 | 192 | 65 | 2.4 |
| YWF2E-250 | 220 | 50 | 0.53 | 110 | 2550 | 1800 | 190 | 65 | 4 |
| YWF4D-250 | 380 | 50 | 0.23 | 40 | 1450 | 1250 | 60 | 55 | 1.0 |
| YWF4E-250 | 220 | 50 | 0.30 | 40 | 1440 | 1230 | 60 | 55 | 1.0 |

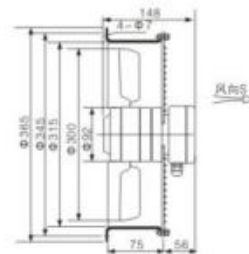
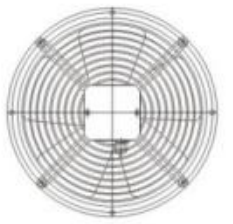
We will not inform you if we change the data in the form



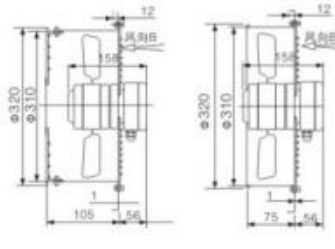
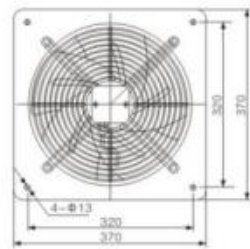
Long tube type



Short tube type



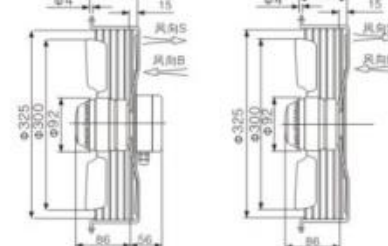
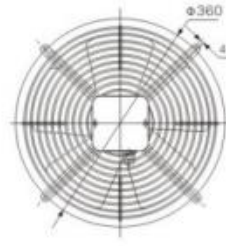
Square type



注：三相可以不带接线盒，直接电缆引出，单相也可根据客户需要接线盒外挂或者不带接线盒



Mesh enclosure type



*有线接盒 *无线接盒

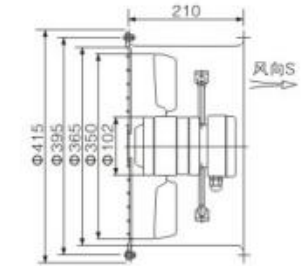
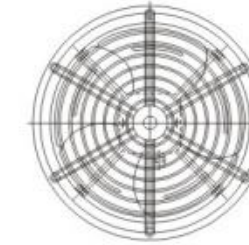
Specification

| Model | Rated voltage (V) | Frequency (Hz) | Current (A) | Input power (W) | Rated speed (r/min) | Volume (m ³ /h) | Pressure (pa) | Noise db(A) | Capacitor μ F |
|-----------|-------------------|----------------|-------------|-----------------|---------------------|----------------------------|---------------|-------------|-------------------|
| YWF2D-300 | 380 | 50 | 0.28 | 160 | 2480 | 3250 | 205 | 66 | 2.4 |
| YWF2E-300 | 220 | 50 | 0.80 | 160 | 2550 | 3300 | 210 | 66 | 4.0 |
| YWF4D-300 | 380 | 50 | 0.28 | 80 | 1335 | 1500 | 180 | 59 | 1.0 |
| YWF4E-300 | 220 | 50 | 0.80 | 80 | 1335 | 1500 | 180 | 59 | 2.4 |

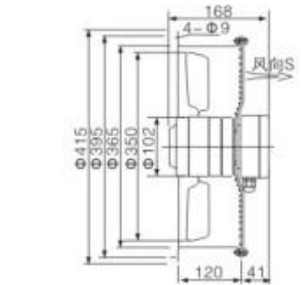
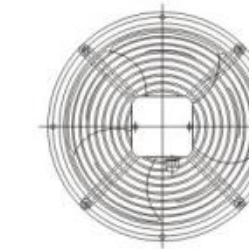
We wil not inform vou if we change the data in the form



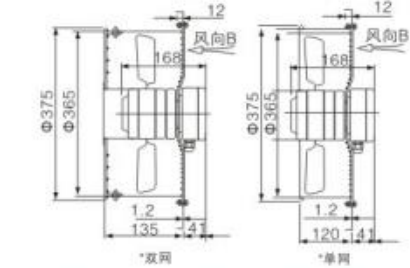
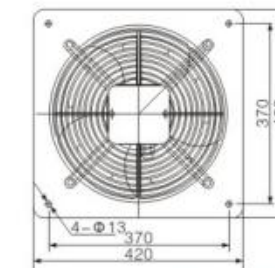
Long tube type



Short tube type



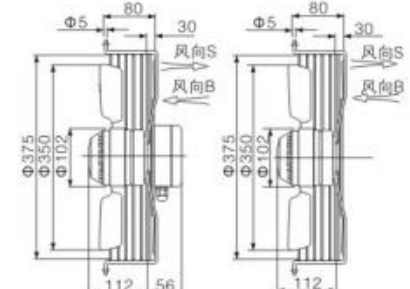
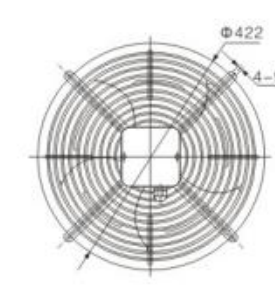
Square type



注：三相可以不带接线盒，直接电缆引出，单相也可根据客户需要接线盒外挂或者不带接线盒



Mesh enclosure type



*有线接盒 *无线接盒

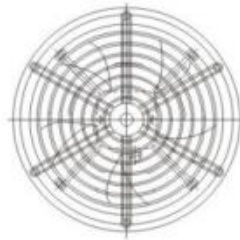
Specification

| Model | Rated voltage (V) | Frequency (Hz) | Current (A) | Input power (W) | Rated speed (r/min) | Volume (m ³ /h) | Pressure (pa) | Noise db(A) | Capacitor μ F |
|-----------|-------------------|----------------|-------------|-----------------|---------------------|----------------------------|---------------|-------------|-------------------|
| YWF4D-350 | 380 | 50 | 0.72 | 135 | 2450 | 4850 | 225 | 73 | -- |
| YWF4E-350 | 220 | 50 | 1.80 | 135 | 2450 | 4700 | 223 | 72 | 10 |

We wil not inform vou if we change the data in the form



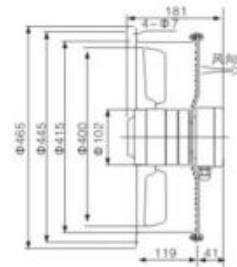
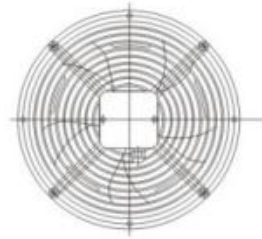
Long tube type



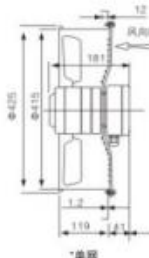
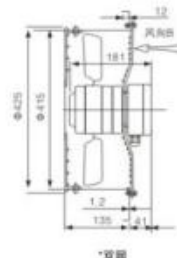
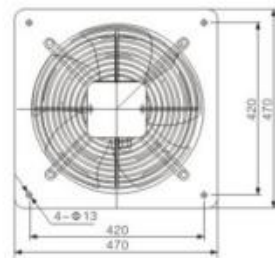
注：2级筒高225mm



Short tube type



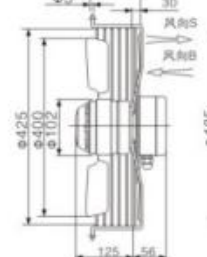
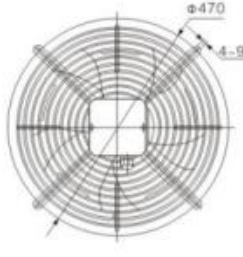
Square type



注：三相可以不带接线盒，直接电缆引出，单相也可根据客户需要接线盒外挂或者不带接线盒



Mesh enclosure type



*有铁接盒 *无铁接盒

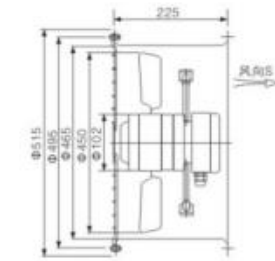
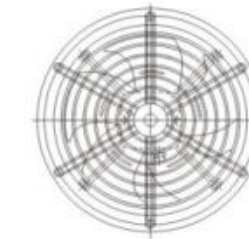
Specification

| Model | Ratde voltage (V) | Frequency (Hz) | Current (A) | Input power (W) | Highest speed (r/min) | vol ume (m3/h) | Pressure (pa) | Noise db(A) | Capacitor μ F |
|-----------|-------------------|----------------|-------------|-----------------|-----------------------|----------------|---------------|-------------|---------------|
| YWF4D-400 | 380 | 50 | 0.60 | 180 | 1400 | 4800 | 125 | 68 | - |
| YWF4E-400 | 220 | 50 | 0.90 | 190 | 1400 | 4800 | 125 | 68 | 6 |

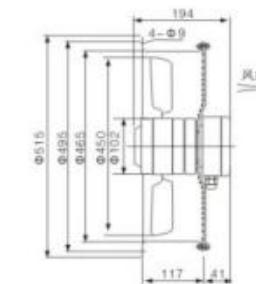
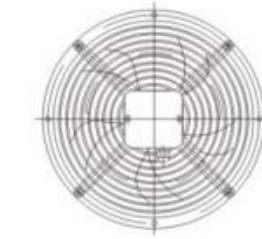
We wil not inform vou if we change the data in the form



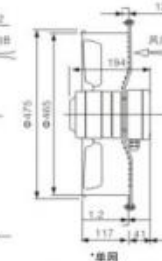
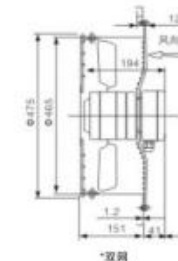
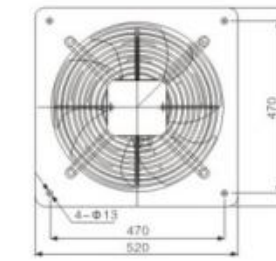
Long tube type



Short tube type



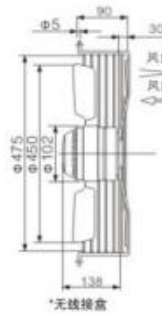
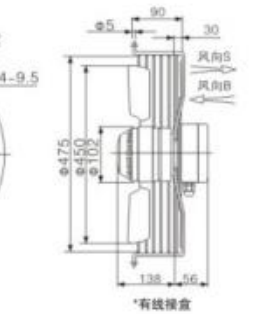
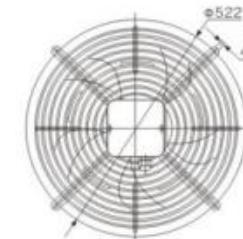
Square type



注：三相可以不带接线盒，直接电缆引出，单相也可根据客户需要接线盒外挂或者不带接线盒



Mesh enclosure type



*有铁接盒

*无铁接盒

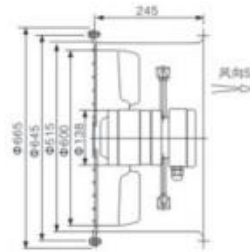
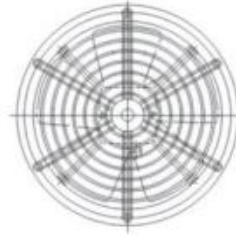
Specification

| Model | Ratde voltage (V) | Frequency (Hz) | Current (A) | Input power (W) | Highest speed (r/min) | vol ume (m3/h) | Pressure (pa) | Noise db(A) | Capacitor μ F |
|-----------|-------------------|----------------|-------------|-----------------|-----------------------|----------------|---------------|-------------|---------------|
| YWF4D-450 | 380 | 50 | 0.53 | 210 | 1390 | 5410 | 155 | 70 | - |
| YWF4E-450 | 220 | 50 | 1.25 | 280 | 1380 | 5380 | 150 | 69 | 10 |
| YWF6D-450 | 380 | 50 | 0.42 | 155 | 950 | 4650 | 100 | 60 | - |
| YWF6E-450 | 220 | 50 | 0.85 | 165 | 950 | 4650 | 100 | 60 | 8 |

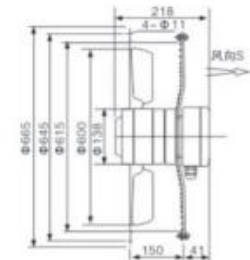
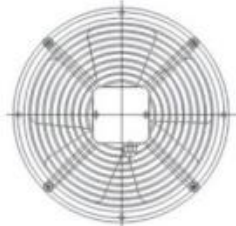
We wil not inform vou if we change the data in the form



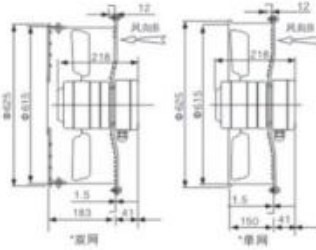
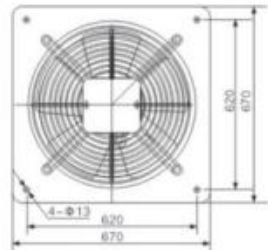
Long tube type



Short tube type



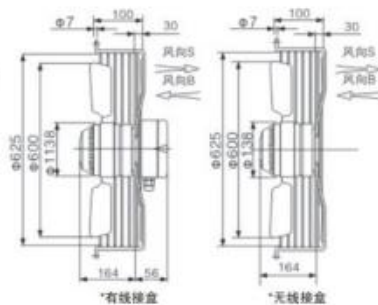
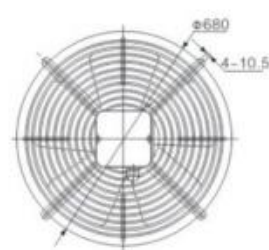
Square type



注：三相可以不带接线盒，直接电缆线引出，单相也可根据客户需要接线盒外挂或者不带接线盒



Mesh enclosure type

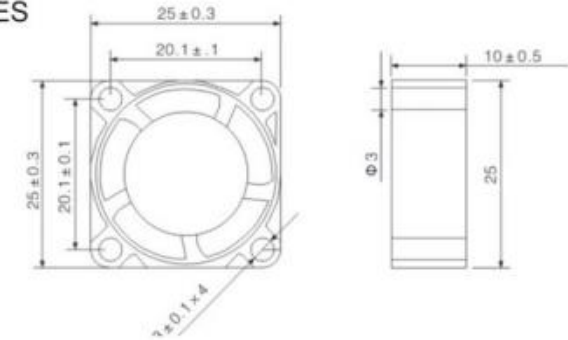


Specification

| Model | Rated voltage (V) | Frequency (Hz) | Current (A) | Input power (W) | Highest speed (r/min) | volume (m ³ /h) | Pressure (pa) | Noise db(A) | Capacitor μ F |
|-----------|-------------------|----------------|-------------|-----------------|-----------------------|----------------------------|---------------|-------------|---------------|
| YWF4D-600 | 380 | 50 | 1.55 | 680 | 1380 | 13000 | 230 | 75 | - |
| YWF4E-600 | 220 | 50 | 3.25 | 750 | 1380 | 13000 | 230 | 75 | 15 |
| YWF6D-600 | 380 | 50 | 1.20 | 360 | 930 | 9600 | 150 | 70 | - |
| YWF6E-600 | 220 | 50 | 1.40 | 450 | 900 | 9500 | 150 | 70 | 10 |

We will not inform you if we change the data in the form

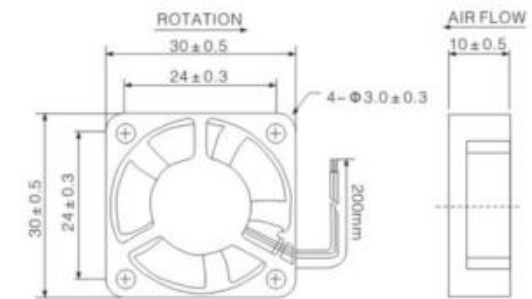
DC AXIAL FAN:25X25X10mm SERIES



Specification

| Model | Bearing | Rated voltage | Rated current | Rated input power | Nominal speed | Air flow | | Air pressure | | Noise | Weight |
|--------------|-------------|---------------|---------------|-------------------|---------------|----------|-----------------------|-----------------------|-------------------------|-------|--------|
| | | (V) | (A) | (W) | (RPM) | (CFM) | (m ³ /min) | (mm/H ₂ O) | (inch-H ₂ O) | (dBA) | (g) |
| DF2510L05 | sleeve/ball | 5 | 0.09 | 0.45 | 7000 | 1.21 | 0.034 | 2.18 | 0.085 | 19.6 | 6.8 |
| DF2510L12 | sleeve/ball | 12 | 0.13 | 0.36 | 7000 | 1.21 | 0.034 | 2.18 | 0.085 | 19.6 | |
| DF2510M05 | sleeve/ball | 5 | 0.03 | 0.65 | 10000 | 1.99 | 0.056 | 4.48 | 0.176 | 22.8 | |
| DF2510M12 | sleeve/ball | 12 | 0.05 | 0.6 | 10000 | 1.99 | 0.056 | 4.48 | 0.176 | 22.8 | |
| DF2510H05 | sleeve/ball | 5 | 0.17 | 0.85 | 12000 | 2.38 | 0.067 | 7.37 | 0.290 | 25.2 | |
| DF2510H12 | sleeve/ball | 12 | 0.08 | 0.96 | 12000 | 2.38 | 0.067 | 7.37 | 0.290 | 25.2 | |
| DF2510H05-HH | sleeve/ball | 5 | 0.28 | 1.15 | 15000 | 2.98 | 0.084 | 7.98 | 0.314 | 28.9 | |
| DF2510H12-HH | sleeve/ball | 12 | 0.1 | 1.2 | 15000 | 2.98 | 0.084 | 7.98 | 0.314 | 28.9 | |

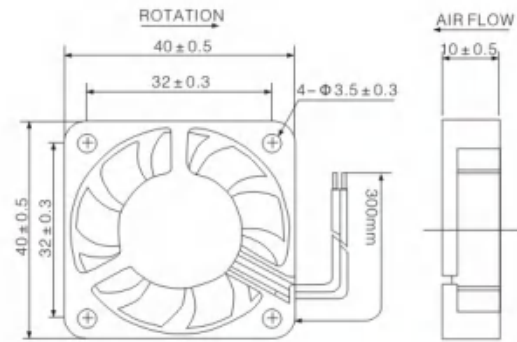
FU3010 Size:30 x 30 x10mm



Specification

| Model | Bearing | Rated voltage | Rated current | Rated input power | Nominal speed | Air flow | | Air pressure | | Noise | Weight |
|---------------|-------------|---------------|---------------|-------------------|---------------|----------|-----------------------|-----------------------|-------------------------|-------|--------|
| | | (V) | (A) | (W) | (RPM) | (CFM) | (m ³ /min) | (mm/H ₂ O) | (inch-H ₂ O) | (dBA) | (g) |
| DF3010B(S)5H | sleeve/ball | 5 | 0.15 | 0.75 | 10000 | 4.10 | 0.11 | 4.52 | 0.18 | 29.0 | 8 |
| DF3010B(S)5H | sleeve/ball | 5 | 0.12 | 0.60 | 8000 | 3.27 | 0.09 | 3.57 | 0.14 | 23.0 | |
| DF3010B(S)5L | sleeve/ball | 5 | 0.10 | 0.50 | 6000 | 2.46 | 0.07 | 2.00 | 0.08 | 18.0 | |
| DF3010B(S)12H | sleeve/ball | 12 | 0.12 | 1.44 | 10000 | 4.10 | 0.11 | 4.52 | 0.18 | 29.0 | |
| DF3010B(S)12M | sleeve/ball | 12 | 0.10 | 1.20 | 8000 | 3.27 | 0.09 | 3.57 | 0.14 | 23.0 | |
| DF3010B(S)12L | sleeve/ball | 12 | 0.08 | 0.96 | 6000 | 2.46 | 0.07 | 3.00 | 0.12 | 18.0 | |

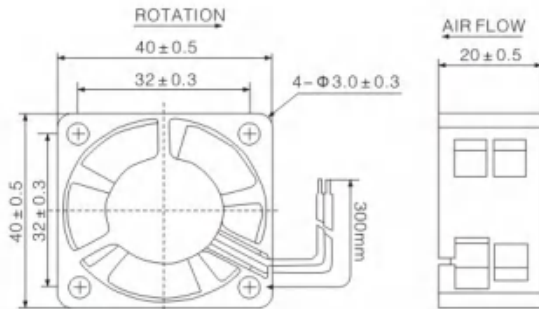
FU4010 Size:40 x 40 x 10mm



Specification

| Model | Bearing | Rated voltage | Rated current | Rated input power | Nominal speed | Air flow | | Air pressure | | Noise | Weight |
|---------------|-------------|---------------|---------------|-------------------|---------------|----------|-----------------------|-----------------------|-------------------------|-------|--------|
| | | (V) | (A) | (W) | | (CFM) | (m ³ /min) | (mm/H ₂ O) | (inch-H ₂ O) | | |
| DF4010B(S)5H | sleeve/ball | 5 | 0.28 | 1.40 | 7000 | 6.66 | 0.19 | 4.55 | 0.18 | 28.0 | 18 |
| DF4010B(S)5M | sleeve/ball | 5 | 0.25 | 1.25 | 6000 | 5.75 | 0.16 | 3.55 | 0.14 | 24.0 | |
| DF4010B(S)5L | sleeve/ball | 5 | 0.2 | 1.0 | 5000 | 4.85 | 0.14 | 2.52 | 0.09 | 20.0 | |
| DF4010B(S)12H | sleeve/ball | 12 | 0.12 | 1.44 | 7000 | 6.66 | 0.19 | 4.55 | 0.18 | 28.0 | |
| DF4010B(S)12M | sleeve/ball | 12 | 0.10 | 1.2 | 6000 | 5.75 | 0.16 | 3.55 | 0.14 | 24.0 | |
| DF4010B(S)12L | sleeve/ball | 12 | 0.06 | 0.72 | 5000 | 4.85 | 0.14 | 2.52 | 0.09 | 20.0 | |
| DF4010B(S)24H | sleeve/ball | 24 | 0.06 | 1.44 | 7000 | 6.66 | 0.19 | 4.55 | 0.18 | 28.0 | |
| DF4010B(S)24M | sleeve/ball | 24 | 0.05 | 1.2 | 6000 | 5.75 | 0.16 | 3.55 | 0.14 | 24.0 | |
| DF4010B(S)24L | sleeve/ball | 24 | 0.04 | 0.96 | 5000 | 4.85 | 0.14 | 2.52 | 0.09 | 20.0 | |

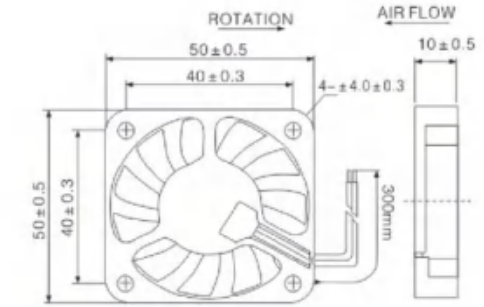
FU4020 Size:40 x 40 x 20mm



Specification

| Model | Bearing | Rated voltage | Rated current | Rated input power | Nominal speed | Air flow | | Air pressure | | Noise | Weight |
|---------------|-------------|---------------|---------------|-------------------|---------------|----------|-----------------------|-----------------------|-------------------------|-------|--------|
| | | (V) | (A) | (W) | | (CFM) | (m ³ /min) | (mm/H ₂ O) | (inch-H ₂ O) | | |
| DF4020B(S)5H | sleeve/ball | 5 | 0.28 | 1.40 | 7500 | 8.85 | 0.25 | 5.25 | 0.21 | 30.0 | 25 |
| DF4020B(S)5M | sleeve/ball | 5 | 0.25 | 1.25 | 6500 | 7.45 | 0.21 | 4.50 | 0.18 | 28.0 | |
| DF4020B(S)5L | sleeve/ball | 5 | 0.2 | 1.0 | 5500 | 6.42 | 0.18 | 3.52 | 0.14 | 26.0 | |
| DF4020B(S)12H | sleeve/ball | 12 | 0.12 | 1.44 | 7500 | 8.85 | 0.25 | 5.25 | 0.21 | 30.0 | |
| DF4020B(S)12M | sleeve/ball | 12 | 0.1 | 1.2 | 6500 | 7.45 | 0.21 | 4.50 | 0.18 | 28.0 | |
| DF4020B(S)12L | sleeve/ball | 12 | 0.06 | 0.72 | 5500 | 6.42 | 0.18 | 3.52 | 0.14 | 26.0 | |
| DF4020B(S)24H | sleeve/ball | 24 | 0.06 | 1.44 | 7500 | 8.85 | 0.25 | 5.25 | 0.21 | 30.0 | |
| DF4020B(S)24M | sleeve/ball | 24 | 0.05 | 1.2 | 6500 | 7.45 | 0.21 | 4.50 | 0.18 | 28.0 | |
| DF4020B(S)24L | sleeve/ball | 24 | 0.04 | 0.96 | 5500 | 6.42 | 0.18 | 3.52 | 0.14 | 26.0 | |

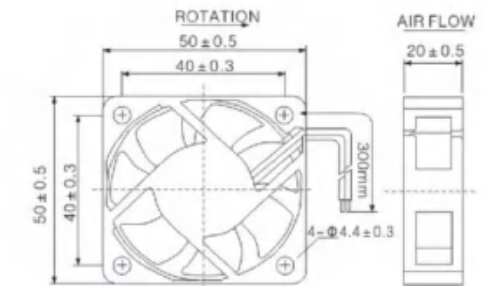
FU5010 Size:50 x 50 x 10mm



Specification

| Model | Bearing | Rated voltage | Rated current | Rated input power | Nominal speed | Air flow | | Air pressure | | Noise | Weight |
|---------------|-------------|---------------|---------------|-------------------|---------------|----------|-----------------------|-----------------------|-------------------------|-------|--------|
| | | (V) | (A) | (W) | | (CFM) | (m ³ /min) | (mm/H ₂ O) | (inch-H ₂ O) | | |
| DF5010B(S)5H | sleeve/ball | 5 | 0.3 | 1.5 | 5300 | 10.20 | 0.29 | 3.65 | 0.14 | 33.0 | 18 |
| DF5010B(S)5M | sleeve/ball | 5 | 0.20 | 1.00 | 4500 | 9.15 | 0.26 | 2.75 | 0.11 | 27.0 | |
| DF5010B(S)5L | sleeve/ball | 5 | 0.14 | 0.70 | 3400 | 7.20 | 0.20 | 2.02 | 0.08 | 21.0 | |
| DF5010B(S)12H | sleeve/ball | 12 | 0.16 | 1.92 | 5300 | 10.20 | 0.29 | 3.65 | 0.14 | 33.0 | |
| DF5010B(S)12M | sleeve/ball | 12 | 0.08 | 0.96 | 4500 | 9.15 | 0.26 | 2.75 | 0.11 | 27.0 | |
| DF5010B(S)12L | sleeve/ball | 12 | 0.07 | 0.84 | 3500 | 7.20 | 0.20 | 2.02 | 0.08 | 21.0 | |
| DF5010B(S)24H | sleeve/ball | 24 | 0.09 | 2.16 | 6000 | 10.20 | 0.29 | 3.65 | 0.14 | 33.0 | |
| DF5010B(S)24M | sleeve/ball | 24 | 0.07 | 1.68 | 5000 | 9.15 | 0.26 | 2.75 | 0.11 | 27.0 | |
| DF5010B(S)24L | sleeve/ball | 24 | 0.05 | 1.20 | 4000 | 7.20 | 0.20 | 2.02 | 0.08 | 21.0 | |

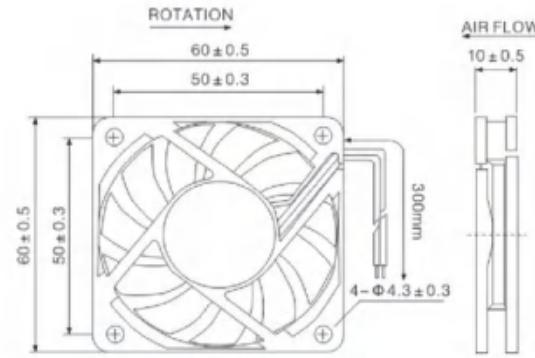
FU5010 Size:50 x 50 x 20mm



Specification

| Model | Bearing | Rated voltage | Rated current | Rated input power | Nominal speed | Air flow | | Air pressure | | Noise | Weight |
|---------------|-------------|---------------|---------------|-------------------|---------------|----------|-----------------------|-----------------------|-------------------------|-------|--------|
| | | (V) | (A) | (W) | | (CFM) | (m ³ /min) | (mm/H ₂ O) | (inch-H ₂ O) | | |
| DF5020B(S)5H | sleeve/ball | 5 | 0.33 | 1.65 | 5500 | 12.25 | 0.34 | 5.43 | 0.21 | 35.0 | 25 |
| DF5020B(S)5M | sleeve/ball | 5 | 0.25 | 1.25 | 5000 | 10.20 | 0.29 | 3.65 | 0.14 | 32.0 | |
| DF5020B(S)5L | sleeve/ball | 5 | 0.20 | 1.0 | 4500 | 8.25 | 0.23 | 2.30 | 0.09 | 26.0 | |
| DF5020B(S)12H | sleeve/ball | 12 | 0.16 | 1.92 | 5500 | 12.25 | 0.34 | 5.43 | 0.21 | 35.0 | |
| DF5020B(S)12M | sleeve/ball | 12 | 0.14 | 1.68 | 5000 | 10.20 | 0.29 | 3.65 | 0.14 | 32.0 | |
| DF5020B(S)12L | sleeve/ball | 12 | 0.12 | 1.44 | 4500 | 8.25 | 0.23 | 2.30 | 0.09 | 26.0 | |
| DF5020B(S)24H | sleeve/ball | 24 | 0.10 | 2.40 | 6000 | 12.25 | 0.34 | 5.43 | 0.21 | 35.0 | |
| DF5020B(S)24M | sleeve/ball | 24 | 0.08 | 1.92 | 5000 | 10.20 | 0.29 | 3.65 | 0.14 | 32.0 | |
| DF5020B(S)24L | sleeve/ball | 24 | 0.06 | 1.44 | 4000 | 8.25 | 0.23 | 2.30 | 0.09 | 26.0 | |

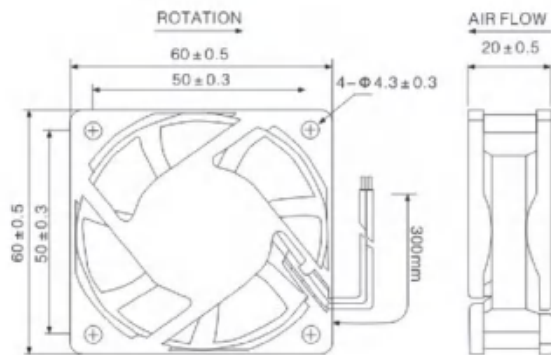
FU6010 Size:60 x 60 x10mm



Specification

| Model | Bearing | Rated voltage | Rated current | Rated input power | Nominal speed | Air flow | | Air pressure | | Noise | Weight |
|---------------|-------------|---------------|---------------|-------------------|---------------|----------|-----------------------|-----------------------|-------------------------|-------|--------|
| | | (V) | (A) | (W) | | (CFM) | (m ³ /min) | (mm/H ₂ O) | (inch-H ₂ O) | | |
| DF6010B(S)5H | sleeve/ball | 5 | 0.35 | 1.65 | 4200 | 15.02 | 0.43 | 1.92 | 0.08 | 28.0 | 25 |
| DF6010B(S)5M | sleeve/ball | 5 | 0.20 | 1.10 | 3600 | 13.15 | 0.37 | 1.72 | 0.07 | 27.0 | |
| DF6010B(S)5L | sleeve/ball | 5 | 0.17 | 0.85 | 3000 | 11.25 | 0.32 | 1.46 | 0.06 | 26.0 | |
| DF6010B(S)12H | sleeve/ball | 12 | 0.26 | 2.64 | 4200 | 20.25 | 0.57 | 2.55 | 0.10 | 38.0 | |
| DF6010B(S)12M | sleeve/ball | 12 | 0.17 | 2.04 | 3600 | 16.85 | 0.47 | 2.15 | 0.08 | 33.0 | |
| DF6010B(S)12L | sleeve/ball | 12 | 0.14 | 1.68 | 3000 | 13.15 | 0.37 | 1.72 | 0.07 | 27.0 | |
| DF6010B(S)24H | sleeve/ball | 24 | 0.11 | 2.64 | 4200 | 15.02 | 0.42 | 1.92 | 0.08 | 28.0 | |
| DF6010B(S)24M | sleeve/ball | 24 | 0.09 | 2.16 | 3600 | 13.15 | 0.37 | 1.72 | 0.07 | 27.0 | |
| DF6010B(S)24L | sleeve/ball | 24 | 0.07 | 1.68 | 3000 | 11.25 | 0.32 | 1.46 | 0.06 | 26.0 | |

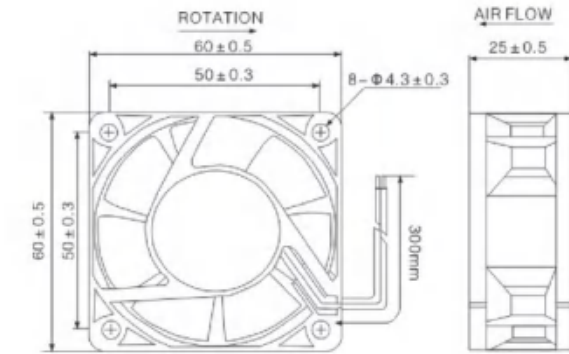
FU6020 Size:60 x 60 x20mm



Specification

| Model | Bearing | Rated voltage | Rated current | Rated input power | Nominal speed | Air flow | | Air pressure | | Noise | Weight |
|---------------|-------------|---------------|---------------|-------------------|---------------|----------|-----------------------|-----------------------|-------------------------|-------|--------|
| | | (V) | (A) | (W) | | (CFM) | (m ³ /min) | (mm/H ₂ O) | (inch-H ₂ O) | | |
| DF6020B(S)12H | sleeve/ball | 12 | 0.16 | 1.92 | 4200 | 16.71 | 0.47 | 3.18 | 0.13 | 33.0 | 45 |
| DF6020B(S)12M | sleeve/ball | 12 | 0.12 | 1.44 | 3500 | 15.02 | 0.42 | 2.80 | 0.11 | 31.0 | |
| DF6020B(S)12L | sleeve/ball | 12 | 0.08 | 0.96 | 3000 | 13.15 | 0.37 | 2.52 | 0.10 | 27.0 | |
| DF6020B(S)24H | sleeve/ball | 24 | 0.13 | 3.12 | 4200 | 16.71 | 0.47 | 3.18 | 0.13 | 33.0 | |
| DF6020B(S)24M | sleeve/ball | 24 | 0.10 | 2.4 | 3500 | 15.02 | 0.42 | 2.80 | 0.11 | 31.0 | |
| DF6020B(S)24L | sleeve/ball | 24 | 0.08 | 1.92 | 3000 | 13.15 | 0.37 | 2.52 | 0.10 | 27.0 | |

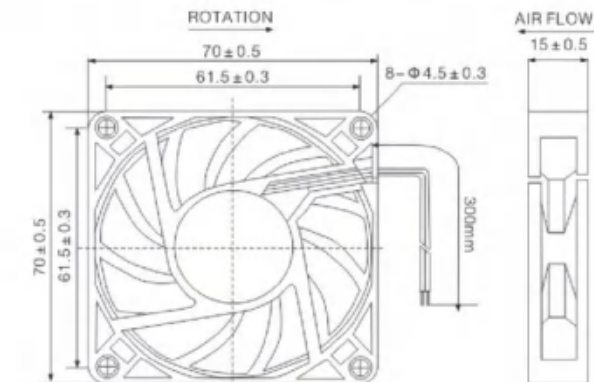
FU6025 Size:60 x 60 x25mm



Specification

| Model | Bearing | Rated voltage | Rated current | Rated input power | Nominal speed | Air flow | | Air pressure | | Noise | Weight |
|---------------|-------------|---------------|---------------|-------------------|---------------|----------|-----------------------|-----------------------|-------------------------|-------|--------|
| | | (V) | (A) | (W) | | (CFM) | (m ³ /min) | (mm/H ₂ O) | (inch-H ₂ O) | | |
| DF6025B(S)12D | sleeve/ball | 12 | 0.19 | 2.28 | 4500 | 27.05 | 0.76 | 10.12 | 0.40 | 41.0 | 55 |
| DF6025B(S)12H | sleeve/ball | 12 | 0.14 | 1.68 | 4000 | 24.71 | 0.70 | 8.80 | 0.35 | 38.0 | |
| DF6025B(S)12M | sleeve/ball | 12 | 0.10 | 1.2 | 3000 | 20.15 | 0.56 | 5.92 | 0.23 | 33.0 | |
| DF6025B(S)12L | sleeve/ball | 12 | 0.07 | 0.84 | 2500 | 15.80 | 0.44 | 3.51 | 0.14 | 27.0 | |
| DF6025B(S)24D | sleeve/ball | 24 | 0.19 | 4.58 | 4500 | 27.05 | 0.76 | 10.12 | 0.40 | 41.0 | |
| DF6025B(S)24H | sleeve/ball | 24 | 0.14 | 3.88 | 4000 | 24.71 | 0.70 | 8.80 | 0.35 | 38.0 | |
| DF6025B(S)24M | sleeve/ball | 24 | 0.10 | 2.40 | 3000 | 20.15 | 0.56 | 5.92 | 0.23 | 33.0 | |
| DF6025B(S)24L | sleeve/ball | 24 | 0.09 | 2.16 | 2500 | 15.80 | 0.44 | 3.51 | 0.14 | 27.0 | |

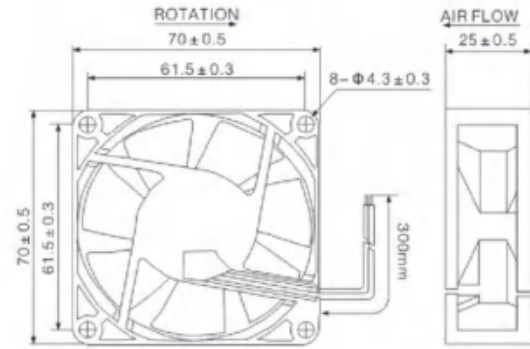
FU7015 Size:70 x 70 x15mm



Specification

| Model | Bearing | Rated voltage | Rated current | Rated input power | Nominal speed | Air flow | | Air pressure | | Noise | Weight |
|---------------|-------------|---------------|---------------|-------------------|---------------|----------|-----------------------|-----------------------|-------------------------|-------|--------|
| | | (V) | (A) | (W) | | (CFM) | (m ³ /min) | (mm/H ₂ O) | (inch-H ₂ O) | | |
| DF7015B(S)12H | sleeve/ball | 12 | 0.35 | 4.2 | 4200 | 33.52 | 0.94 | 3.33 | 0.13 | 40.0 | 45 |
| DF7015B(S)12M | sleeve/ball | 12 | 0.25 | 3 | 3600 | 28.85 | 0.81 | 3.02 | 0.12 | 35.0 | |
| DF7015B(S)12L | sleeve/ball | 12 | 0.16 | 1.92 | 3000 | 24.80 | 0.69 | 2.50 | 0.09 | 30.0 | |
| DF7015B(S)24H | sleeve/ball | 24 | 0.25 | 6 | 4200 | 33.52 | 0.94 | 3.33 | 0.13 | 40.0 | |
| DF7015B(S)24M | sleeve/ball | 24 | 0.16 | 3.84 | 3600 | 28.85 | 0.81 | 3.02 | 0.12 | 35.0 | |
| DF7015B(S)24L | sleeve/ball | 24 | 0.12 | 2.88 | 3000 | 24.80 | 0.69 | 2.50 | 0.09 | 30.0 | |

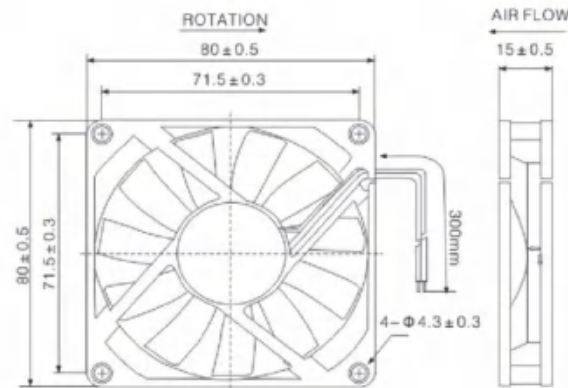
FU7025 Size:70 x 70 x25mm



Specification

| Model | Bearing | Rated voltage | Rated current | Rated input power | Nominal speed | Air flow | | Air pressure | | Noise | Weight |
|---------------|-------------|---------------|---------------|-------------------|---------------|----------|-----------------------|-----------------------|-------------------------|-------|--------|
| | | (V) | (A) | (W) | | (CFM) | (m ³ /min) | (mm/H ₂ O) | (inch-H ₂ O) | | |
| DF7025B(S)12D | sleeve/ball | 12 | 0.35 | 4.28 | 4500 | 36.12 | 1.01 | 4.80 | 0.18 | 42.0 | 50 |
| DF7025B(S)12H | sleeve/ball | 12 | 0.3 | 3.60 | 4000 | 32.02 | 0.89 | 4.81 | 0.16 | 40.0 | |
| DF7025B(S)12M | sleeve/ball | 12 | 0.20 | 2.40 | 3500 | 27.93 | 0.78 | 3.85 | 0.15 | 36.0 | |
| DF7025B(S)12L | sleeve/ball | 12 | 0.15 | 1.80 | 3000 | 24.00 | 0.67 | 2.65 | 0.10 | 31.0 | |
| DF7025B(S)24D | sleeve/ball | 24 | 0.30 | 7.2 | 4500 | 36.12 | 1.01 | 4.80 | 0.18 | 42.0 | |
| DF7025B(S)24H | sleeve/ball | 24 | 0.22 | 5.28 | 4000 | 32.02 | 0.89 | 4.81 | 0.16 | 40.0 | |
| DF7025B(S)24M | sleeve/ball | 24 | 0.12 | 2.88 | 3500 | 27.93 | 0.78 | 3.85 | 0.15 | 36.0 | |
| DF7025B(S)24L | sleeve/ball | 24 | 0.10 | 2.4 | 3000 | 24.00 | 0.67 | 2.65 | 0.10 | 31.0 | |

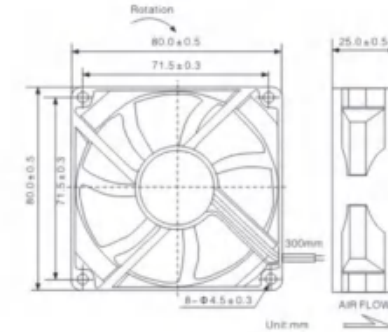
FU8015 Size:80 x 80 x15mm



Specification

| Model | Bearing | Rated voltage | Rated current | Rated input power | Nominal speed | Air flow | | Air pressure | | Noise | Weight |
|---------------|-------------|---------------|---------------|-------------------|---------------|----------|-----------------------|-----------------------|-------------------------|-------|--------|
| | | (V) | (A) | (W) | | (CFM) | (m ³ /min) | (mm/H ₂ O) | (inch-H ₂ O) | | |
| DF8015B(S)12H | sleeve/ball | 12 | 0.17 | 2.04 | 8000 | 33.12 | 0.93 | 3.53 | 0.13 | 32.0 | 45 |
| DF8015B(S)12M | sleeve/ball | 12 | 0.14 | 1.68 | 2500 | 28.66 | 0.80 | 3.02 | 0.12 | 30.0 | |
| DF8015B(S)12L | sleeve/ball | 12 | 0.09 | 1.08 | 2000 | 24.80 | 0.68 | 2.51 | 0.09 | 25.0 | |
| DF8015B(S)24H | sleeve/ball | 24 | 0.15 | 3.60 | 3000 | 33.12 | 0.93 | 3.53 | 0.13 | 32.0 | |
| DF8015B(S)24M | sleeve/ball | 24 | 0.18 | 3.12 | 2500 | 28.66 | 0.80 | 3.02 | 0.12 | 30.0 | |
| DF8015B(S)24L | sleeve/ball | 24 | 0.10 | 2.40 | 2000 | 24.30 | 0.68 | 2.51 | 0.09 | 25.0 | |

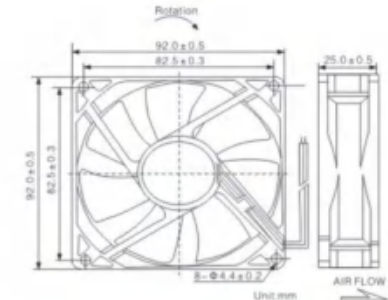
DF8025: 80x80x25mm



Specification

| Model | Bearing | Rated voltage | Rated current | Rated input power | Nominal speed | Air flow | | Air pressure | | Noise | Weight |
|---------------|-------------|---------------|---------------|-------------------|---------------|----------|-----------------------|-----------------------|-------------------------|-------|--------|
| | | (V) | (A) | (W) | | (CFM) | (m ³ /min) | (mm/H ₂ O) | (inch-H ₂ O) | | |
| DF8025B(S)12D | sleeve/ball | 12 | 0.25 | 3.00 | 3500 | 44.00 | 1.23 | 4.81 | 0.18 | 37.0 | 60 |
| DF8025B(S)12H | sleeve/ball | 12 | 0.17 | 2.04 | 3000 | 36.50 | 1.02 | 3.40 | 0.13 | 32.0 | |
| DF8025B(S)12M | sleeve/ball | 12 | 0.11 | 1.32 | 2500 | 31.50 | 0.88 | 2.48 | 0.09 | 27.0 | |
| DF8025B(S)12L | sleeve/ball | 12 | 0.08 | 0.96 | 2000 | 26.80 | 0.75 | 1.91 | 0.07 | 23.0 | |
| DF8025B(S)24D | sleeve/ball | 24 | 0.2 | 4.8 | 3500 | 44.00 | 1.23 | 4.81 | 0.19 | 37.0 | |
| DF8025B(S)24H | sleeve/ball | 24 | 0.15 | 3.8 | 3000 | 36.50 | 1.02 | 3.40 | 0.13 | 32.0 | |
| DF8025B(S)24M | sleeve/ball | 24 | 0.12 | 2.88 | 2500 | 31.50 | 0.88 | 2.48 | 0.09 | 27.0 | |
| DF8025B(S)24L | sleeve/ball | 24 | 0.09 | 2.18 | 2000 | 26.80 | 0.75 | 1.91 | 0.07 | 23.0 | |
| DF8025B(S)48H | sleeve/ball | 48 | 0.15 | 7.20 | 3500 | 44.00 | 1.23 | 4.81 | 0.18 | 37.0 | |
| DF8025B(S)48M | sleeve/ball | 48 | 0.07 | 3.36 | 3000 | 36.50 | 1.02 | 3.40 | 0.13 | 32.0 | |

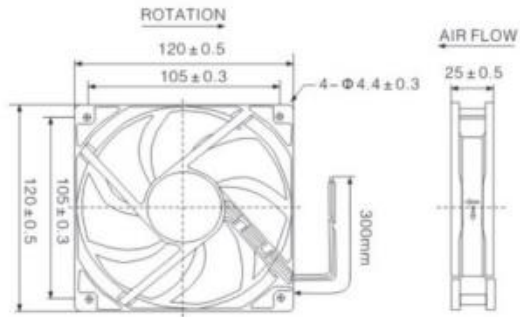
DF9225: 92x92x25mm



Specification

| Model | Bearing | Rated voltage | Rated current | Rated input power | Nominal speed | Air flow | | Air pressure | | Noise | Weight |
|---------------|-------------|---------------|---------------|-------------------|---------------|----------|-----------------------|-----------------------|-------------------------|-------|--------|
| | | (V) | (A) | (W) | | (CFM) | (m ³ /min) | (mm/H ₂ O) | (inch-H ₂ O) | | |
| DF9225B(S)12D | sleeve/ball | 12 | 0.50 | 6.00 | 3200 | 85.55 | 2.39 | 4.81 | 0.18 | 50.0 | 75 |
| DF9225B(S)12H | sleeve/ball | 12 | 0.25 | 3.00 | 2800 | 65.01 | 1.82 | 3.83 | 0.15 | 40.0 | |
| DF9225B(S)12M | sleeve/ball | 12 | 0.20 | 2.4 | 2500 | 46.30 | 1.29 | 3.05 | 0.12 | 30.0 | |
| DF9225B(S)12L | sleeve/ball | 12 | 0.18 | 1.92 | 2000 | 38.80 | 1.08 | 2.18 | 0.08 | 23.0 | |
| DF9225B(S)24D | sleeve/ball | 24 | 0.35 | 8.4 | 3200 | 85.55 | 2.39 | 4.81 | 0.18 | 50.0 | |
| DF9225B(S)24H | sleeve/ball | 24 | 0.22 | 5.28 | 2800 | 65.01 | 1.82 | 3.83 | 0.15 | 40.0 | |
| DF9225B(S)24M | sleeve/ball | 24 | 0.18 | 4.82 | 2500 | 46.30 | 1.29 | 3.05 | 0.12 | 30.0 | |
| DF9225B(S)24L | sleeve/ball | 24 | 0.15 | 3.8 | 2000 | 38.80 | 1.08 | 2.18 | 0.08 | 23.0 | |
| DF9225B(S)48H | sleeve/ball | 48 | 0.13 | 6.24 | 3200 | 65.01 | 1.82 | 3.83 | 0.18 | 40.0 | |
| DF9225B(S)48M | sleeve/ball | 48 | 0.07 | 3.36 | 3000 | 46.30 | 1.29 | 3.05 | 0.12 | 30.0 | |

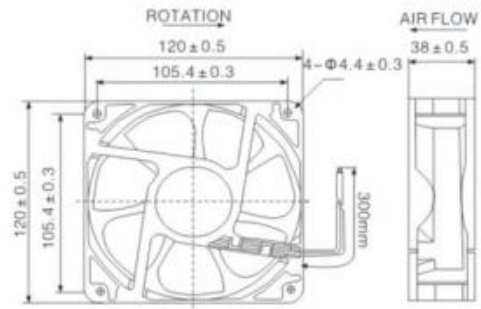
FU1225 Size: 120x120x25mm



Specification

| Model | Bearing | Rated voltage | Rated current | Rated input power | Nominal speed | Air flow | | Air pressure | | Noise | Weight |
|---------------|-------------|---------------|---------------|-------------------|---------------|----------|-----------------------|-----------------------|-------------------------|-------|--------|
| | | (V) | (A) | (W) | | (CFM) | (m ³ /min) | (mm/H ₂ O) | (inch-H ₂ O) | | |
| DF1225B(S)12D | sleeve/ball | 12 | 0.55 | 6.60 | 3000 | 150.11 | 4.20 | 5.82 | 0.28 | 50.0 | 145 |
| DF1225B(S)12H | sleeve/ball | 12 | 0.4 | 4.80 | 2400 | 114.00 | 3.19 | 4.45 | 0.18 | 41.0 | |
| DF1225B(S)12M | sleeve/ball | 12 | 0.25 | 3.00 | 2000 | 92.52 | 2.59 | 3.68 | 0.14 | 36.0 | |
| DF1225B(S)12L | sleeve/ball | 12 | 0.18 | 2.10 | 1800 | 68.45 | 1.92 | 2.68 | 0.11 | 32.0 | |
| DF1225B(S)24D | sleeve/ball | 24 | 0.45 | 10.80 | 3000 | 150.11 | 4.20 | 5.82 | 0.23 | 50.0 | |
| DF1225B(S)24H | sleeve/ball | 24 | 0.35 | 8.40 | 2400 | 114.00 | 3.19 | 4.45 | 0.18 | 41.0 | |
| DF1225B(S)24M | sleeve/ball | 24 | 0.2 | 4.8 | 2000 | 92.52 | 2.59 | 3.68 | 0.14 | 36.0 | |
| DF1225B(S)24L | sleeve/ball | 24 | 0.13 | 3.12 | 1800 | 68.45 | 1.92 | 2.68 | 0.11 | 32.0 | |
| DF1225B(S)48H | sleeve/ball | 48 | 0.15 | 7.20 | 3000 | 133.05 | 3.73 | 5.21 | 0.21 | 45.0 | |
| DF1225B(S)48M | sleeve/ball | 48 | 0.10 | 4.80 | 2700 | 92.52 | 2.59 | 3.65 | 0.14 | 36.0 | |

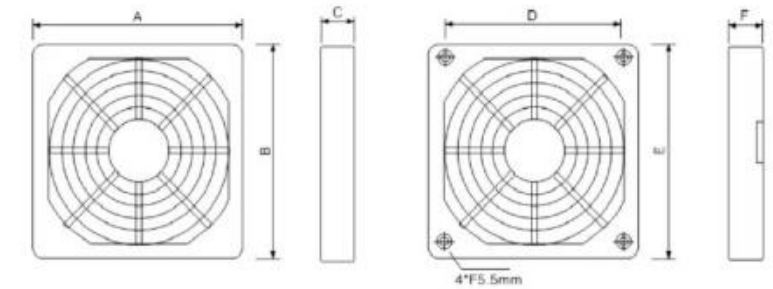
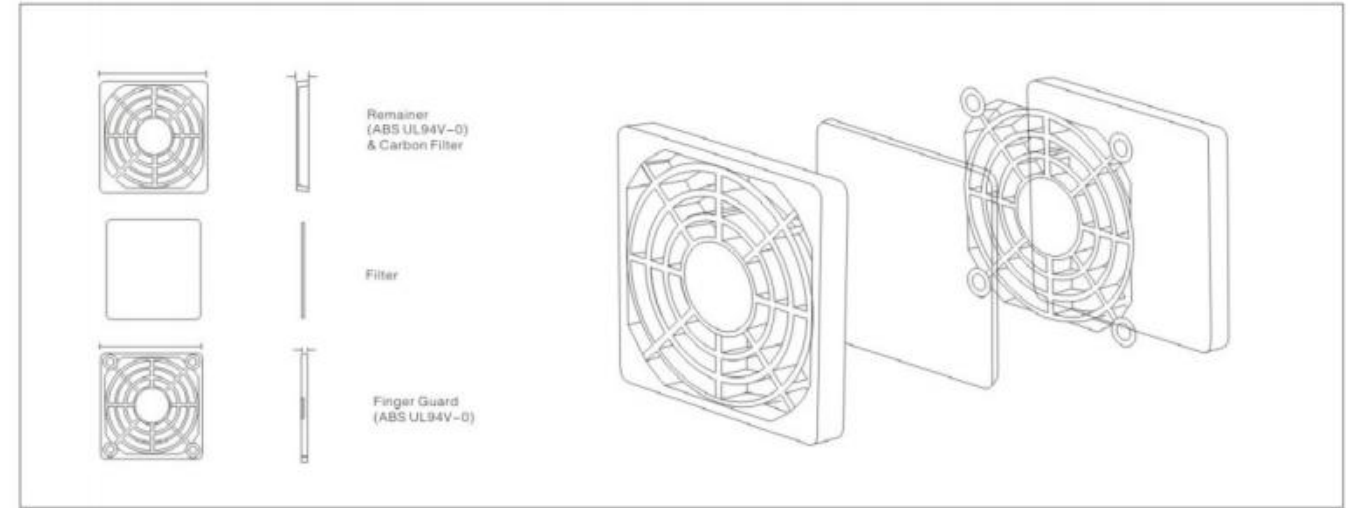
FU1225 Size: 120x120x38mm



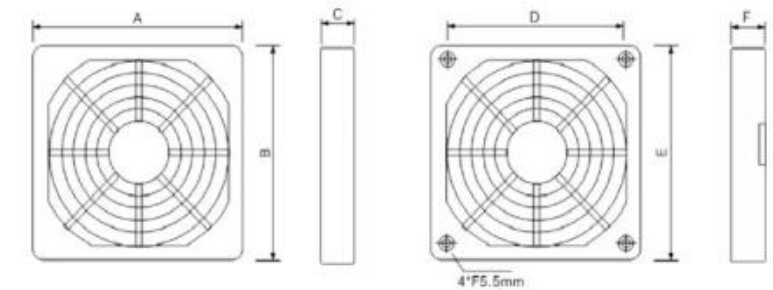
Specification

| Model | Bearing | Rated voltage | Rated current | Rated input power | Nominal speed | Air flow | | Air pressure | | Noise | Weight |
|------------|-------------|---------------|---------------|-------------------|---------------|----------|-----------------------|-----------------------|-------------------------|-------|--------|
| | | (V) | (A) | (W) | | (CFM) | (m ³ /min) | (mm/H ₂ O) | (inch-H ₂ O) | | |
| DF1203812H | sleeve/ball | 12 | 0.4 | 4.8 | 3000 | 125.32 | 5.5 | 9.85 | 0.38 | 46 | 257g |
| DF1203812M | sleeve/ball | 12 | 0.38 | 4.58 | 2700 | 105.94 | 3 | 7.6 | 0.3 | 41 | |
| DF1203812L | sleeve/ball | 12 | 0.23 | 2.78 | 2400 | 84.76 | 2.4 | 4.56 | 0.18 | 34 | |
| DF1203824H | sleeve/ball | 24 | 0.35 | 8.4 | 3000 | 125.32 | 5.5 | 9.85 | 0.38 | 46 | |
| DF1203824M | sleeve/ball | 24 | 0.28 | 6.72 | 2700 | 105.94 | 3 | 7.6 | 0.3 | 41 | |
| DF1203824L | sleeve/ball | 24 | 0.2 | 4.8 | 2400 | 84.76 | 2.4 | 4.56 | 0.18 | 34 | |
| DF1203848H | sleeve/ball | 48 | 0.2 | 9.6 | 3000 | 125.32 | 5.5 | 9.85 | 0.38 | 46 | |
| DF1203848M | sleeve/ball | 48 | 0.11 | 5.12 | 2700 | 105.94 | 3 | 7.6 | 0.3 | 41 | |
| DF1203848L | sleeve/ball | 48 | 0.06 | 2.88 | 2400 | 84.76 | 2.4 | 4.56 | 0.18 | 34 | |

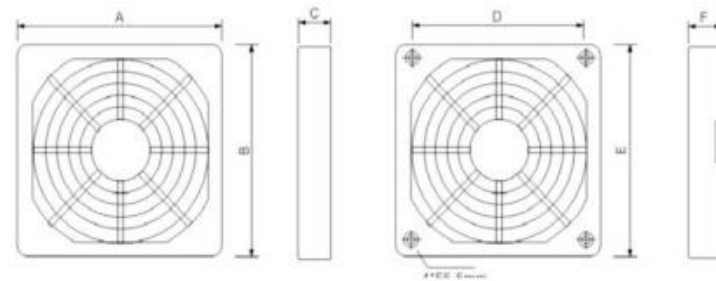
Material of the ventilator Flame Retardant ABS Resin
 Material of filter screen resin mixed with nylon fiber
 Scope: room temperature from -10 to +55
 Dust removal rate: 89%
 IP code: IP40



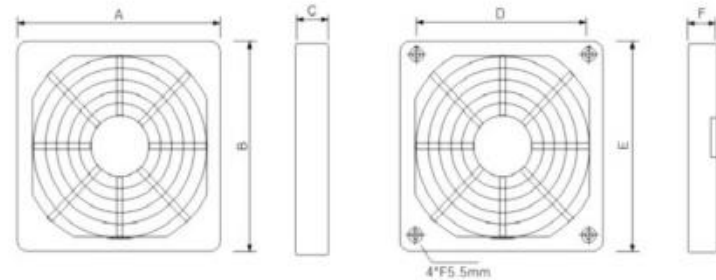
| Model | A | B | C | D | E | F | Weight |
|--------|----|----|---|----|----|---|--------|
| FK2040 | 44 | 44 | 7 | 32 | 40 | 3 | 6 |



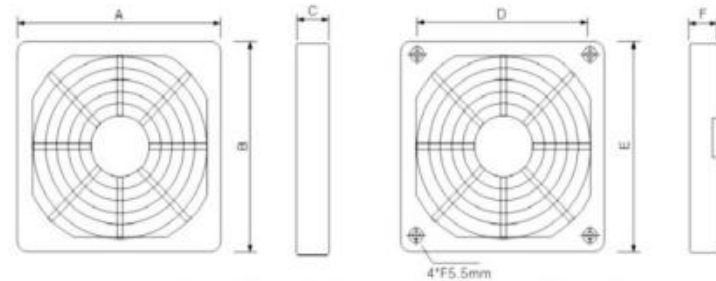
| Model | A | B | C | D | E | F | Weight |
|--------|----|----|---|----|----|---|--------|
| FK2050 | 54 | 54 | 7 | 40 | 50 | 3 | 10 |



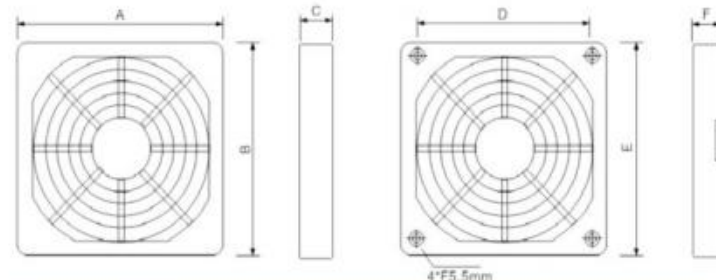
| Model | A | B | C | D | E | F | Weight g |
|--------|----|----|---|----|----|---|----------|
| FK2060 | 64 | 64 | 7 | 50 | 61 | 3 | 11 |



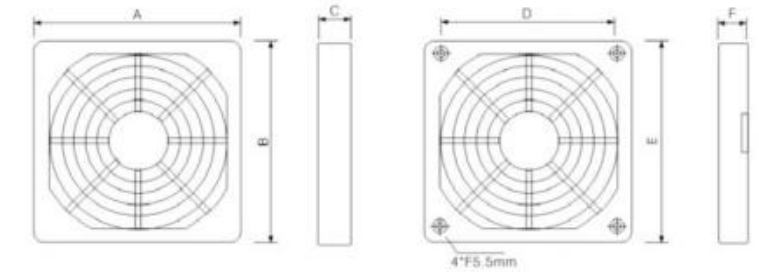
| Model | A | B | C | D | E | F | Weight g |
|--------|----|----|---|------|----|---|----------|
| FK2070 | 75 | 75 | 7 | 61.5 | 70 | 3 | 14 |



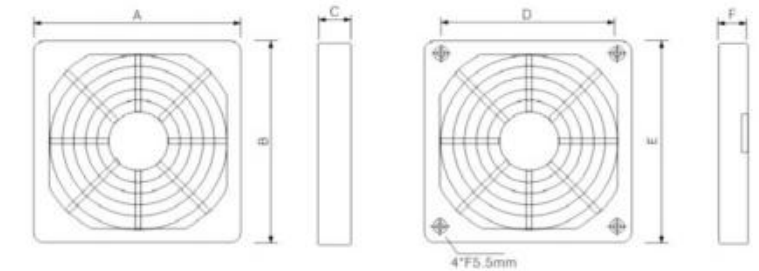
| Model | A | B | C | D | E | F | Weight g |
|--------|----|----|----|------|----|-----|----------|
| FK2080 | 86 | 86 | 11 | 71.5 | 83 | 4.5 | 36 |



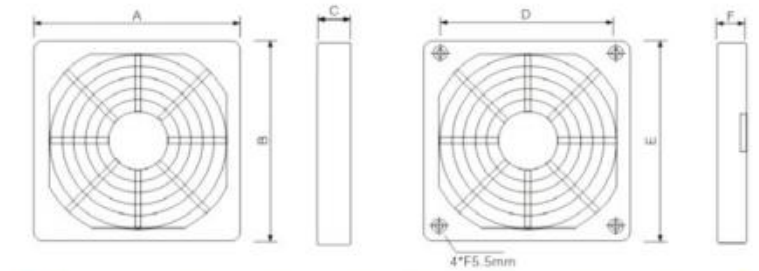
| Model | A | B | C | D | E | F | Weight g |
|--------|----|----|----|------|----|---|----------|
| FK2090 | 97 | 97 | 11 | 82.5 | 92 | 5 | 44 |



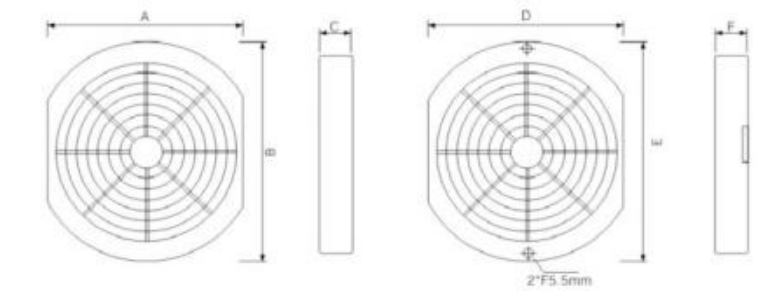
| Model | A | B | C | D | E | F | Weight g |
|--------|-----|-----|----|------|-----|---|----------|
| FK2110 | 115 | 115 | 11 | 88.3 | 110 | 5 | 73 |



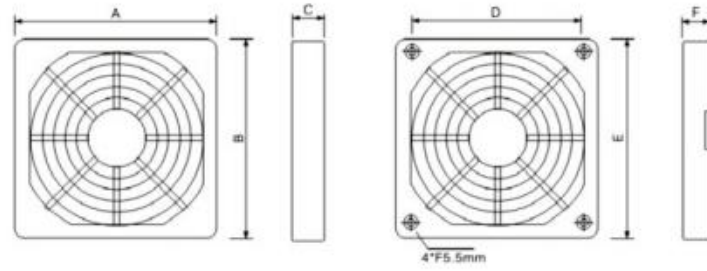
| Model | A | B | C | D | E | F | Weight g |
|--------|-----|-----|----|-----|-----|---|----------|
| FK2120 | 125 | 125 | 10 | 105 | 120 | 5 | 74 |



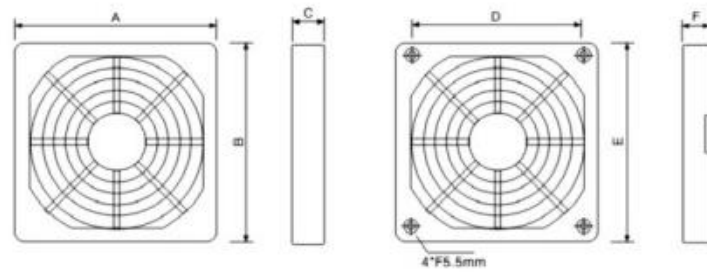
| Model | A | B | C | D | E | F | Weight g |
|--------|-----|-----|----|-----|-----|---|----------|
| FK2135 | 140 | 140 | 10 | 110 | 135 | 5 | 78 |



| Model | A | B | C | D | E | F | Weight g |
|--------|-----|-----|----|-----|-----|---|----------|
| FK2150 | 155 | 177 | 10 | 150 | 162 | 5 | 115 |



| Model | A | B | C | D | E | F | Weight g |
|--------|-----|-----|----|-----|-----|---|----------|
| FK2172 | 178 | 178 | 10 | 123 | 172 | 5 | 163 |



| Model | A | B | C | D | E | F | Weight g |
|--------|-----|-----|----|-----|-----|-----|----------|
| FK2200 | 206 | 206 | 10 | 166 | 200 | 4.5 | 210 |

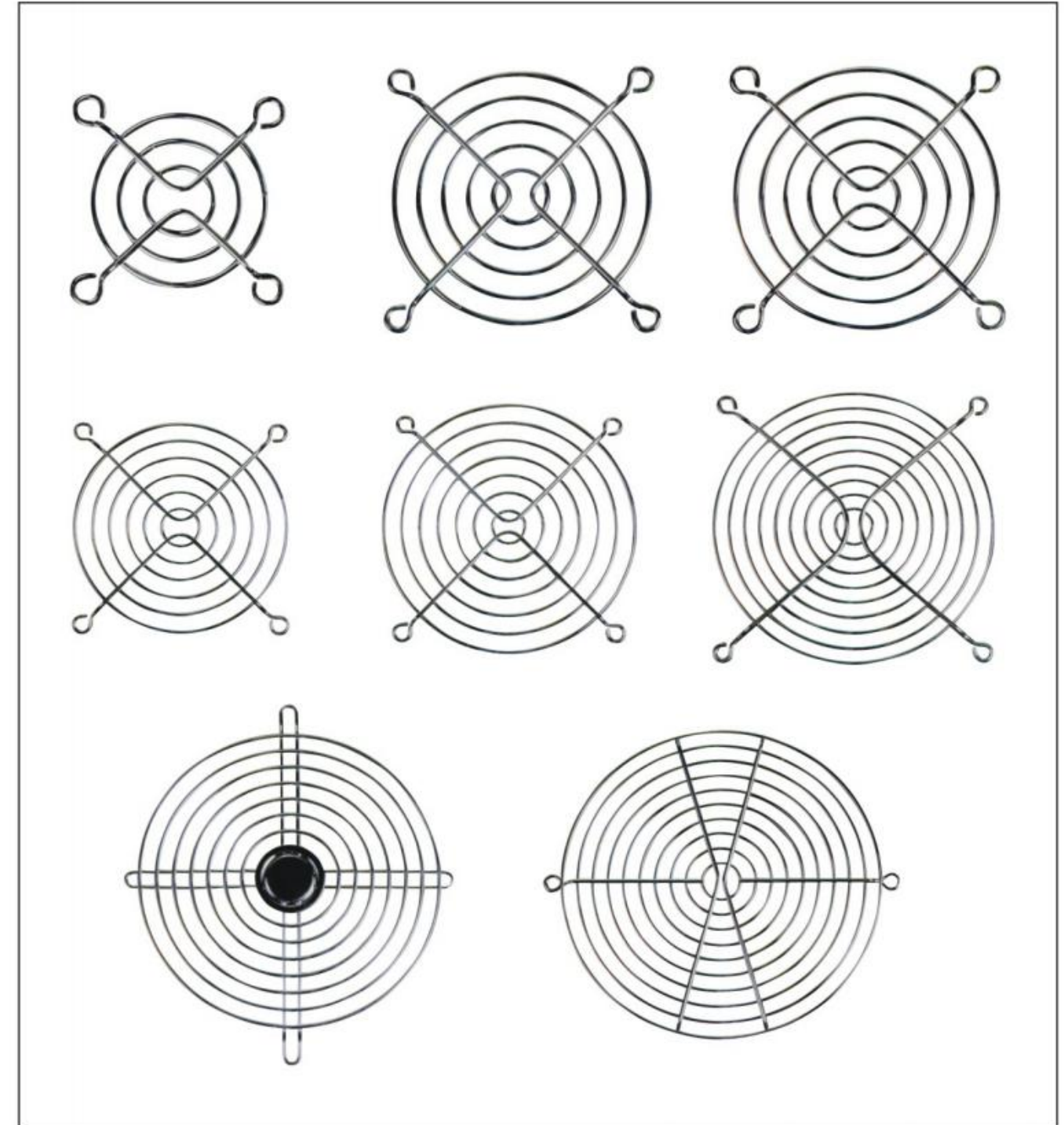
Material: C1088 lustrous metal wire and 304 stainless steel

Surface treatment: lustrous Nickel Chrome plating

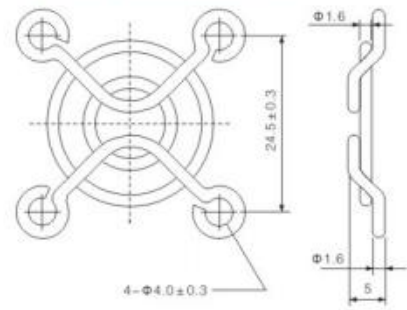
With welding point bearing force of 88 pounds

IP code: IP40

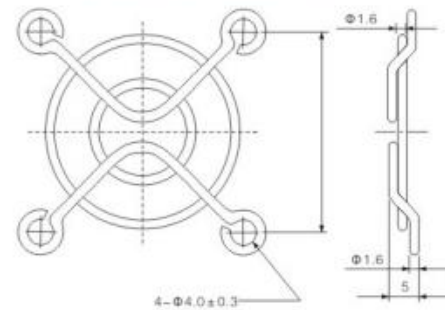
Applicable to fans of 40,50,60,70,80,92,110,120,127,135,150,172,180,200,220 and 254.



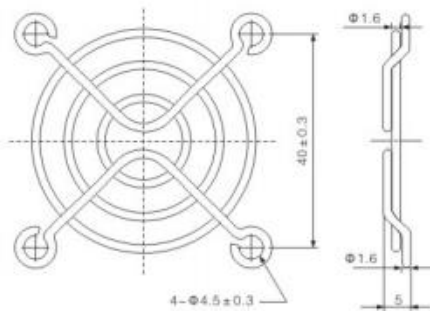
FG-03 FOR 30MM FAN



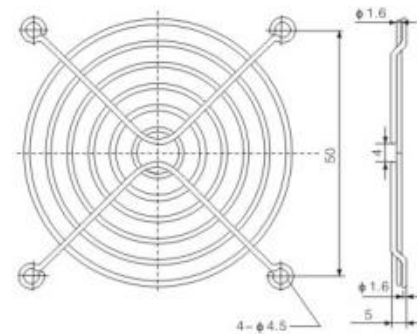
FG-04 FOR 40MM FAN



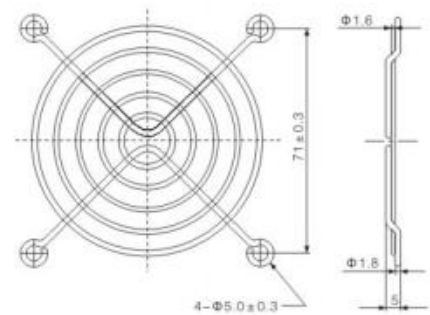
FG-05 FOR 50MM FAN



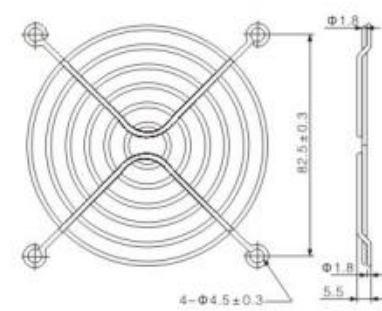
FG-06 FOR 60MM FAN



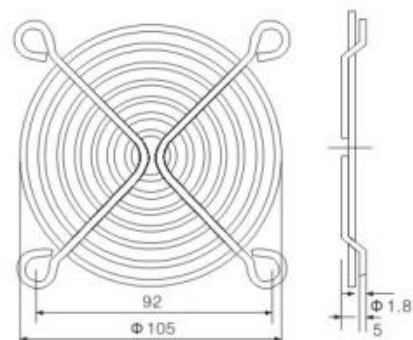
FG-08 FOR 80MM FAN



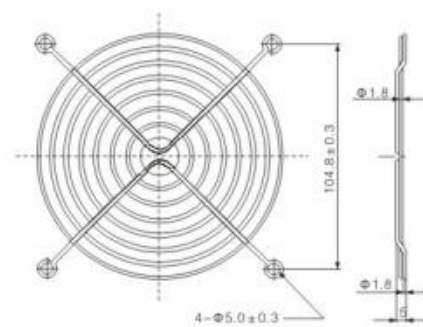
FG-09 FOR 92MM FAN



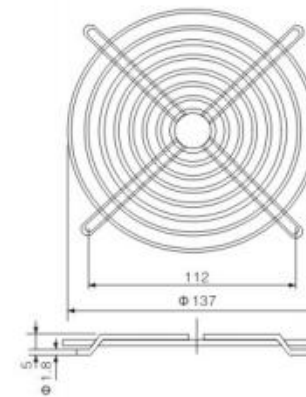
FG-110 FOR 110MM FAN



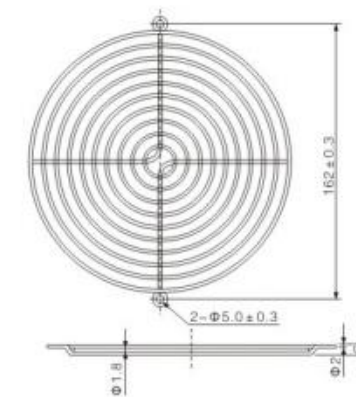
FG120 FOR 120MM FAN



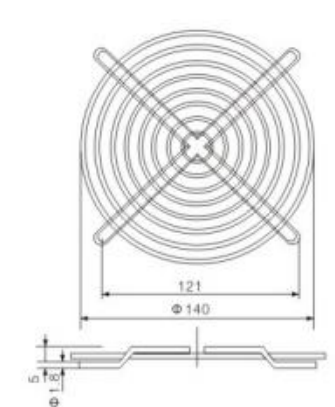
FG-135 FOR 135MM FAN



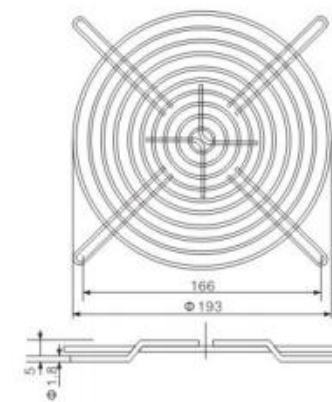
FG150-2 FOR 172*150MM FAN



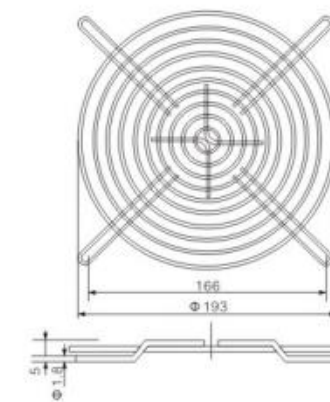
FG-150 FOR 150MM FAN



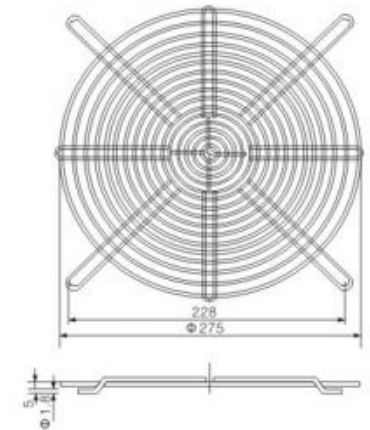
FG-180 FOR 180MM FAN



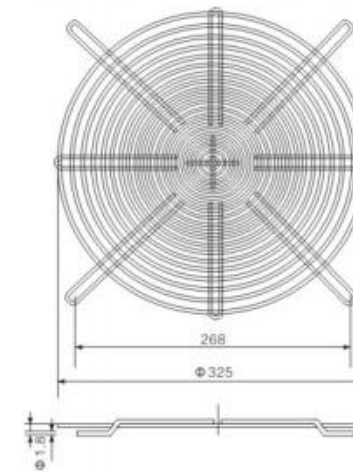
FG-200 FOR 200MM FAN



FG-250 FOR 250MM FAN

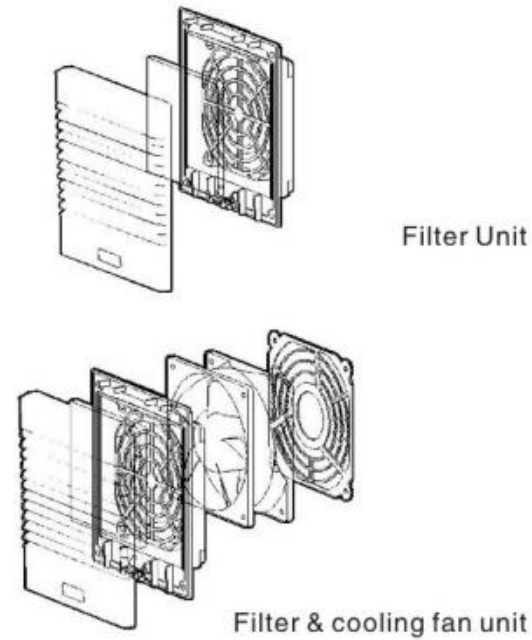


FG-300 FOR 300MM FAN

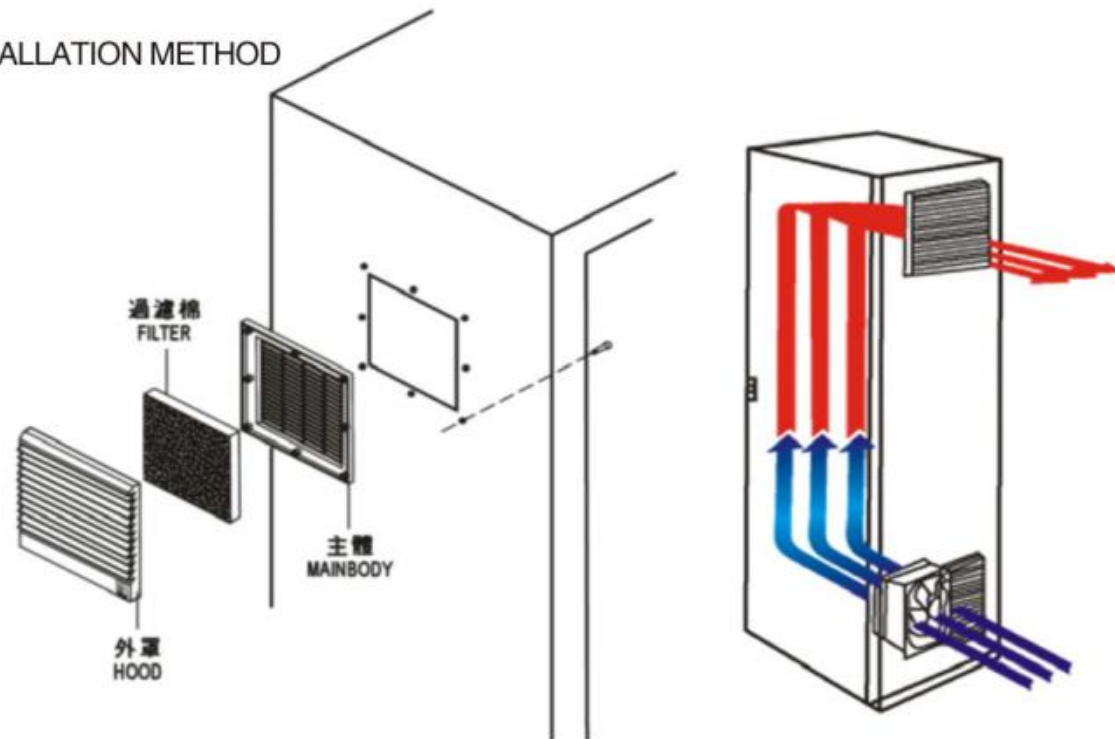


| MODEL | WEIGHT/PCS | PCS/BOX | PCS/CTN |
|---------|------------|---------|---------|
| FG03 | 4g | 100 | 1000 |
| FG04 | 5g | | 1000 |
| FG05 | 7g | | 1000 |
| FG06 | 10g | | 1000 |
| FG08 | 17g | | 1000 |
| FG09 | 21g | | 1000 |
| FG110 | 30g | | 600 |
| FG120 | 32g | | 600 |
| FG135 | 36g | | 400 |
| FG150 | 44g | | 400 |
| FG150-2 | 54g | 400 | |
| FG180 | 69g | 200 | |
| FG200 | 81g | 200 | |
| FG250 | 160g | 100 | |
| FG300 | 241g | 100 | |

- ◆ The filter consists of hood, filter and mainbody to protect the dust into the equipment.
- ◆ Filter panel material: ABS plastic, filtration efficiency of 73%
- ◆ Operating temperature / humidity range: (non condensing state) temperature -20 C ~+65 C, humidity 0%~95%
- ◆ Protection level: E N 60529 I P 54 (not suitable for outdoor equipment).

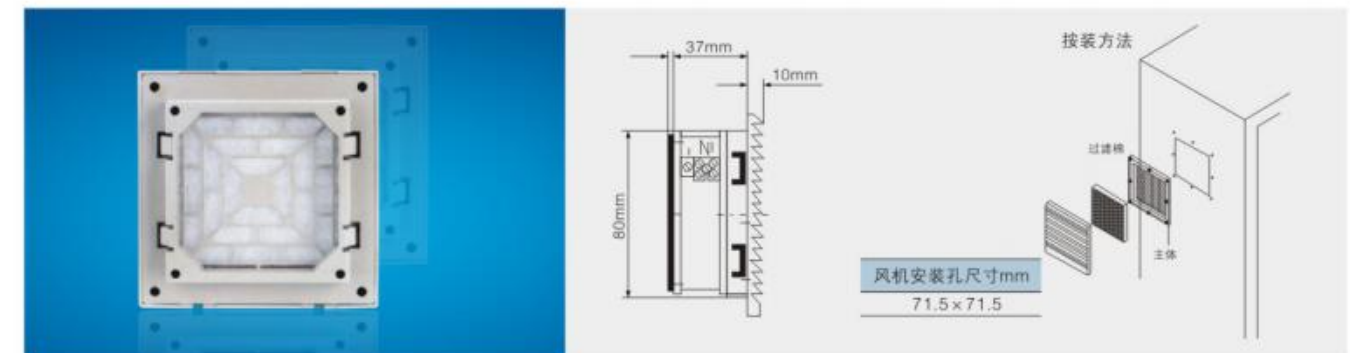


INSTALLATION METHOD



| P/N | Model | Outline size | Panel hole size | Fan code | Voltage (V) | Power (W) | Freq (HZ) | Air volume m ³ /min | Noise (db) |
|------------|-------|--------------|-----------------|-----------|-------------|-----------|-----------|--------------------------------|------------|
| PF801 | ZL801 | 106*106*10mm | 81*81mm | None | None | None | 50/60 | None | None |
| PF1S825L11 | ZL801 | | | AF825S11L | 110v | 14 | | 30 | 30 |
| PF1B825L11 | ZL801 | | | AF825B11L | 110v | 14 | | 32 | 30 |
| PF1S825L22 | ZL801 | | | AF825S22L | 220v | 16 | | 30 | 30 |
| PF1B825L22 | ZL801 | | | AF825B22L | 220v | 16 | | 32 | 30 |

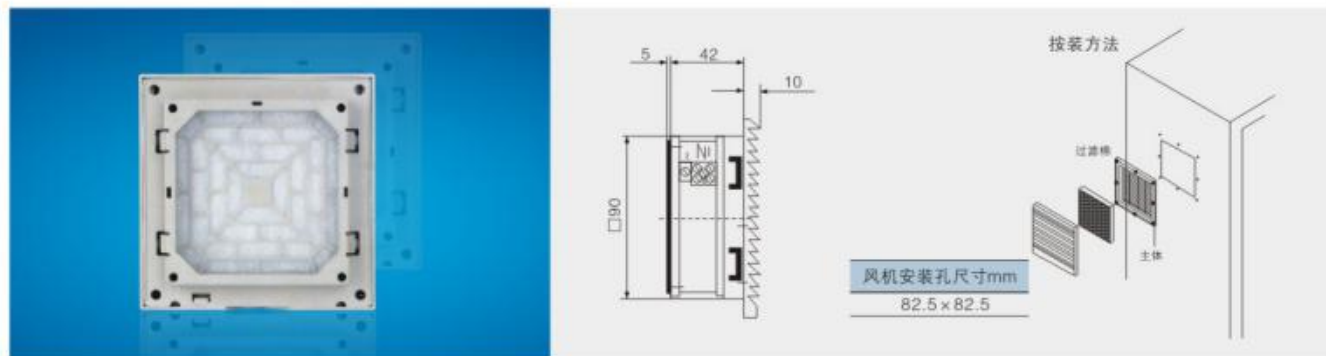
For special color please add the color code to the end of P/N





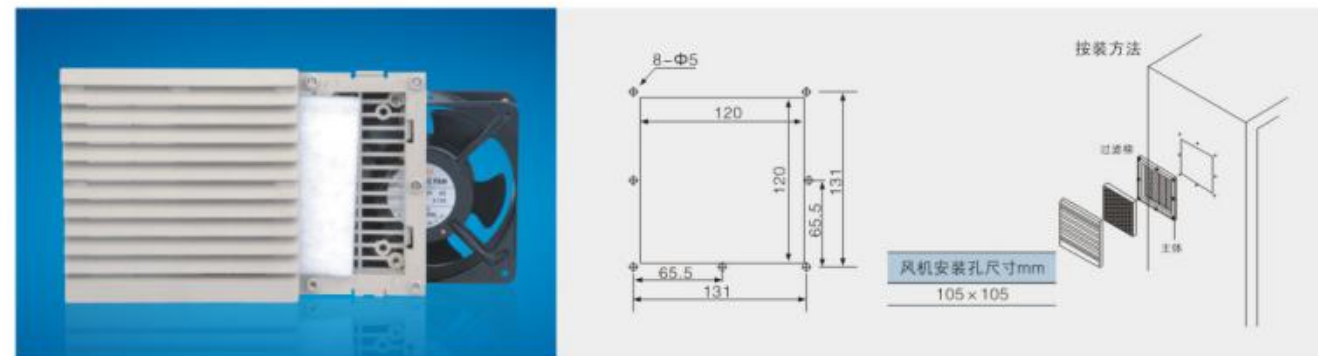
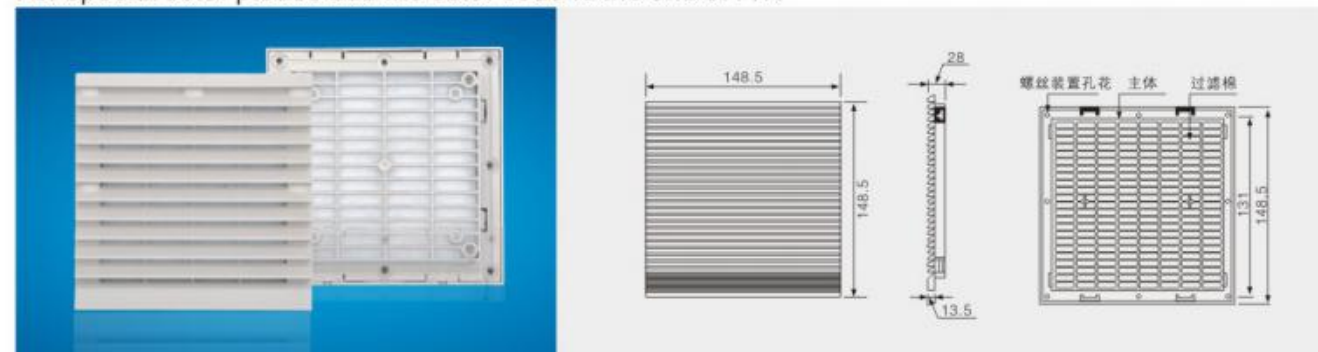
| P/N | Model | Outline size | Panel hole size | Fan code | Voltage (V) | Power (W) | Freq (HZ) | Air volume m ³ /min | Noise (db) |
|------------|-------|--------------|-----------------|-----------|-------------|-----------|-----------|--------------------------------|------------|
| PF802 | ZL802 | 116*116*10mm | 91*91mm | None | None | None | None | None | None |
| PF2S925L11 | ZL802 | 116*116*10mm | 91*91mm | AF925S11L | 110v | 13 | 50/60 | 58 | 32 |
| PF2B925L11 | ZL802 | 116*116*10mm | 91*91mm | AF925B11L | 110v | 14 | 50/60 | 59 | 32 |
| PF2S925L22 | ZL802 | 116*116*10mm | 91*91mm | AF925S22L | 220v | 13 | 50/60 | 58 | 32 |
| PF2B925L22 | ZL802 | 116*116*10mm | 91*91mm | AF925B22L | 220v | 14 | 50/60 | 59 | 32 |

For special color please add the color code to the end of P/N



| P/N | Model | Outline size | Panel hole size | Fan code | Voltage (V) | Power (W) | Freq (HZ) | Air volume m ³ /min | Noise (db) |
|--------------|-------|--------------------|-----------------|-------------|-------------|-----------|-----------|--------------------------------|------------|
| PF803 | ZL803 | 148.5*148.5*13.5mm | 120*120mm | None | None | None | None | None | None |
| PF3S1225L11 | ZL803 | 148.5*148.5*13.5mm | 120*120mm | AF1225S11L | 110v | 15 | 50/60 | 85 | 32 |
| PF3B1225L11 | ZL803 | 148.5*148.5*13.5mm | 120*120mm | AF1225B11L | 110v | 15 | 50/60 | 90 | 32 |
| PF3S1225L22 | ZL803 | 148.5*148.5*13.5mm | 120*120mm | AF1225S22L | 220v | 15 | 50/60 | 85 | 32 |
| PF3B1225L22 | ZL803 | 148.5*148.5*13.5mm | 120*120mm | AF1225B22L | 220v | 15 | 50/60 | 90 | 32 |
| PF3S1238L11 | ZL803 | 148.5*148.5*13.5mm | 120*120mm | AF1238S11L | 110v | 19 | 50/60 | 138 | 39 |
| PF3B1238L11 | ZL803 | 148.5*148.5*13.5mm | 120*120mm | AF1238B11L | 110v | 20 | 50/60 | 148 | 39 |
| PF3S1238L22 | ZL803 | 148.5*148.5*13.5mm | 120*120mm | AF1238S22L | 220v | 19 | 50/60 | 138 | 39 |
| PF3B1238L22 | ZL803 | 148.5*148.5*13.5mm | 120*120mm | AF1238B22L | 220v | 20 | 50/60 | 148 | 39 |
| PF3S12387L11 | ZL803 | 148.5*148.5*13.5mm | 120*120mm | AF12387S11L | 110v | 22 | 50/60 | 160 | 43 |
| PF3B12387L11 | ZL803 | 148.5*148.5*13.5mm | 120*120mm | AF12387B11L | 110v | 21 | 50/60 | 172 | 43 |
| PF3S12387L22 | ZL803 | 148.5*148.5*13.5mm | 120*120mm | AF12387S22L | 220v | 22 | 50/60 | 160 | 43 |
| PF3B12387L22 | ZL803 | 148.5*148.5*13.5mm | 120*120mm | AF12387B22L | 220v | 21 | 50/60 | 172 | 43 |

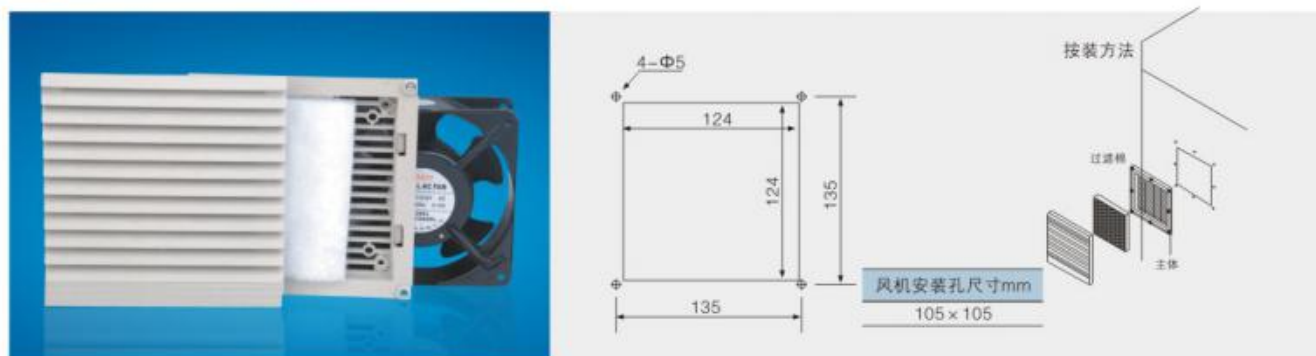
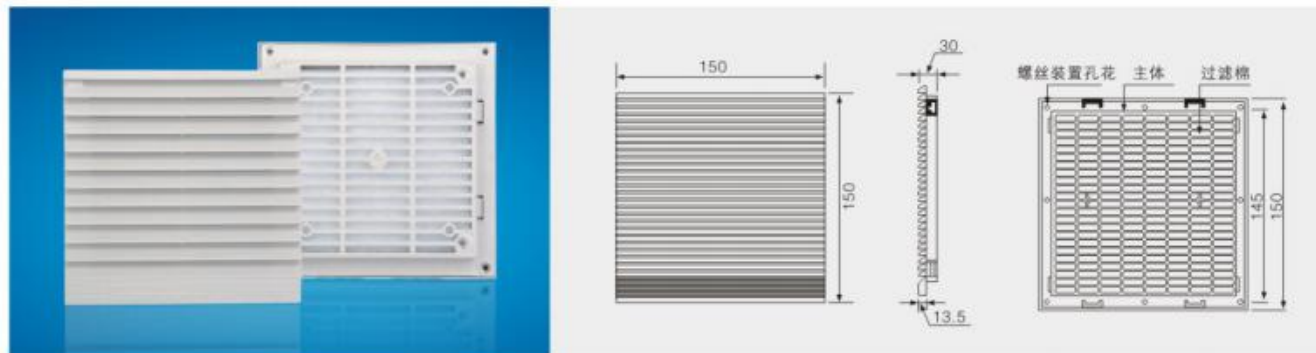
For special color please add the color code to the end of P/N





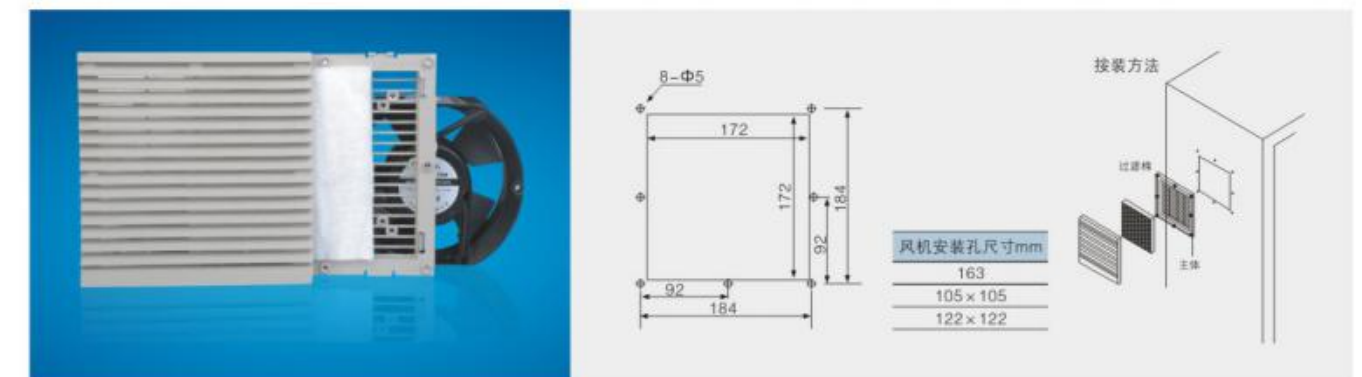
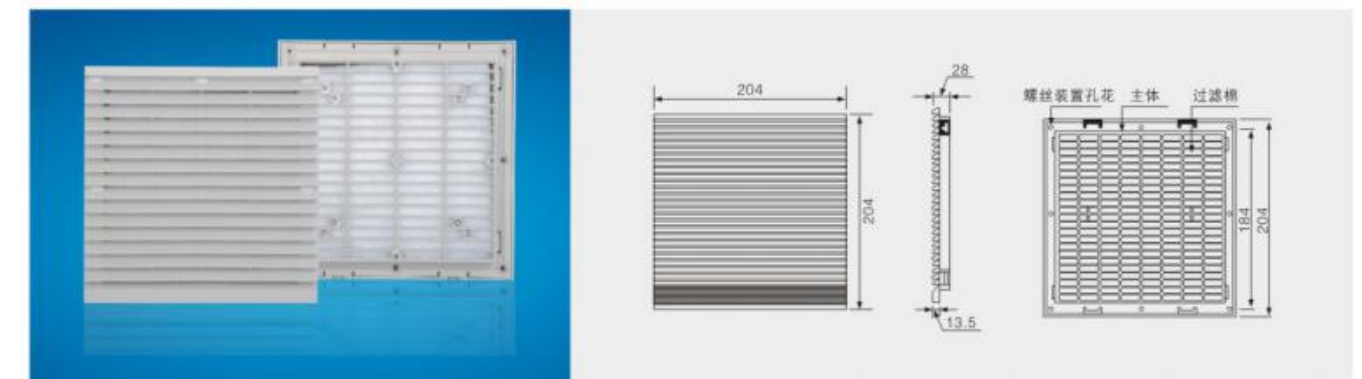
| P/N | Model | Outline size | Panel hole size | Fan code | Voltage (V) | Power (W) | Freq (HZ) | Air volume m³/min | Noise (db) |
|--------------|-------|----------------|-----------------|-------------|-------------|-----------|-----------|-------------------|------------|
| PF150 | ZL150 | 150*150*13.5mm | 124*124mm | None | None | None | None | None | None |
| FL3S1225L11 | ZL150 | | | AF1225S11L | 110v | 15 | 50/60 | 85 | 32 |
| FL3B1225L11 | ZL150 | | | AF1225B11L | 110v | 15 | | | |
| FL3S1225L22 | ZL150 | | | AF1225S22L | 220v | 15 | | | |
| FL3B1225L22 | ZL150 | | | AF1225B22L | 220v | 15 | | | |
| FL3S1238L11 | ZL150 | | | AF1238S11L | 110v | 19 | | | |
| FL3B1238L11 | ZL150 | | | AF1238B11L | 110v | 20 | | | |
| FL3S1238L22 | ZL150 | | | AF1238S22L | 220v | 19 | | | |
| FL3B1238L22 | ZL150 | | | AF1238B22L | 220v | 20 | | | |
| FL3S12387L11 | ZL150 | | | AF12387S11L | 110v | 22 | | | |
| FL3B12387L11 | ZL150 | | | AF12387B11L | 110v | 21 | | | |
| FL3S12387L22 | ZL150 | | | AF12387S22L | 220v | 22 | | | |
| FL3B12387L22 | ZL150 | | | AF12387B22L | 220v | 21 | | | |

For special color please add the color code to the end of P/N



| P/N | Model | Outline size | Panel hole size | Fan code | Air volume m³/min | Noise (db) |
|------------|-------|----------------|-----------------|------------------------|-------------------|------------|
| PF804 | ZL804 | 204*204*13.5MM | 172*172MM | None | None | None |
| PF804.1225 | ZL804 | | | with 120*120*25mm fan | 85 | 32 |
| PF804.1238 | ZL804 | | | with 120*120*38mm fan | 138 | 39 |
| PF804.1551 | ZL804 | | | with 150*150*150mm fan | 330 | 50 |
| PF804.1552 | ZL804 | | | with 172*150*50mm fan | 330 | 50 |
| PF804.1752 | ZL804 | | | with 172*172*50mm fan | 330 | 50 |

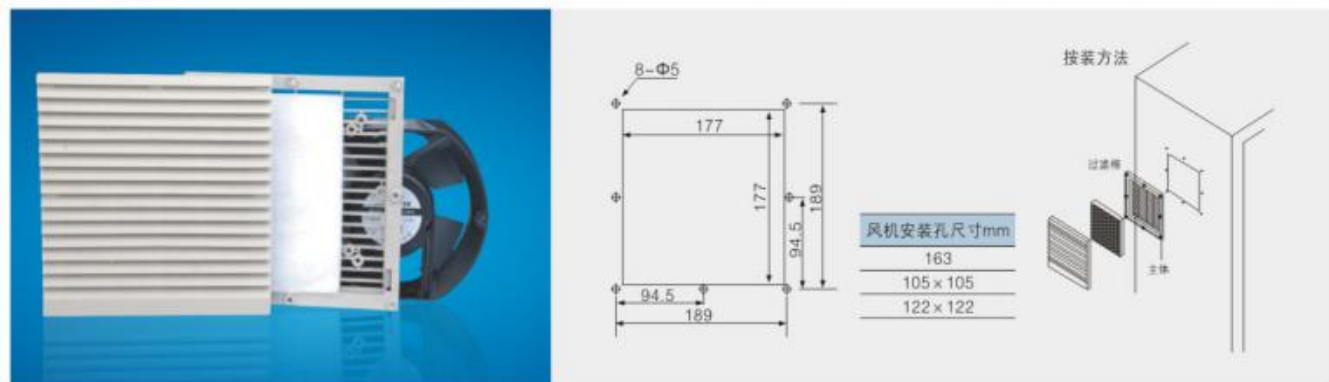
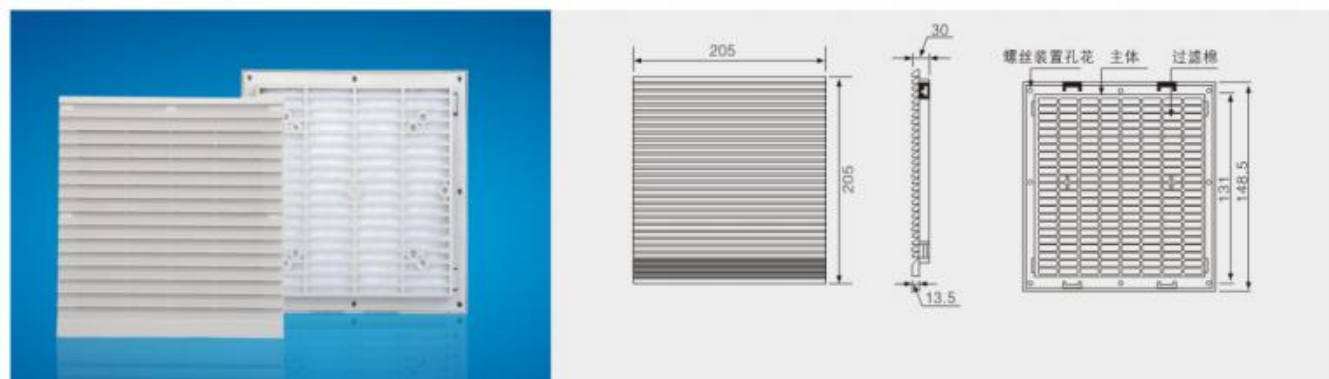
For special color please add the color code to the end of P/N





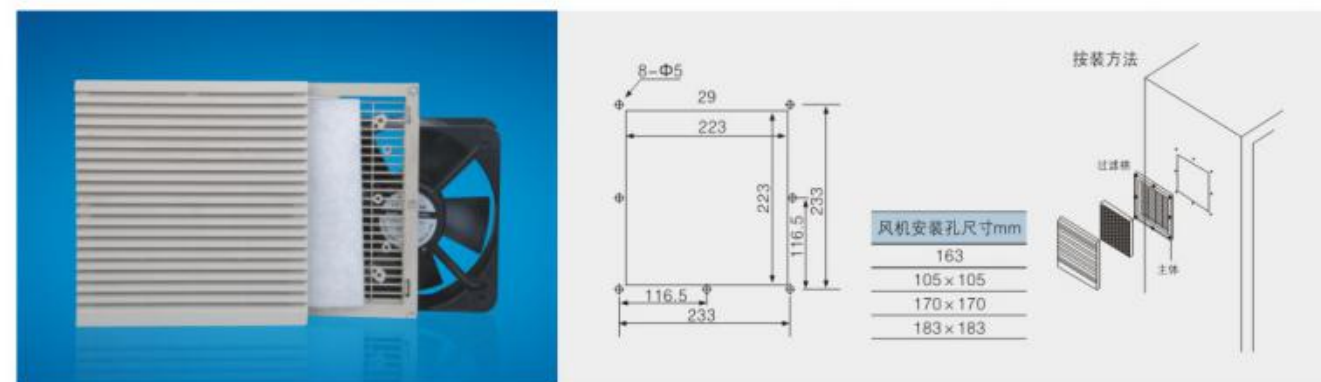
| P/N | Model | Outline size | Panel hole size | Fan code | Air volume m ³ /min | Noise (db) |
|------------|-------|----------------|-----------------|------------------------|--------------------------------|------------|
| PF205 | ZL205 | 205*205*13.5MM | 177*177MM | None | None | None |
| PF205.1225 | ZL205 | | | with 120*120*25mm fan | 85 | 32 |
| PF205.1238 | ZL205 | | | with 120*120*38mm fan | 138 | 39 |
| PF205.1551 | ZL205 | | | with 150*150*150mm fan | 330 | 50 |
| PF205.1552 | ZL205 | | | with 172*150*50mm fan | 330 | 50 |
| PF205.1752 | ZI205 | | | with 172*172*50mm fan | 330 | 50 |

For special color please add the color code to the end of P/N



| P/N | Model | Outline size | Panel hole size | Fan code | Air volume m ³ /min | Noise (db) |
|-------------|-------|----------------|-----------------|-----------------------|--------------------------------|------------|
| PF805 | ZI805 | 255*255*13.5MM | 223*223MM | None | None | None |
| PF805.1552 | ZL805 | | | with 172*150*50mm fan | 330 | 50 |
| PF805.1752 | ZL805 | | | with 172*172*50mm fan | 330 | 50 |
| PF805.18060 | ZL805 | | | with 180*180*60mm fan | 618 | 60 |
| PF805.20060 | ZL805 | | | with 200*200*60mm fan | 618 | 60 |
| PF805.22580 | ZI805 | | | with 225*225*80mm fan | 1150 | 69 |

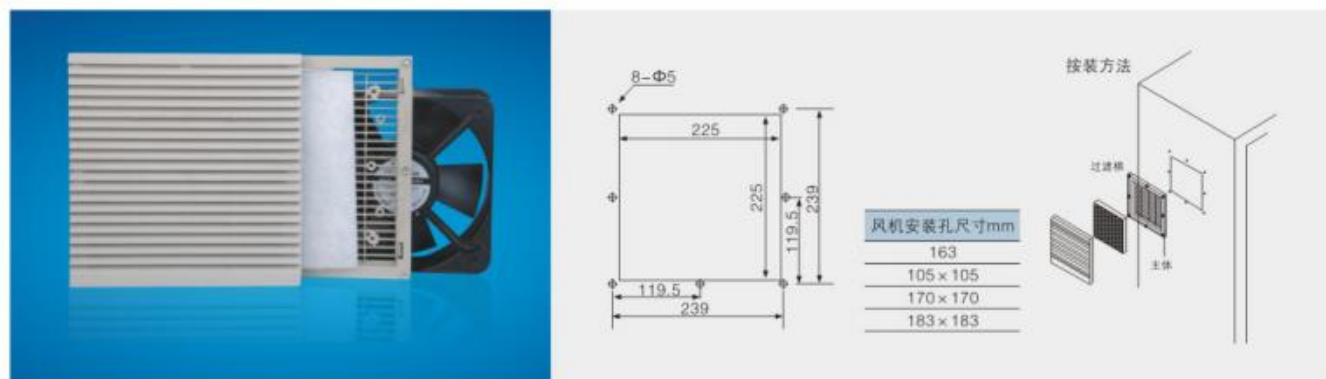
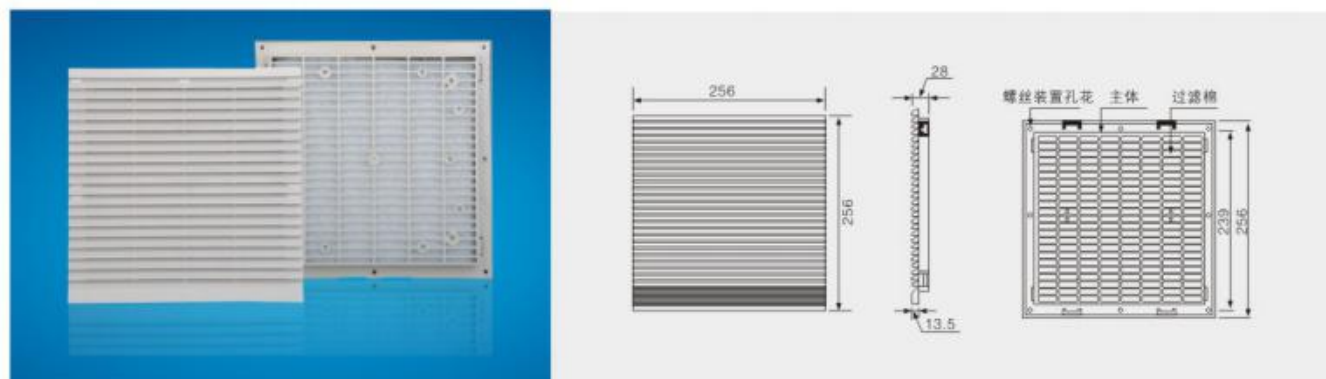
For special color please add the color code to the end of P/N





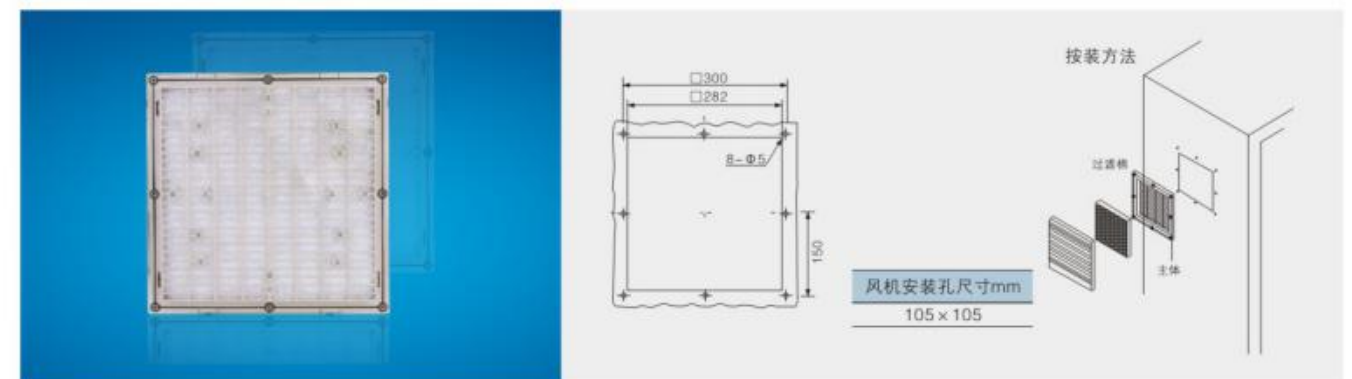
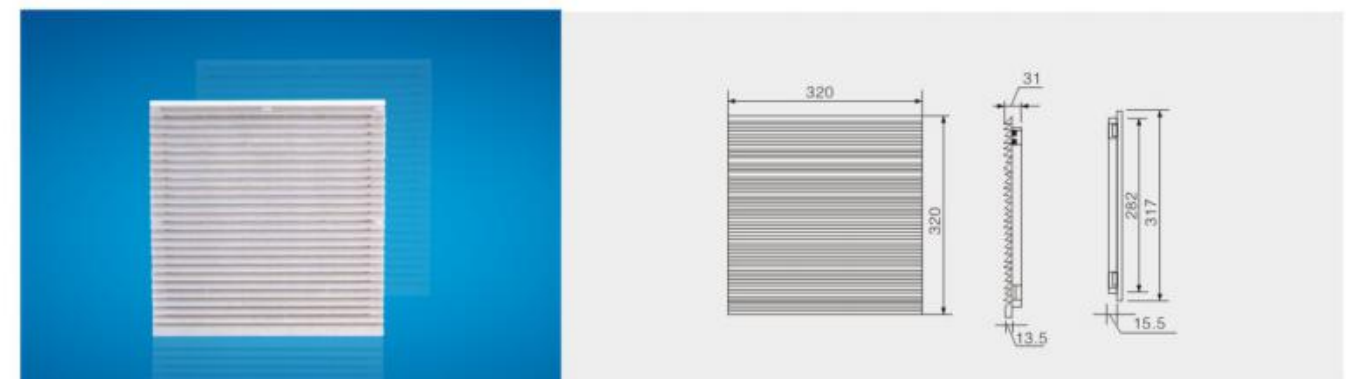
| P/N | Model | Outline size | Panel hole size | Fan code | Air volume m ³ /min | Noise (db) |
|-------------|-------|----------------|-----------------|-----------------------|--------------------------------|------------|
| PF256 | ZI256 | 256*256*13.5MM | 225*225MM | None | None | None |
| PF256.1552 | ZL256 | | | with 172*150*50mm fan | 330 | 330 |
| PF256.1752 | ZL256 | | | with 172*172*50mm fan | 330 | 330 |
| PF805.18060 | ZL805 | | | with 180*180*60mm fan | 618 | 60 |
| PF256.20060 | ZL256 | | | with 200*200*60mm fan | 618 | 618 |
| PF256.22580 | ZI256 | | | with 225*225*80mm fan | 1150 | 1150 |

For special color please add the color code to the end of P/N



| P/N | Model | Outline size | Panel hole size | Fan code | Air volume m ³ /min | Noise (db) |
|-------------|-------|----------------|-----------------|-----------------------|--------------------------------|------------|
| PF806 | ZL806 | 320*320*13.5MM | 282*282MM | None | None | None |
| PF806.22060 | ZL806 | | | with 220*220*60mm fan | 618 | 60 |
| PF806.20060 | ZL806 | | | with 200*200*60mm fan | 618 | 60 |
| PF806.22580 | ZI806 | | | with 225*225*80mm fan | 1150 | 69 |

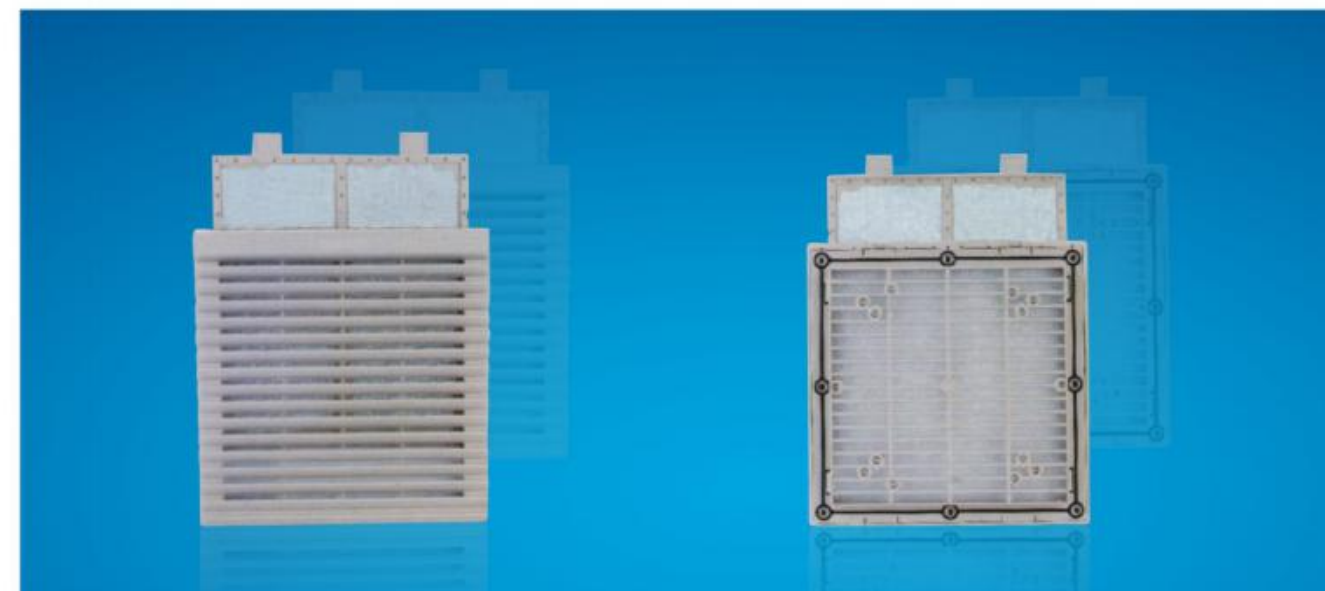
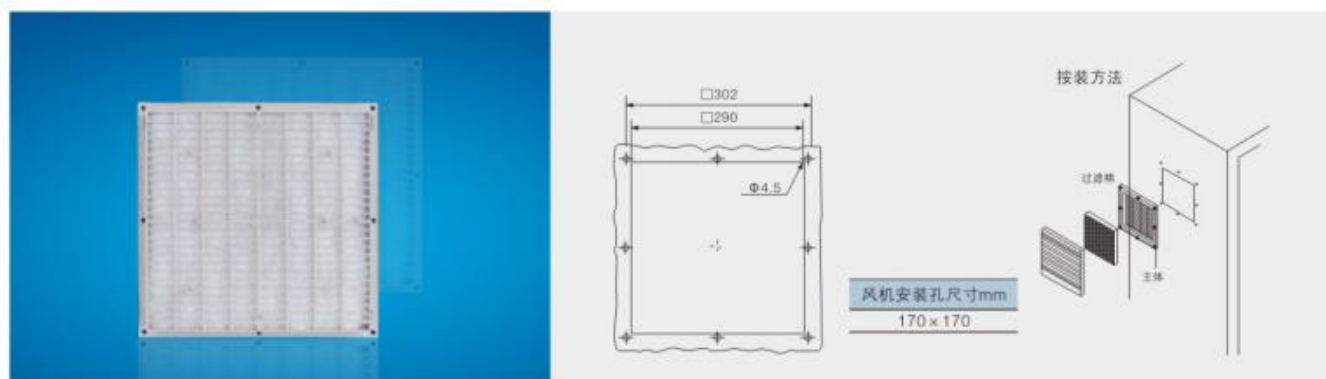
For special color please add the color code to the end of P/N



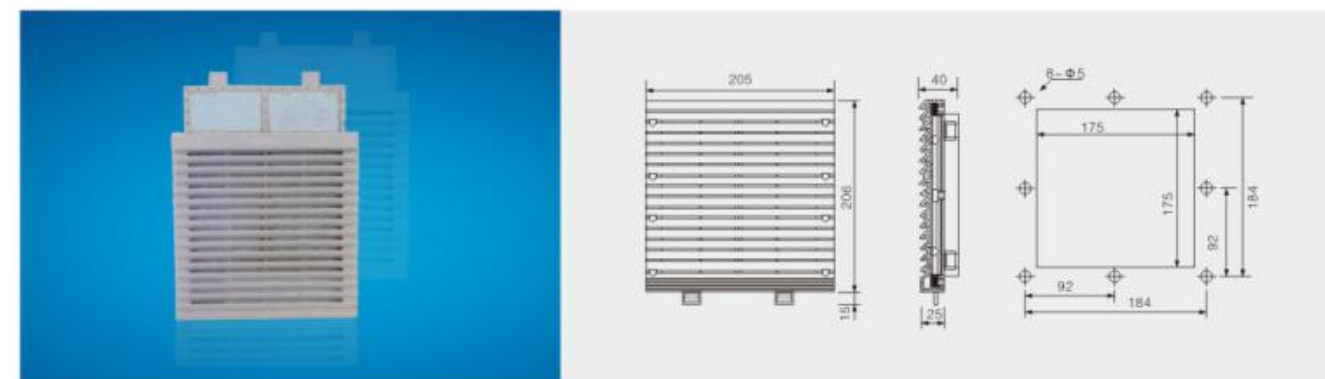


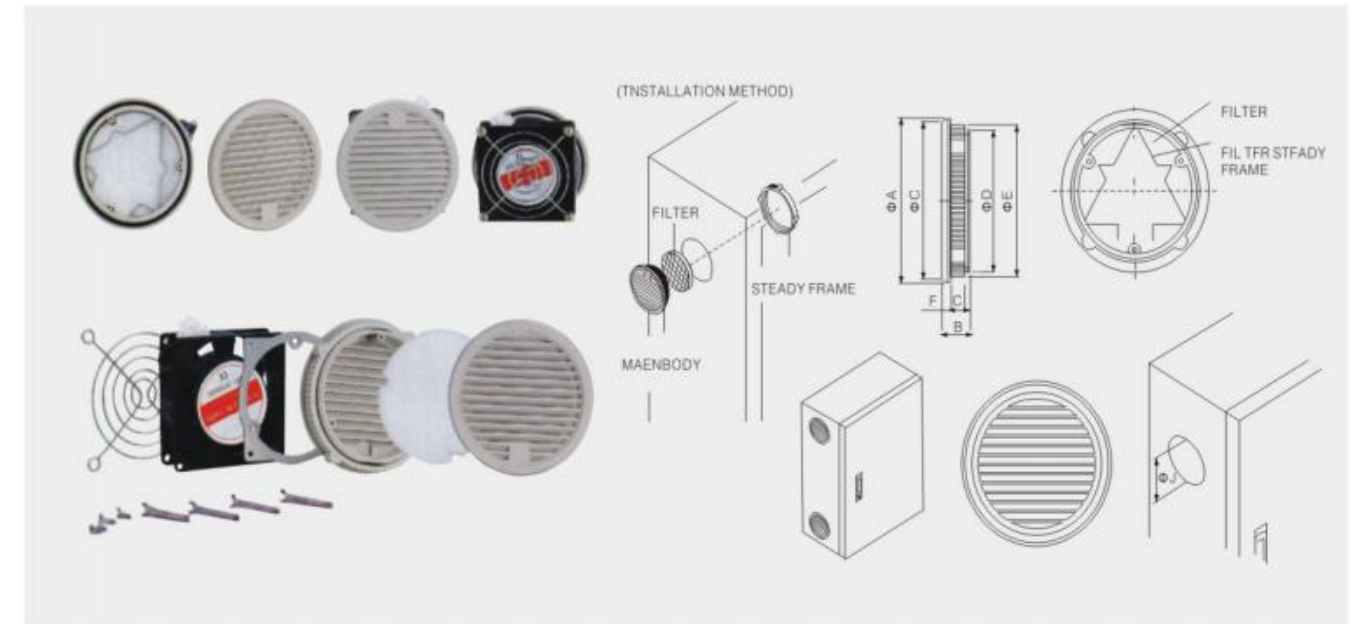
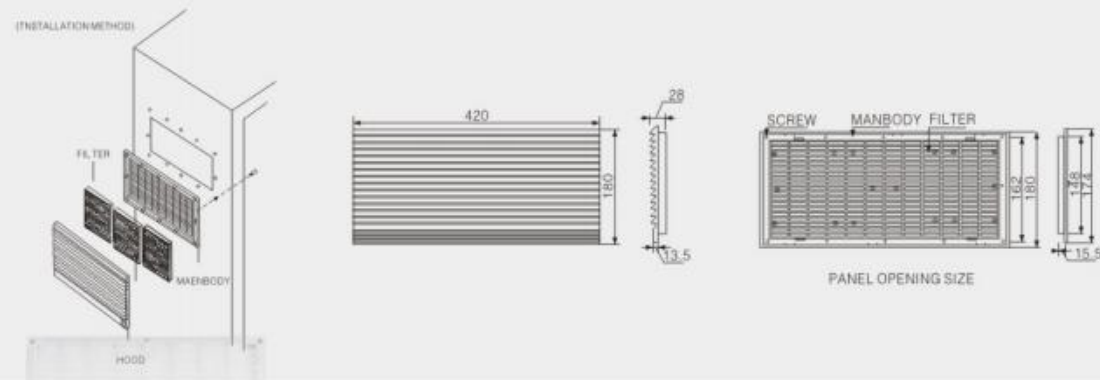
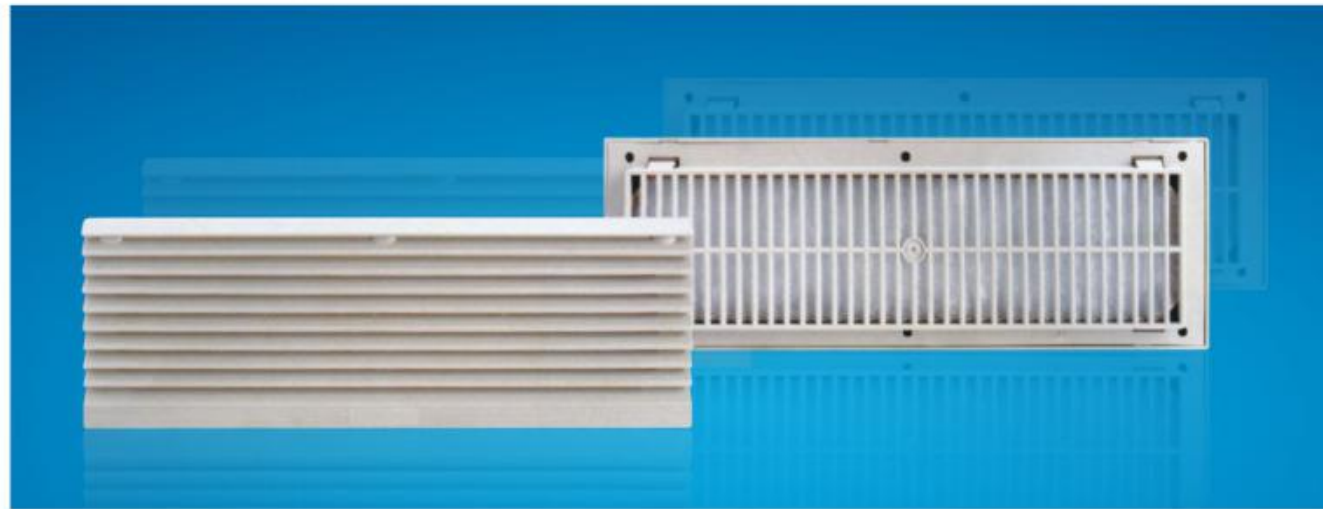
| P/N | Model | Outline size | Panel hole size | Fan code | Air volume m ³ /min | Noise (db) |
|-------|-------|----------------|-----------------|----------|--------------------------------|------------|
| PF320 | ZL320 | 323*323*13.5MM | 290*290MM | None | None | None |

For special color please add the color code to the end of P/N



| 产品型号 | 外型尺寸(露出部分) | 有效风量 | 最大风速 | 除尘率 | 压损范围 | 使用温度 | 材料 | 防火等级 | 重量 | 防护等级 |
|--------|------------------------|-----------------------|----------|-----|------------------------------|---------------|-------|----------|------|------|
| PB9804 | 150mm x 150mm x 13.5mm | 25m ³ /min | 2.0m/sec | 86% | 6.7-20 INCH-H ₂ O | 室内-10°C~+55°C | ABS树脂 | 94V-0,UL | 156g | IP44 |

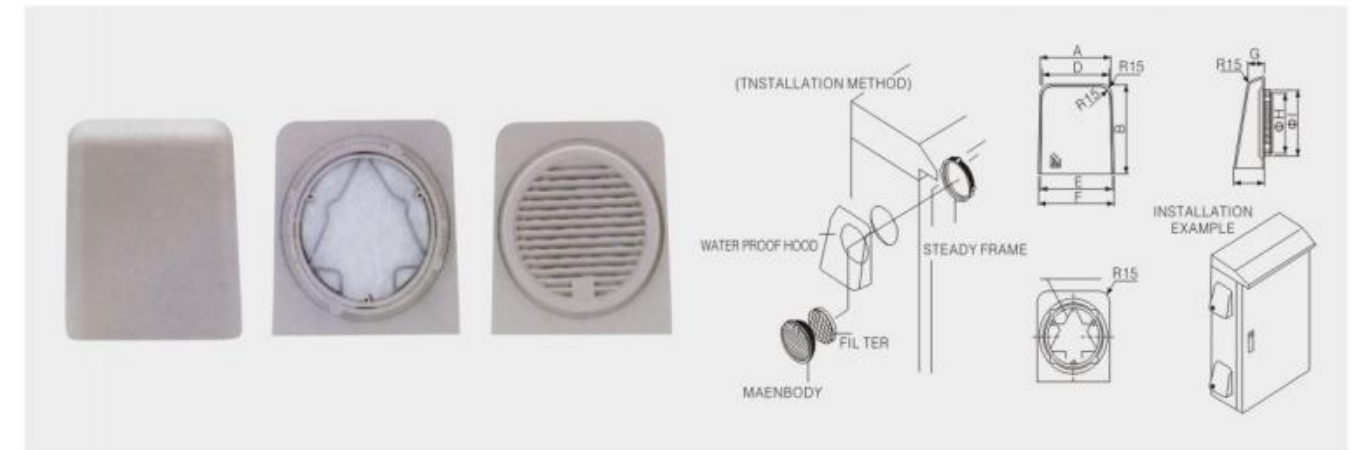




Round Size Ventilator Filter Unit

Specification

| Model | Sizes (mm) | | | | | | | | Package quantity | Notification |
|----------|--------------|------|-----|-------|-----|---|----|-----|------------------|-------------------------------|
| | ΦA | B | ΦC | ΦD | ΦE | F | G | ΦJ | | |
| FB-9801B | 105 | 22.5 | 101 | 88.8 | 97 | 6 | 10 | 90 | 1PC | Protected classification IP54 |
| FB-9802B | 120 | 22.5 | 116 | 110.8 | 109 | 6 | 10 | 102 | 1PC | Protected classification IP54 |



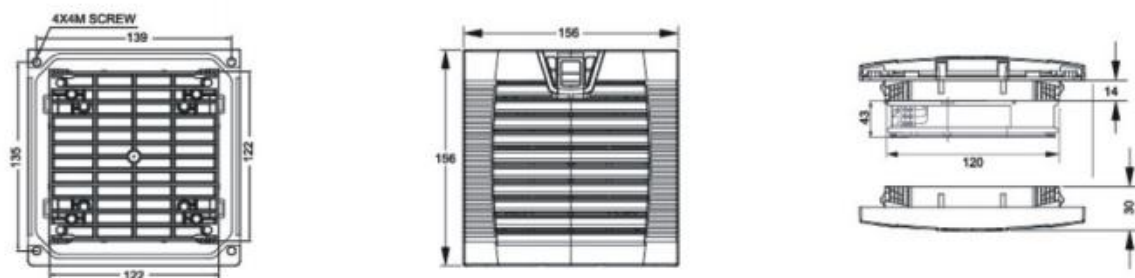
Rain-Resistance Hood

Specification

| Model | Sizes (mm) | | | | | | | | | | Package quantity | Notification |
|----------|--------------|-----|----|-----|-----|-----|----|-------|-----|-----|------------------|-------------------------------|
| | A | B | ΦC | D | E | F | G | ΦH | ΦI | ΦJ | | |
| FB-9801B | 110 | 130 | 50 | 110 | 110 | 120 | 30 | 88.8 | 97 | 90 | 1PC | Protected classification IP54 |
| FB-9802B | 125 | 140 | 50 | 125 | 125 | 130 | 30 | 100.8 | 109 | 102 | 1PC | Protected classification IP54 |



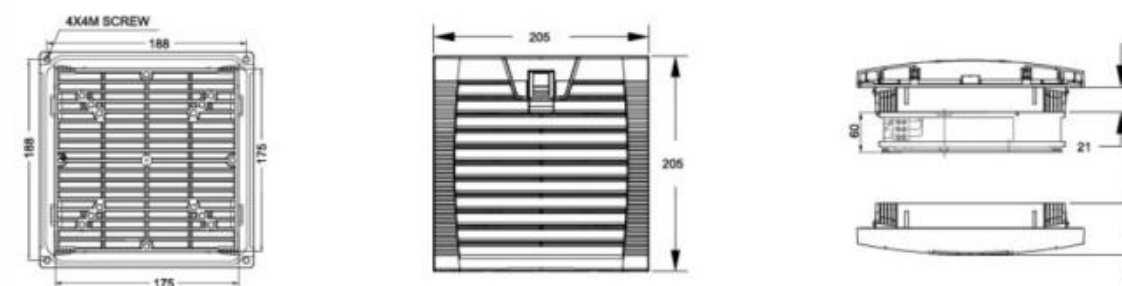
Sketch Map



| Model No. fan-and-filter unit DS | 9803.230 | 9803.115 | 9803.024 |
|---|--|------------|----------------------|
| Rated operating voltage V,Hz | 230, 50/60 | 115, 50/60 | 24 (DC) |
| Air throughput,unimpeded air flow | 65/85 m ³ /h | | 85 m ³ /h |
| Air throughput with outlet filter including standard filter mat | 1 x DS 9803.300: 55/70 m ³ /h | | |
| Axial fan | Self-starting shaded pole motor | | DC motor |
| Rated current max. | 0.12/0.10A | 0.24/0.20A | 0.35 A |
| Power | 19.0/14.0 W | | 7.7 W |
| Noise level | 36/40 dB(A) | | 40 dB(A) |
| Temperature range | -10 to +55°C | | |
| Colour | RAL 7035 | | |
| Protection category to EN 60 529/09.2000 | IP 54 standard IP 56 when using a hose-proof hood | | |
| Model No. outlet filter DS | 9803.300 | | |



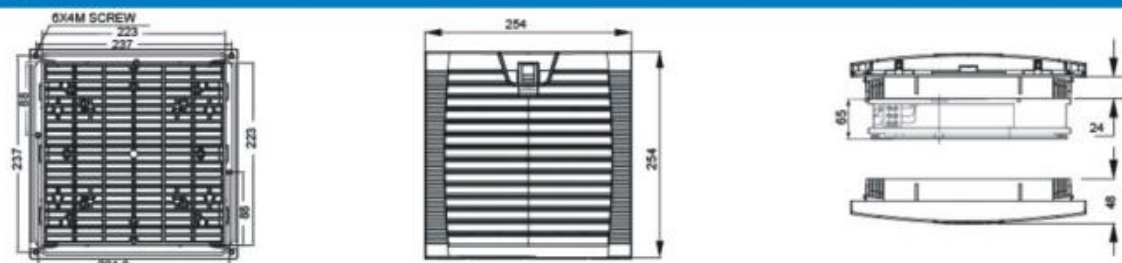
Sketch Map



| Model No. fan-and-filter unit DS | 9804.230 | 9804.115 | 9804.024 |
|---|--|-------------|--|
| Rated operating voltage V,Hz | 230, 50/60 | 115, 50/60 | 24 (DC) |
| Air throughput,unimpeded air flow | 240/220 m ³ /h | | 220 m ³ /h |
| Air throughput with outlet filter including standard filter mat | 1 x DS 9804.300: 145/110 m ³ /h 2 x DS 9804.300: 185/155 m ³ /h | | 1 x DS 9804.300: 185/155 m ³ /h |
| Axial fan | Self-starting shaded pole motor | | DC motor |
| Rated current max. | 0.48/0.46 A | 0.24/0.26 A | 0.58 A |
| Power | 41.0/38.0 W | | 14 W |
| Noise level | 48/50 dB(A) | | 50 dB(A) |
| Temperature range | -10 to +55°C | | |
| Colour | RAL 7035 | | |
| Protection category to EN 60 529/09.2000 | IP 54 standard | | |
| Model No. outlet filter DS | 9804.300 | | |



Sketch Map



| Model No. fan-and-filter unit DS | 9805.230 | 9805.115 |
|---|---|-------------|
| Rated operating voltage V/Hz | 230, 50/60 | 115, 50/60 |
| Air throughput, unimpeded air flow | 240/820 m ³ /h | |
| Air throughput with outlet filter including standard filter mat | 1 x DS 9805.300: 500/600 m ³ /h 2 x DS 9805.300: 650/800 m ³ /h | |
| Axial fan | Capacitor motor | |
| Rated current max. | 0.48/0.46 A | 0.24/0.26 A |
| Power | 50 W | |
| Noise level | 59 dB(A) | |
| Temperature range | -10 to +55°C | |
| Colour | RAL 7035 | |
| Protection category to EN 60 529/09.2000 | IP 54 standard IP 55 when using an additional fine filter mat IP 56 when using an additional fine filter mat and hose-proof hood | |
| Model No. outlet filter DS | 9805.300 | |

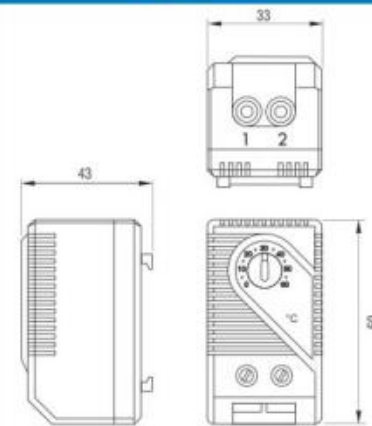


- Large setting range
- Small size
- Simple to mount
- High switching performance

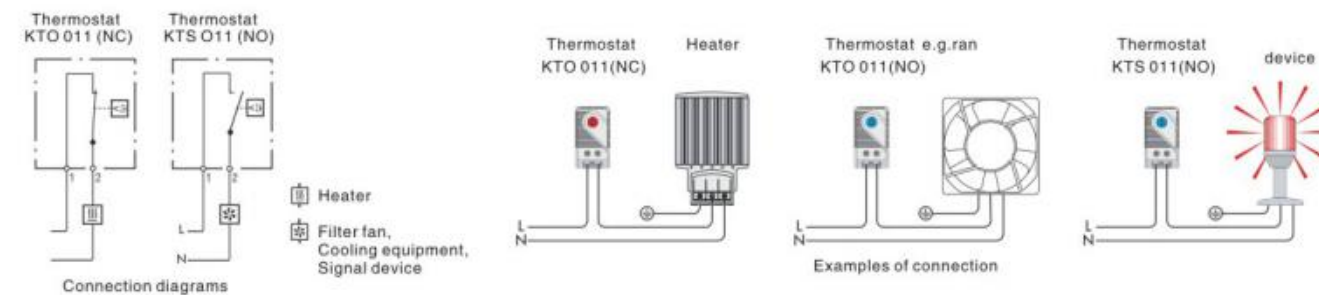
KTS 011 1-2: Thermostat (normally closed); contact breaker for regulating heaters.

KTO 011 1-2: Thermostat (normally open); contact maker for regulating filter fans and heat exchangers or for switching signal device when temperature limit has been exceeded.

Installing method



| | |
|----------------------------------|--|
| KTO 011 1-2 NC (Normally closed) | When the temperature reaches the set value, open circuit |
| KTS 011 1-2 NO (Normally open) | When the temperature exceeds the set value and, closed circuit |
| Switch temperature difference | 7K(+4K tolerance) |
| Sensor element | thermostatic bimetal |
| Contact type | Snap-action |
| Contact resistance | < 10m ohm (incidental connection line) |
| Service life | > 100,000 cycles |
| Axax. Switching capacity | 250VAC, 1.0(2)A 120VAC, 1.5(2)A 30WDC at 24VDC to 72V DC |
| Connection | 2-pole terminal, clamping torque 0.5Nm max.: rigid wire 2.5mm ² r12r stranded wire (with wire end ferrule) 1.5mm ² r12 |
| Casing | plastic according to UL94 V-0, light grey |
| Installation | 35mm DIN installation guide |
| Dimensions | 60 x 33 x 43mm |
| VVeight | 40g |
| fitting position | variable |
| Operating/Storage temperature | -20°C to +80°C |
| Protection type | IP20 e.g. Signal |



| Setting range | Art. No. Contact Breaker (NC) | Art. No. Contact Maker (NO) | Approvals |
|----------------|-------------------------------|-----------------------------|-----------|
| 0 to +60°C | 01140.0-00 | 01141.0-00 | CE |
| -10 to +50.0°C | 01142.0-00 | 01143.0-00 | CE |
| +20 to +80.0°C | 01159.0-00 | 01158.0-00 | CE |
| 0 to +60°C | 01146.9-00 | 01147.9-00 | CE |



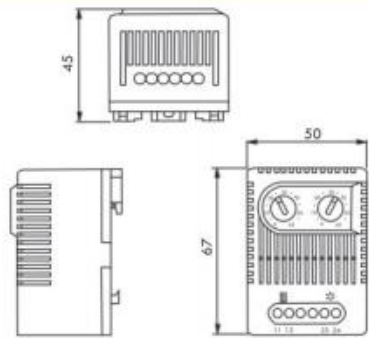
- NO and NC in one casing
- Separate adjustable temperatures
- High switching capacity
- Terminals easily accessible
- Clip Fixing

Two thermostats in one casing:

Thermostat (contact breaker, normally closed) for regulating heaters
Thermostat (contact make, normally open) for regulating filter-fans and heat exchangers or switching signal devices when temperature limit has been exceeded.

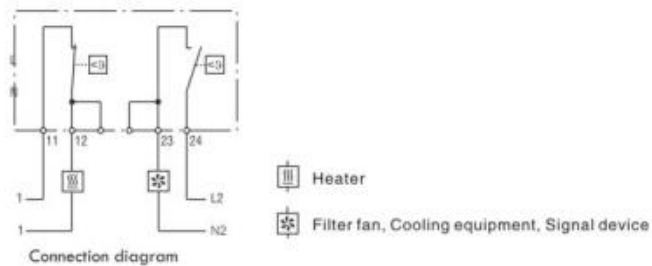
Heaters and cooling equipment can be switched independently from each other with a temperature offset as opposed to the usual change-over contacts.

Size chart



| | |
|-------------------------------|--|
| Temperature range | N07NC:0-60°C |
| Switch temperature difference | 7K(+4K tolerance) |
| Sensor element | thermostatic bimetal |
| Contact type | Snap-action |
| Contact resistance | <10m ohm |
| Service life | >1 00,000 cycles |
| Max. Switching capacity | 250VAC, 1 0(2)A 120VAC, 1 5(2)A DC 30W |
| Connection | 4-pole terminal, clamping torque 0.5Nm max: rigid wire 2.5mm ² , stranded wire with wire end ferrule 1.5mm ² |
| Installation | 35mm DIN Installation guide |
| Casing | UL94 V-O Plastic, light gray |
| Dimensions | 67x50x46mm |
| Weight | 90g |
| fitting position | variable |
| Operating/Storage temperature | -20°C to +80°C |
| Protection type | Ip20 |

Thermostat
ZR 011(NC/NO)



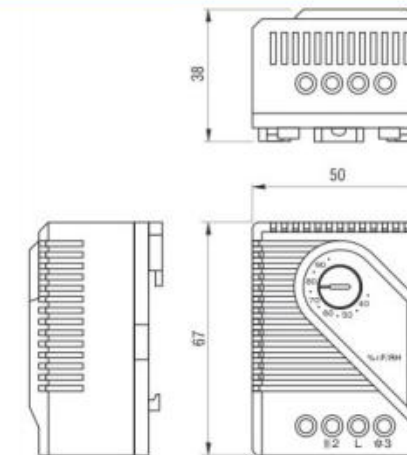
| Art. No. | Setting Range | Setting Range |
|----------|------------------------------------|----------------------------------|
| ZR 011-2 | Contact breaker (NC) 0 to +60°C | Contact maker (NO) 0 to +60°C |



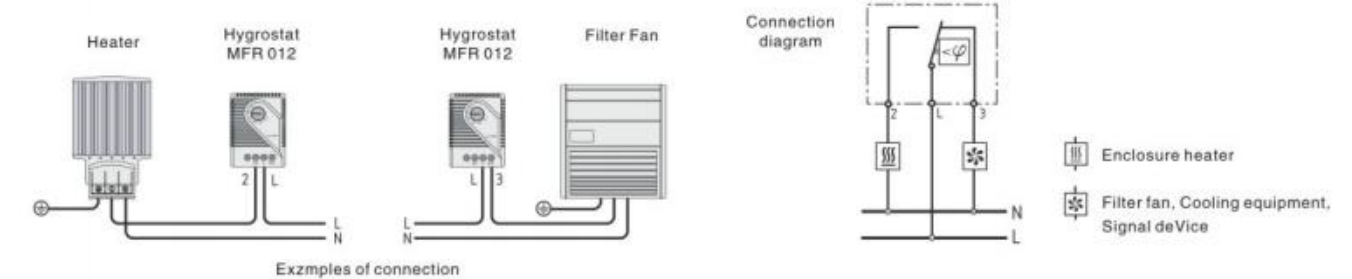
- Adjustable relative humidity
- Easily accessible terminals
- Change-over contact
- Clip fixing
- High switching capacity

The electromechanical hygrostat is designed to control enclosure heaters so that the dew point is raised when a critical relative humidity of 65% is exceeded. In this way condensation and corrosion in enclosures with electric/electronic components is effectively prevented.

Connection



| | |
|---------------------------------|--|
| Switch difference* | 4070 RH (+ 3% tolerance) |
| Permissible air velocity | 15m/sec. |
| Contact type | change-over contact |
| Service life | >50,000 cycles |
| Mix. Switching capacity | 250VAC, 5A 20WDC |
| Max. Switching capacity | 5AAC |
| Connection | 3-pole terminal for 2.5mm ² , clamping torque 0.5Nm max: rigid wire 2.5mm ² stranded wire (with wire end ferrule) 1.5mm ² |
| Mounting | plastic according to UL94 V-O, light grey |
| Casing | 67 x 50 x 38mm |
| Dimensions | approx. 60g |
| Weight | variable |
| Fitting position | 0 to +60°C (+32 to +140° F) / -40 to +60°C (-40 to +140° F) |
| Operating / Storage temperature | max. 90% RH (non-condensing) |
| Operating / Storage humidity | IP20 |
| Protection type | UL File No. E164102 |
| Approvals | |



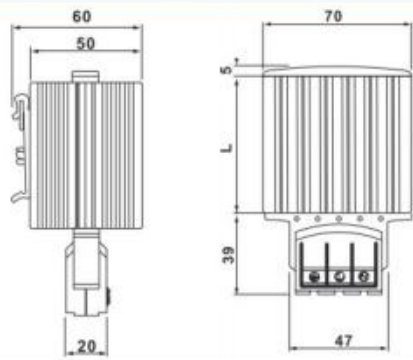
| Art. No. | Setting range |
|----------|---------------|
| MFR012-2 | 35 to 95% RH |



- Pressure clamp connectors
- Dynamic heating up
- wide voltage range
- Temperature limiting
- Energy saving
- Clip fixing
- Quick installation

These heaters are used in enclosures where damage from condensation must be prevented or where the temperature may not fall below a minimum value. The aluminium profile heater body design has a chimney effect and distributes the heat evenly. The pressure clamp connectors save time and simplify installation.

Size chart



| | |
|----------------------------------|---|
| Operating voltage | 120-250V AC/DC |
| Heating element | PTC resistor, self regulating and temperature limiting |
| Heater body | extruded aluminium profile, anodised |
| Connection casing | 3 pressure clamps for stranded wire 0.5-1.5mm ² (with wire and ferrule) and rigid wire 0.5-2.5mm ² plastic according to UL94 V-0, black |
| Mounting | clip for 35mm DIN rail, EN 50022 |
| Fitting position | vertical |
| Operating/Storage temperature | -45 to +70°C (-49 to +158°F) |
| Protection type/Protection class | IP20/I(earthed) |
| Certificate | CE |

Operating with voltages below 140V AC/DC reduces heating performance by approx. 10%

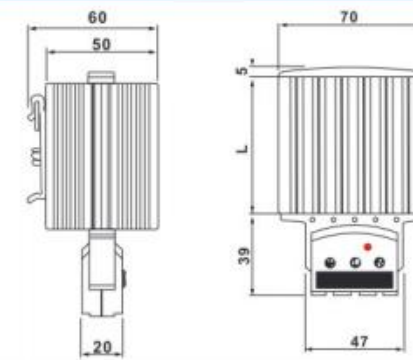
| Type | Heating capacity | Inrush current max. | Length(L) (mm) | Weight (approx) |
|--------|------------------|---------------------|----------------|-----------------|
| HG 140 | 15W | 1.5 | 75 | 0.3 |
| HG 140 | 30W | 3 | 75 | 0.3 |
| HG 140 | 45W | 3.5 | 75 | 0.3 |
| HG 140 | 60W | 2.5 | 75 | 0.3 |
| HG 140 | 75W | 4 | 75 | 0.3 |
| HG 140 | 100W | 4.5 | 145 | 0.5 |
| HG 140 | 150W | 9 | 145 | 0.5 |



- Screw terminal connector
- Dynamic heating up
- wide voltage range
- Temperature limiting
- With indicator showing on/off
- Energy saving
- Clip fixing
- Quick installation

These heaters are used in enclosures where damage from condensation must be prevented or where the temperature may not fall below a minimum value. The aluminium profile heater body design has a chimney effect and distributes the heat evenly. The pressure clamp connectors save time and simplify installation.

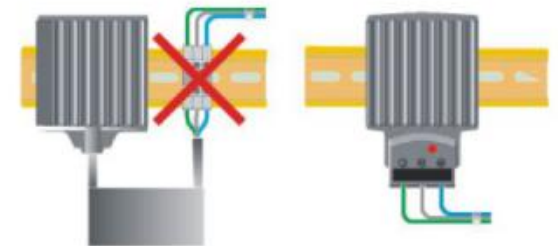
Size chart



| | |
|----------------------------------|---|
| Operating voltage | 120-250V AC/DC |
| Heating element | PTC resistor, self regulating and temperature limiting |
| Heater body | extruded aluminium profile, anodised |
| Connection casing | 3 pressure clamps for stranded wire 0.5-1.5mm ² (with wire and ferrule) and rigid wire 0.5-2.5mm ² plastic according to UL94 V-0, black |
| Mounting | clip for 35mm DIN rail, EN 50022 |
| Fitting position | vertical |
| Operating/Storage temperature | -45 to +70°C (-49 to +158°F) |
| Protection type/Protection class | IP20/I(earthed) |
| Certificate | CE |

Operating with voltages below 140V AC/DC reduces heating performance by approx. 10%

| Type | Heating capacity | Inrush current max. | Length(L) (mm) | Weight (approx) |
|--------|------------------|---------------------|----------------|-----------------|
| LK 140 | 15W | 1.5 | 65 | 0.2 |
| LK 140 | 30W | 2.5 | 65 | 0.2 |
| LK 140 | 45W | 3 | 65 | 0.2 |
| LK 140 | 60W | 3.5 | 65 | 0.2 |
| LK 140 | 75W | 4 | 65 | 0.2 |
| LK 140 | 100W | 4.5 | 145 | 0.4 |
| LK 140 | 150W | 9 | 145 | 0.4 |

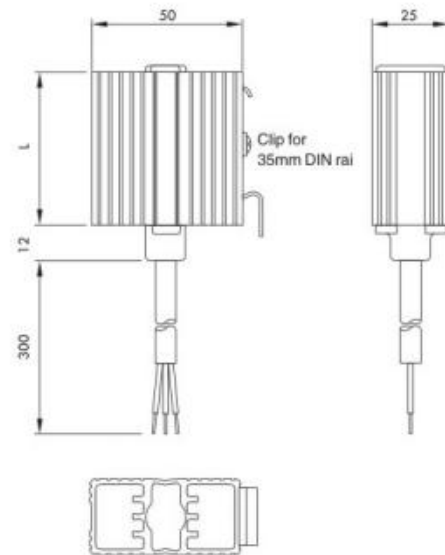
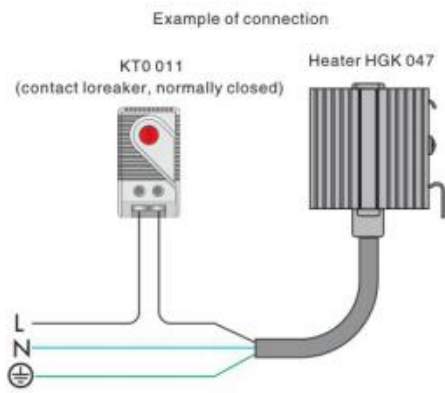




- Dynamic heating up
- Energy saving
- Wide voltage range
- Clip fixing

The heaters are used in enclosures where condensation is to be prevented or the temperature may not fall below a minimum value. In this way corrosion is avoided and an even temperature is ensured. The heaters are designed for permanent operation.

| | |
|------------------------------------|--|
| Heating element | PTC resistor – temperature limiting |
| Heater body | extruded aluminium profile, anodised |
| Mounting | clip for 35mm DIN rail, EN 60715 |
| Fitting position | vertical airflow (air outlet up, connection on bottom) |
| Operating / Storage | -45 to +70°C (-49 to +158° F) |
| Operating / Storage humidity | max. 90% RH (non-condensing) |
| Protection type / Protection class | IP44/I(earthed) |
| Accessories | screw fixing |
| Note | other voltages on request |



| Art. No. | Operating voltage | Heating capacity ¹⁾ | Inrush current max. | Pre-fuse T(time-delay) | Length(L) | Weight (approx.) | Connection | Approvals |
|------------|------------------------------|--------------------------------|---------------------|------------------------|-----------|------------------|---|-----------|
| 04700.0-00 | 120-240V AC/DC ²⁾ | 10W | 1.0A | 1A | 52mm | 0.1kg | 3 x 0.5mm ² x 300mm cable (silicone) | CE |
| 04701.0-00 | 120-240V AC/DC ²⁾ | 20W | 2.5A | 2A | 60mm | 0.2kg | 3 x 0.5mm ² x 300mm cable (silicone) | CE |
| 04702.0-00 | 120-240V AC/DC ²⁾ | 30W | 3.0A | 2A | 70mm | 0.2kg | 3 x 0.5mm ² x 300mm cable (silicone) | CE |
| 04700.9-00 | 110-120V AC/DC | 10W | 1.0A | 1A | 52mm | 0.1kg | 3 x AWG 20 x 300mm cable | CE |
| 04701.9-00 | 110-120V AC/DC | 20W | 1.5A | 2A | 70mm | 0.2kg | 3 x AWG 20 x 300mm cable | CE |
| 04702.9-00 | 110-120V AC/DC | 30W | 1.5A | 2A | 100mm | 0.2kg | 3 x AWG 20 x 300mm cable | CE |

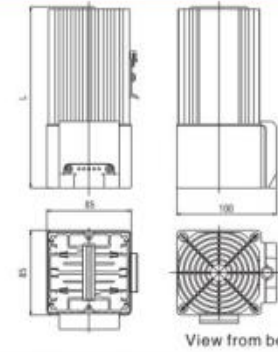
¹⁾ at 20°C (68° F) ambient temperature; ²⁾ (min. 110V, max 265V) Operating with voltages below 140V AC/DC reduces heating performance by approx. 10%.



- Compact Design
- Clip fixing
- Long service life
- Maintenance free
- Temperature safety cut-out

Compact fan heater prevents formation of condensation* The integrated high performance axial fan provides forced air circulation and so guarantees an even temperature in enclosures. With internal terminal connector.

Size chart



| | |
|----------------------------------|--|
| Operating voltage | 230V AC 50/60Hz |
| Heating element | PTC resistor, self regulating and temperature limiting |
| Temperature safety cut-out | to protect against OVerheating in case of fan failure |
| Heater body | anodised extruded aluminium profile |
| Surface temperature | max. 75°C(400VV) |
| Axial fan, ball bearing | Airflow, free flow AC: 45m ³ /h (50HZ) or 54m ³ /h (60Hz) DC: 54m ³ /h service life 50 000h at 25°C (77°F) |
| Connection | internal connection terminal 1.5mm ² with strain relief clamping torque 0.8Nm max. |
| Connection casing | plastic according to UL94 V-O,black |
| Mounting | clip for 35mm DIN rail, EN 50022 |
| Fitting position | vertical |
| Operating/Storage temperature | -45 to +70 0C(-49 to +158° F) |
| Protection type/Protection class | IP20 / I (earthed) |

| Type | Operating voltage | Heating capacity | Length(L) | Weight(approx.) |
|------------|-------------------|------------------|-------------|-----------------|
| HGL046-250 | 230VAC, 50/60HZ | 250W | 85x182x85mm | 1.10kg |
| HGL046-400 | 230VAC, 50/60HZ | 400W | 85x222x85mm | 1.40kg |

