

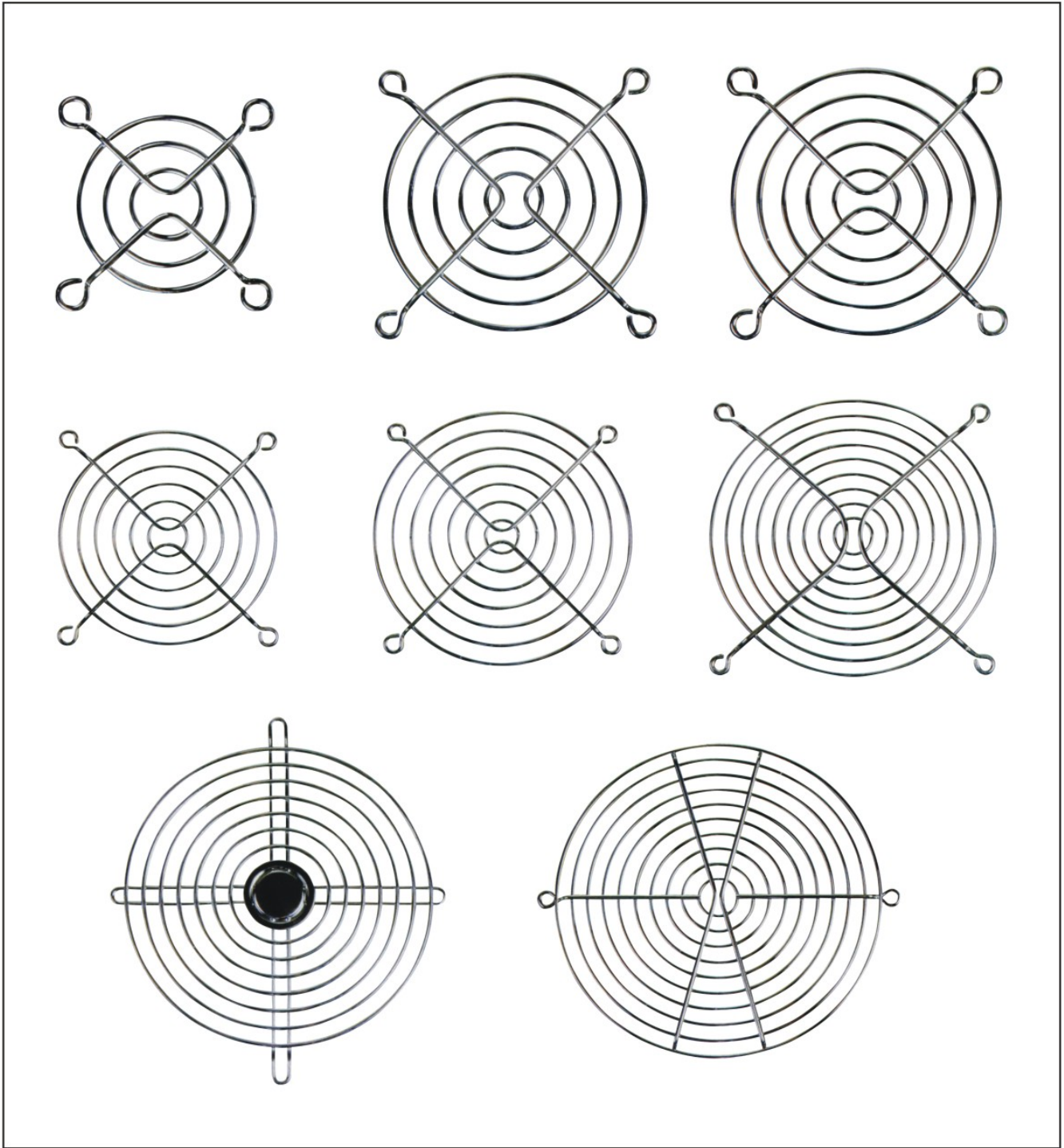
Material: C1088 lustrous metal wire and 304 stainless steel

Surface treatment: lustrous Nickel Chrome plating

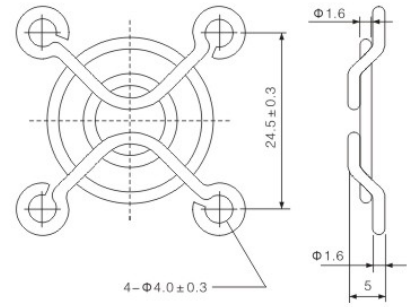
With welding point bearing force of 88 pounds

IP code: IP40

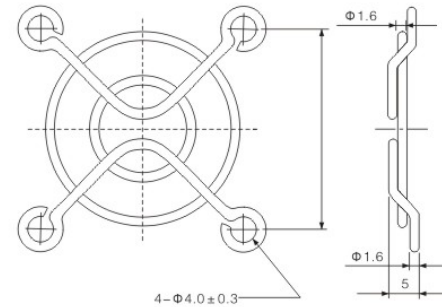
Applicable to fans of 40,50,60,70,80,92,110,120,127,135,150,172,180,200,220 and 254.



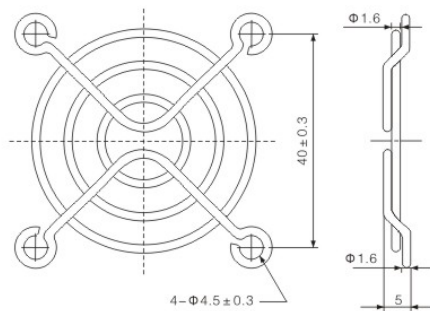
FG-03 FOR 30MM FAN



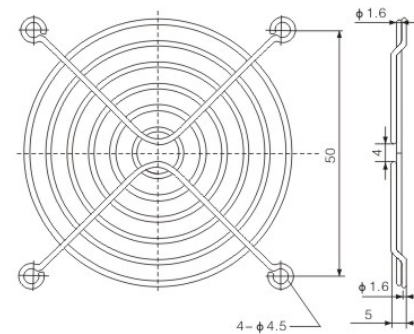
FG-04 FOR 40MM FAN



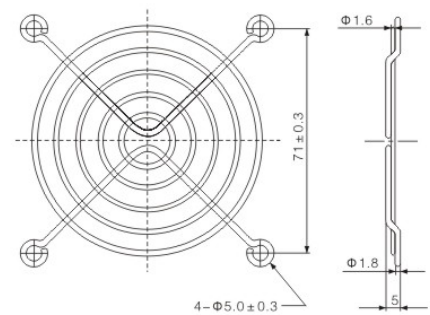
FG-05 FOR 50MM FAN



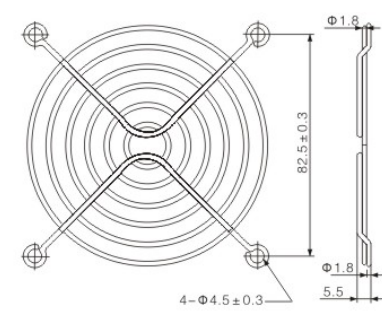
FG-06 FOR 60MM FAN



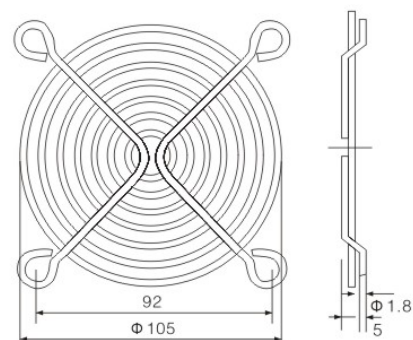
FG-08 FOR 80MM FAN



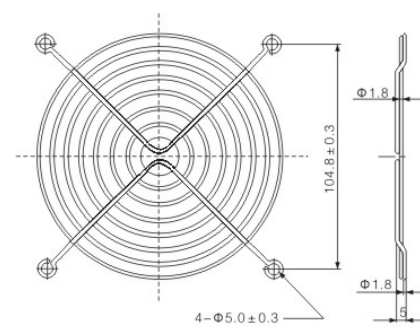
FG-09 FOR 92MM FAN



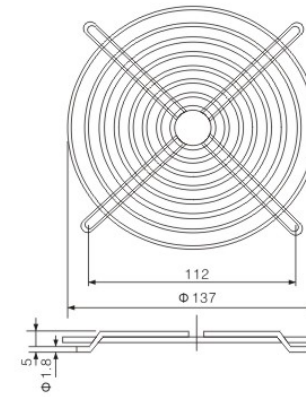
FG-110 FOR 110MM FAN



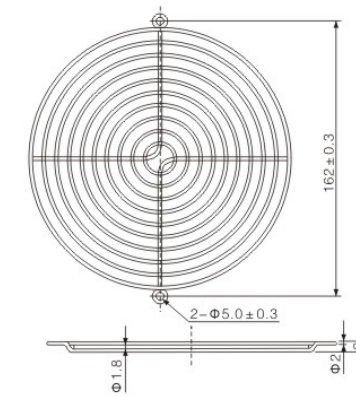
FG120 FOR 120MM FAN



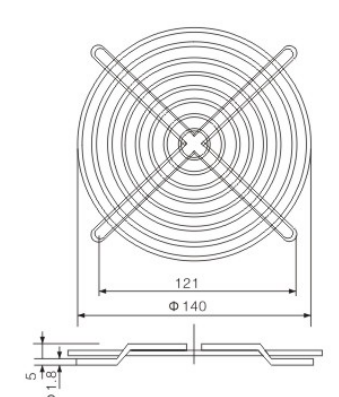
FG-135 FOR 135MM FAN



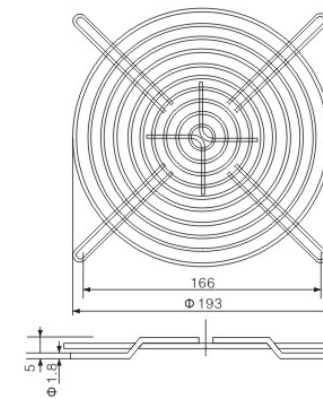
FG150-2 FOR 172*150MM FAN



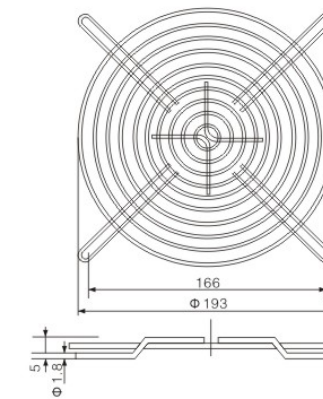
FG-150 FOR 150MM FAN



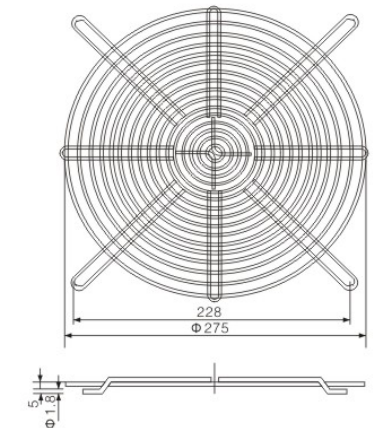
FG-180 FOR 180MM FAN



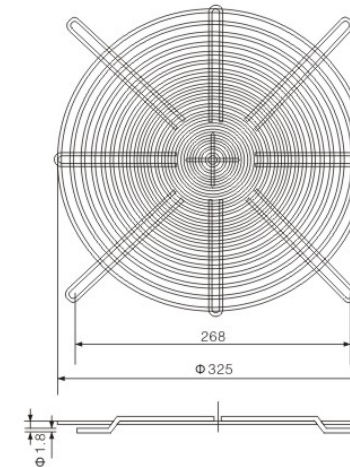
FG-200 FOR 200MM FAN



FG-250 FOR 250MM FAN



FG-300 FOR 300MM FAN



MODEL	WEIGHT/PCS	PCS/BOX	PCS/CTN
FG03	4g	100	1000
FG04	5g		1000
FG05	7g		1000
FG06	10g		1000
FG08	17g		1000
FG09	21g		1000
FG110	30g		600
FG120	32g		600
FG135	36g		400
FG150	44g		400
FG150-2	54g		400
FG180	69g	200	
FG200	81g	200	
FG250	160g	100	
FG300	241g	100	