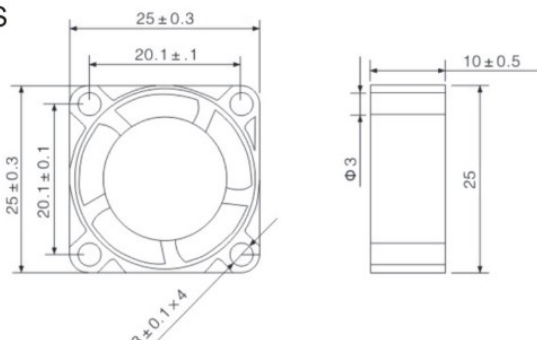


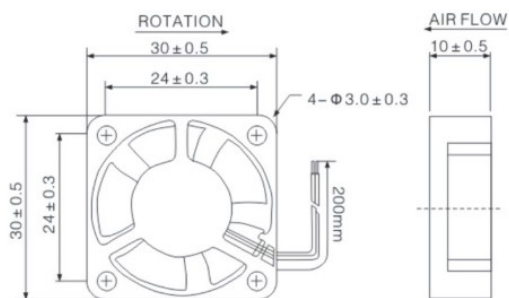
## DC AXIAL FAN:25X25X10mm SERIES



### Specification

Model	Bearing	Rated voltage	Rated current	Rated input power	Nominal speed	Air flow		Air pressure		Noise	Weight
		(V)	(A)	(W)	(RPM)	(CFM)	(m <sup>3</sup> /min)	(mm/H <sub>2</sub> O)	(inch-H <sub>2</sub> O)	(dBA)	(g)
DF2510L05	sleeve/ball	5	0.09	0.45	7000	1.21	0.034	2.18	0.085	19.6	6.8
DF2510L12	sleeve/ball	12	0.13	0.36	7000	1.21	0.034	2.18	0.085	19.6	
DF2510M05	sleeve/ball	5	0.03	0.65	10000	1.99	0.056	4.48	0.176	22.8	
DF2510M12	sleeve/ball	12	0.05	0.6	10000	1.99	0.056	4.48	0.176	22.8	
DF2510H05	sleeve/ball	5	0.17	0.85	12000	2.38	0.067	7.37	0.290	25.2	
DF2510H12	sleeve/ball	12	0.08	0.96	12000	2.38	0.067	7.37	0.290	25.2	
DF2510H05-HH	sleeve/ball	5	0.28	1.15	15000	2.98	0.084	7.98	0.314	28.9	
DF2510H12-HH	sleeve/ball	12	0.1	1.2	15000	2.98	0.084	7.98	0.314	28.9	

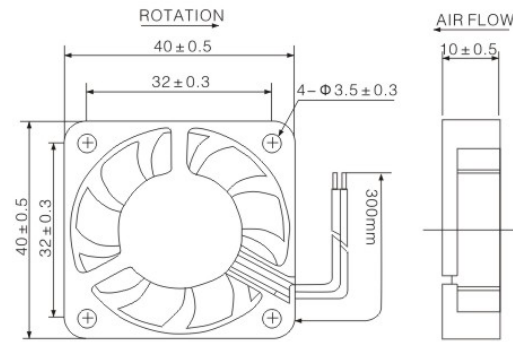
## FU3010 Size:30 x 30 x10mm



### Specification

Model	Bearing	Rated voltage	Rated current	Rated input power	Nominal speed	Air flow		Air pressure		Noise	Weight
		(V)	(A)	(W)	(RPM)	(CFM)	(m <sup>3</sup> /min)	(mm/H <sub>2</sub> O)	(inch-H <sub>2</sub> O)	(dBA)	(g)
DF3010B(S)5H	sleeve/ball	5	0.15	0.75	10000	4.10	0.11	4.52	0.18	29.0	8
DF3010B(S)5H	sleeve/ball	5	0.12	0.60	8000	3.27	0.09	3.57	0.14	23.0	
DF3010B(S)5L	sleeve/ball	5	0.10	0.50	6000	2.46	0.07	2.00	0.08	18.0	
DF3010B(S)12H	sleeve/ball	12	0.12	1.44	10000	4.10	0.11	4.52	0.18	29.0	
DF3010B(S)12M	sleeve/ball	12	0.10	1.20	8000	3.27	0.09	3.57	0.14	23.0	
DF3010B(S)12L	sleeve/ball	12	0.08	0.96	6000	2.46	0.07	3.00	0.12	18.0	

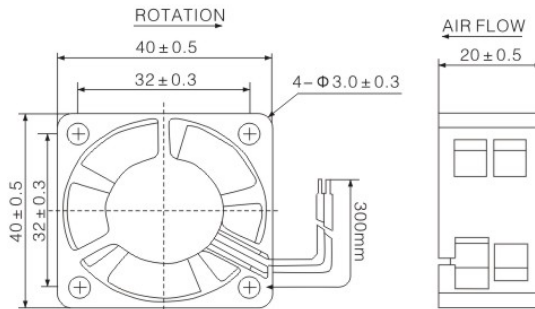
FU4010 Size:40 x 40 x 10mm



### Specification

Model	Bearing	Rated voltage	Rated current	Rated input power	Nominal speed	Air flow		Air pressure		Noise (dBA)	Weight (g)
		(V)	(A)	(W)	(RPM)	(CFM)	(m <sup>3</sup> /min)	(mm/H <sub>2</sub> O)	(inch-H <sub>2</sub> O)		
DF4010B(S)5H	sleeve/ball	5	0.28	1.40	7000	6.66	0.19	4.55	0.18	28.0	18
DF4010B(S)5H	sleeve/ball	5	0.25	1.25	6000	5.75	0.16	3.55	0.14	24.0	
DF4010B(S)5L	sleeve/ball	5	0.2	1.0	5000	4.85	0.14	2.52	0.09	20.0	
DF4010B(S)12H	sleeve/ball	12	0.12	1.44	7000	6.66	0.19	4.55	0.18	28.0	
DF4010B(S)12M	sleeve/ball	12	0.10	1.2	6000	5.75	0.16	3.55	0.14	24.0	
DF4010B(S)12L	sleeve/ball	12	0.06	0.72	5000	4.85	0.14	2.52	0.09	20.0	
DF4010B(S)24H	sleeve/ball	24	0.06	1.44	7000	6.66	0.19	4.55	0.18	28.0	
DF4010B(S)24M	sleeve/ball	24	0.05	1.2	6000	5.75	0.16	3.55	0.14	24.0	
DF4010B(S)24L	sleeve/ball	24	0.04	0.96	5000	4.85	0.14	2.52	0.09	20.0	

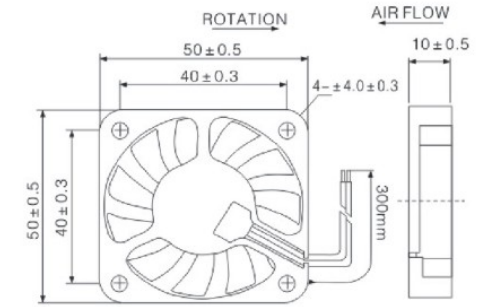
FU4020 Size:40 x 40 x 20mm



### Specification

Model	Bearing	Rated voltage	Rated current	Rated input power	Nominal speed	Air flow		Air pressure		Noise (dBA)	Weight (g)
		(V)	(A)	(W)	(RPM)	(CFM)	(m <sup>3</sup> /min)	(mm/H <sub>2</sub> O)	(inch-H <sub>2</sub> O)		
DF4020B(S)5H	sleeve/ball	5	0.28	1.40	7500	8.85	0.25	5.25	0.21	30.0	25
DF4020B(S)5M	sleeve/ball	5	0.25	1.25	6500	7.45	0.21	4.50	0.18	28.0	
DF4020B(S)5L	sleeve/ball	5	0.2	1.0	5500	6.42	0.18	3.52	0.14	26.0	
DF4020B(S)12H	sleeve/ball	12	0.12	1.44	7500	8.85	0.25	5.25	0.21	30.0	
DF4020B(S)12M	sleeve/ball	12	0.1	1.2	6500	7.45	0.21	4.50	0.18	28.0	
DF4020B(S)12L	sleeve/ball	12	0.06	0.72	5500	6.42	0.18	3.52	0.14	26.0	
DF4020B(S)24H	sleeve/ball	24	0.06	1.44	7500	8.85	0.25	5.25	0.21	30.0	
DF4020B(S)24M	sleeve/ball	24	0.05	1.2	6500	7.45	0.21	4.50	0.18	28.0	
DF4020B(S)24L	sleeve/ball	24	0.04	0.96	5500	6.42	0.18	3.52	0.14	26.0	

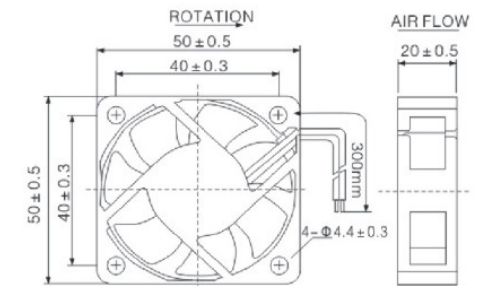
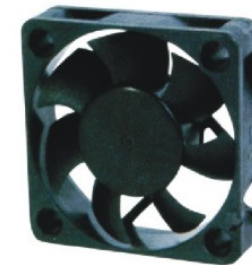
FU5010 Size:50 x 50 x 10mm



### Specification

Model	Bearing	Rated voltage	Rated current	Rated input power	Nominal speed	Air flow		Air pressure		Noise (dBA)	Weight (g)
		(V)	(A)	(W)	(RPM)	(CFM)	(m <sup>3</sup> /min)	(mm/H <sub>2</sub> O)	(inch-H <sub>2</sub> O)		
DF5010B(S)5H	sleeve/ball	5	0.3	1.5	5300	10.20	0.29	3.65	0.14	33.0	18
DF5010B(S)5M	sleeve/ball	5	0.20	1.00	4500	9.15	0.26	2.75	0.11	27.0	
DF5010B(S)5L	sleeve/ball	5	0.14	0.70	3400	7.20	0.20	2.02	0.08	21.0	
DF5010B(S)12H	sleeve/ball	12	0.16	1.92	5300	10.20	0.29	3.65	0.14	33.0	
DF5010B(S)12M	sleeve/ball	12	0.08	0.96	4500	9.15	0.26	2.75	0.11	27.0	
DF5010B(S)12L	sleeve/ball	12	0.07	0.84	3500	7.20	0.20	2.02	0.08	21.0	
DF5010B(S)24H	sleeve/ball	24	0.09	2.16	6000	10.20	0.29	3.65	0.14	33.0	
DF5010B(S)24M	sleeve/ball	24	0.07	1.68	5000	9.15	0.26	2.75	0.11	27.0	
DF5010B(S)24L	sleeve/ball	24	0.05	1.20	4000	7.20	0.20	2.02	0.08	21.0	

FU5010 Size:50 x 50 x 20mm

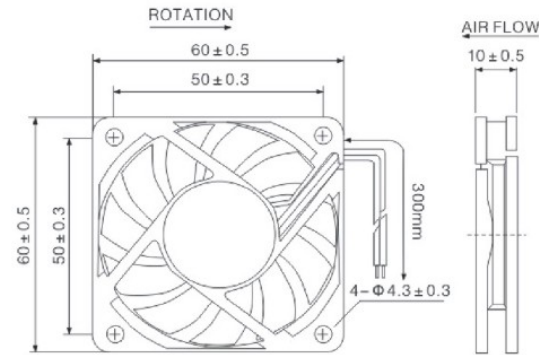


### Specification

Model	Bearing	Rated voltage	Rated current	Rated input power	Nominal speed	Air flow		Air pressure		Noise (dBA)	Weight (g)
		(V)	(A)	(W)	(RPM)	(CFM)	(m <sup>3</sup> /min)	(mm/H <sub>2</sub> O)	(inch-H <sub>2</sub> O)		
DF5020B(S)5H	sleeve/ball	5	0.33	1.65	5500	12.25	0.34	5.43	0.21	35.0	25
DF5020B(S)5M	sleeve/ball	5	0.25	1.25	5000	10.20	0.29	3.65	0.14	32.0	
DF5020B(S)5L	sleeve/ball	5	0.20	1.0	4500	8.25	0.23	2.30	0.09	26.0	
DF5020B(S)12H	sleeve/ball	12	0.16	1.92	5500	12.25	0.34	5.43	0.21	35.0	
DF5020B(S)12M	sleeve/ball	12	0.14	1.68	5000	10.20	0.29	3.65	0.14	32.0	
DF5020B(S)12L	sleeve/ball	12	0.12	1.44	4500	8.25	0.23	2.30	0.09	26.0	
DF5020B(S)24H	sleeve/ball	24	0.10	2.40	6000	12.25	0.34	5.43	0.21	35.0	
DF5020B(S)24M	sleeve/ball	24	0.08	1.92	5000	10.20	0.29	3.65	0.14	32.0	
DF5020B(S)24L	sleeve/ball	24	0.06	1.44	4000	8.25	0.23	2.30	0.09	26.0	



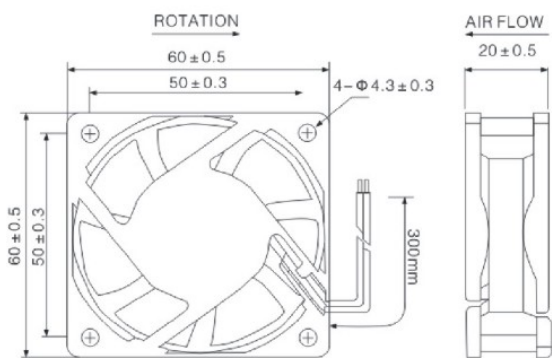
FU6010 Size:60 x 60 x10mm



Specification

Model	Bearing	Rated voltage	Rated current	Rated input power	Nominal speed	Air flow		Air pressure		Noise	Weight
		(V)	(A)	(W)		(CFM)	(m <sup>3</sup> /min)	(mm/H <sub>2</sub> O)	(inch-H <sub>2</sub> O)		
DF6010B(S)5H	sleeve/ball	5	0.35	1.65	4200	15.02	0.43	1.92	0.08	28.0	25
DF6010B(S)5M	sleeve/ball	5	0.20	1.10	3600	13.15	0.37	1.72	0.07	27.0	
DF6010B(S)5L	sleeve/ball	5	0.17	0.85	3000	11.25	0.32	1.46	0.06	26.0	
DF6010B(S)12H	sleeve/ball	12	0.26	2.64	4200	20.25	0.57	2.55	0.10	38.0	
DF6010B(S)12M	sleeve/ball	12	0.17	2.04	3600	16.85	0.47	2.15	0.08	33.0	
DF6010B(S)12L	sleeve/ball	12	0.14	1.68	3000	13.15	0.37	1.72	0.07	27.0	
DF6010B(S)24H	sleeve/ball	24	0.11	2.64	4200	15.02	0.42	1.92	0.08	28.0	
DF6010B(S)24M	sleeve/ball	24	0.09	2.16	3600	13.15	0.37	1.72	0.07	27.0	
DF6010B(S)24L	sleeve/ball	24	0.07	1.68	3000	11.25	0.32	1.46	0.06	26.0	

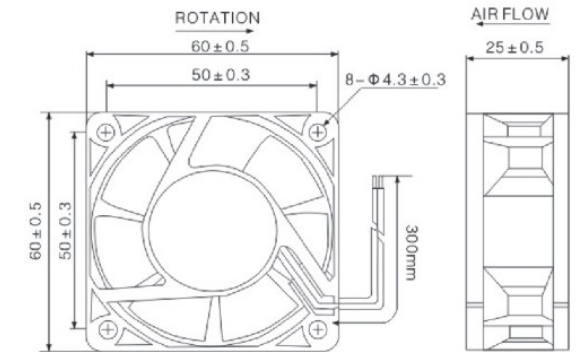
FU6020 Size:60 x 60 x20mm



Specification

Model	Bearing	Rated voltage	Rated current	Rated input power	Nominal speed	Air flow		Air pressure		Noise	Weight
		(V)	(A)	(W)		(CFM)	(m <sup>3</sup> /min)	(mm/H <sub>2</sub> O)	(inch-H <sub>2</sub> O)		
DF6020B(S)12H	sleeve/ball	12	0.16	1.92	4200	16.71	0.47	3.18	0.13	33.0	45
DF6020B(S)12M	sleeve/ball	12	0.12	1.44	3500	15.02	0.42	2.80	0.11	31.0	
DF6020B(S)12L	sleeve/ball	12	0.08	0.96	3000	13.15	0.37	2.52	0.10	27.0	
DF6020B(S)24H	sleeve/ball	24	0.13	3.12	4200	16.71	0.47	3.18	0.13	33.0	
DF6020B(S)24M	sleeve/ball	24	0.10	2.4	3500	15.02	0.42	2.80	0.11	31.0	
DF6020B(S)24L	sleeve/ball	24	0.08	1.92	3000	13.15	0.37	2.52	0.10	27.0	

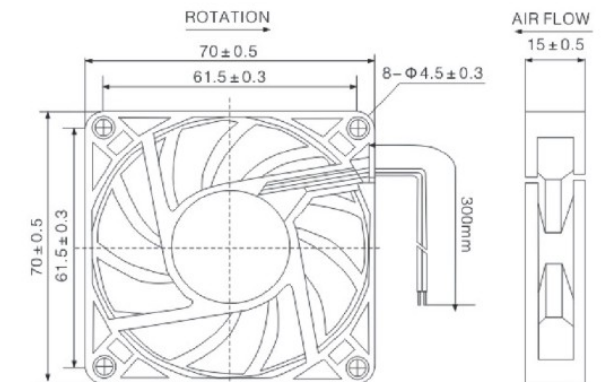
FU6025 Size:60 x 60 x25mm



Specification

Model	Bearing	Rated voltage	Rated current	Rated input power	Nominal speed	Air flow		Air pressure		Noise	Weight
		(V)	(A)	(W)		(CFM)	(m <sup>3</sup> /min)	(mm/H <sub>2</sub> O)	(inch-H <sub>2</sub> O)		
DF6025B(S)12D	sleeve/ball	12	0.19	2.28	4500	27.05	0.76	10.12	0.40	41.0	55
DF6025B(S)12H	sleeve/ball	12	0.14	1.68	4000	24.71	0.70	8.80	0.35	38.0	
DF6025B(S)12M	sleeve/ball	12	0.10	1.2	3000	20.15	0.56	5.92	0.23	33.0	
DF6025B(S)12L	sleeve/ball	12	0.07	0.84	2500	15.80	0.44	3.51	0.14	27.0	
DF6025B(S)24D	sleeve/ball	24	0.19	4.58	4500	27.05	0.76	10.12	0.40	41.0	
DF6025B(S)24H	sleeve/ball	24	0.14	3.88	4000	24.71	0.70	8.80	0.35	38.0	
DF6025B(S)24M	sleeve/ball	24	0.10	2.40	3000	20.15	0.56	5.92	0.23	33.0	
DF6025B(S)24L	sleeve/ball	24	0.09	2.16	2500	15.80	0.44	3.51	0.14	27.0	

FU7015 Size:70 x 70 x15mm

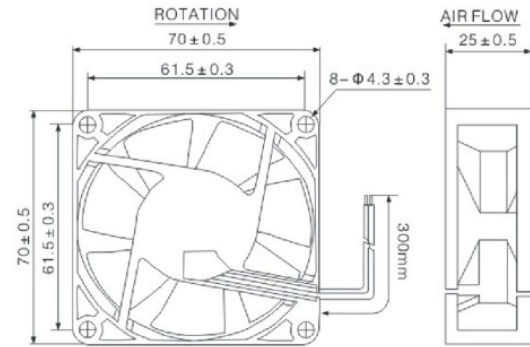


Specification

Model	Bearing	Rated voltage	Rated current	Rated input power	Nominal speed	Air flow		Air pressure		Noise	Weight
		(V)	(A)	(W)		(CFM)	(m <sup>3</sup> /min)	(mm/H <sub>2</sub> O)	(inch-H <sub>2</sub> O)		
DF7015B(S)12H	sleeve/ball	12	0.35	4.2	4200	33.52	0.94	3.33	0.13	40.0	45
DF7015B(S)12M	sleeve/ball	12	0.25	3	3600	28.85	0.81	3.02	0.12	35.0	
DF7015B(S)12L	sleeve/ball	12	0.16	1.92	3000	24.80	0.69	2.50	0.09	30.0	
DF7015B(S)24H	sleeve/ball	24	0.25	6	4200	33.52	0.94	3.33	0.13	40.0	
DF7015B(S)24M	sleeve/ball	24	0.16	3.84	3600	28.85	0.81	3.02	0.12	35.0	
DF7015B(S)24L	sleeve/ball	24	0.12	2.88	3000	24.80	0.69	2.50	0.09	30.0	



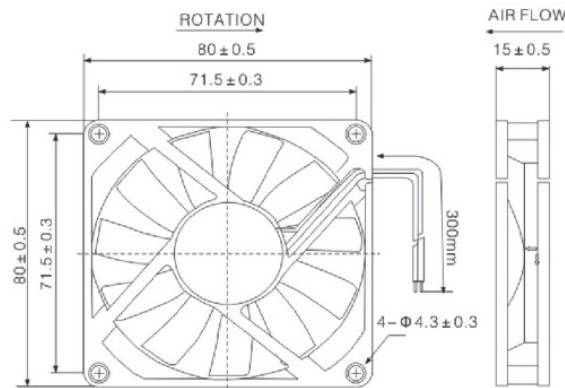
FU7025 Size:70 x 70 x25mm



Specification

Model	Bearing	Rated voltage	Rated current	Rated input power	Nominal speed	Air flow		Air pressure		Noise	Weight
		(V)	(A)	(W)		(CFM)	(m <sup>3</sup> /min)	(mm/H <sub>2</sub> O)	(inch-H <sub>2</sub> O)		
DF7025B(S)12D	sleeve/ball	12	0.35	4.28	4500	36.12	1.01	4.80	0.18	42.0	50
DF7025B(S)12H	sleeve/ball	12	0.3	3.60	4000	32.02	0.89	4.81	0.16	40.0	
DF7025B(S)12M	sleeve/ball	12	0.20	2.40	3500	27.93	0.78	3.85	0.15	36.0	
DF7025B(S)12L	sleeve/ball	12	0.15	1.80	3000	24.00	0.67	2.65	0.10	31.0	
DF7025B(S)24D	sleeve/ball	24	0.30	7.2	4500	36.12	1.01	4.80	0.18	42.0	
DF7025B(S)24H	sleeve/ball	24	0.22	5.28	4000	32.02	0.89	4.81	0.16	40.0	
DF7025B(S)24M	sleeve/ball	24	0.12	2.88	3500	27.93	0.78	3.85	0.15	36.0	
DF7025B(S)24L	sleeve/ball	24	0.10	2.4	3000	24.00	0.67	2.65	0.10	31.0	

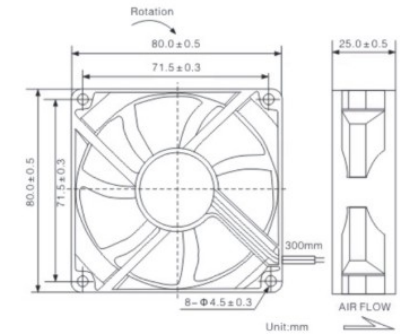
FU8015 Size:80 x 80 x15mm



Specification

Model	Bearing	Rated voltage	Rated current	Rated input power	Nominal speed	Air flow		Air pressure		Noise	Weight
		(V)	(A)	(W)		(CFM)	(m <sup>3</sup> /min)	(mm/H <sub>2</sub> O)	(inch-H <sub>2</sub> O)		
DF8015B(S)12H	sleeve/ball	12	0.17	2.04	8000	33.12	0.93	3.53	0.13	32.0	45
DF8015B(S)12M	sleeve/ball	12	0.14	1.68	2500	28.66	0.80	3.02	0.12	30.0	
DF8015B(S)12L	sleeve/ball	12	0.09	1.08	2000	24.80	0.68	2.51	0.09	25.0	
DF8015B(S)24H	sleeve/ball	24	0.15	3.60	3000	33.12	0.93	3.53	0.13	32.0	
DF8015B(S)24M	sleeve/ball	24	0.18	3.12	2500	28.66	0.80	3.02	0.12	30.0	
DF8015B(S)24L	sleeve/ball	24	0.10	2.40	2000	24.30	0.68	2.51	0.09	25.0	

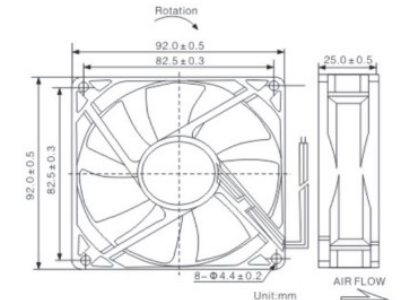
DF8025: 80x80x25mm



Specification

Model	Bearing	Rated voltage	Rated current	Rated input power	Nominal speed	Air flow		Air pressure		Noise	Weight
		(V)	(A)	(W)		(CFM)	(m <sup>3</sup> /min)	(mm/H <sub>2</sub> O)	(inch-H <sub>2</sub> O)		
DF8025B(S)12D	sleeve/ball	12	0.25	3.00	3500	44.00	1.23	4.81	0.18	37.0	60
DF8025B(S)12H	sleeve/ball	12	0.17	2.04	3000	36.50	1.02	3.40	0.13	32.0	
DF8025B(S)12M	sleeve/ball	12	0.11	1.32	2500	31.50	0.88	2.48	0.09	27.0	
DF8025B(S)12L	sleeve/ball	12	0.08	0.96	2000	26.80	0.75	1.91	0.07	23.0	
DF8025B(S)24D	sleeve/ball	24	0.2	4.8	3500	44.00	1.23	4.81	0.19	37.0	
DF8025B(S)24H	sleeve/ball	24	0.15	3.8	3000	36.50	1.02	3.40	0.13	32.0	
DF8025B(S)24M	sleeve/ball	24	0.12	2.88	2500	31.50	0.88	2.48	0.09	27.0	
DF8025B(S)24L	sleeve/ball	24	0.09	2.18	2000	26.80	0.75	1.91	0.07	23.0	
DF8025B(S)48H	sleeve/ball	48	0.15	7.20	3500	44.00	1.23	4.81	0.18	37.0	
DF8025B(S)48H	sleeve/ball	48	0.07	3.36	3000	36.50	1.02	3.40	0.13	32.0	

DF9225: 92x92x25mm

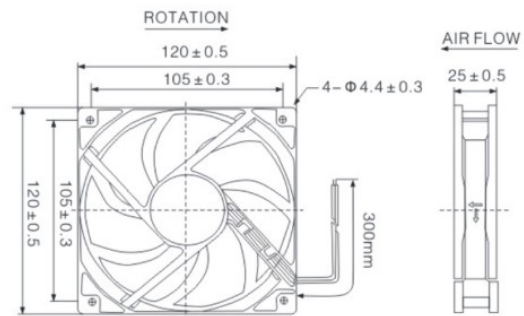


Specification

Model	Bearing	Rated voltage	Rated current	Rated input power	Nominal speed	Air flow		Air pressure		Noise	Weight
		(V)	(A)	(W)		(CFM)	(m <sup>3</sup> /min)	(mm/H <sub>2</sub> O)	(inch-H <sub>2</sub> O)		
DF9225B(S)12D	sleeve/ball	12	0.50	6.00	3200	85.55	2.39	4.81	0.18	50.0	75
DF9225B(S)12H	sleeve/ball	12	0.25	3.00	2800	65.01	1.82	3.83	0.15	40.0	
DF9225B(S)12M	sleeve/ball	12	0.20	2.4	2500	46.30	1.29	3.05	0.12	30.0	
DF9225B(S)12L	sleeve/ball	12	0.18	1.92	2000	38.80	1.08	2.18	0.08	23.0	
DF9225B(S)24D	sleeve/ball	24	0.35	8.4	3200	85.55	2.39	4.81	0.18	50.0	
DF9225B(S)24H	sleeve/ball	24	0.22	5.28	2800	65.01	1.82	3.83	0.15	40.0	
DF9225B(S)24M	sleeve/ball	24	0.18	4.82	2500	46.30	1.29	3.05	0.12	30.0	
DF9225B(S)24L	sleeve/ball	24	0.15	3.8	2000	38.80	1.08	2.18	0.08	23.0	
DF9225B(S)48H	sleeve/ball	48	0.13	6.24	3200	65.01	1.82	3.83	0.18	40.0	
DF9225B(S)48M	sleeve/ball	48	0.07	3.36	3000	46.30	1.29	3.05	0.12	30.0	



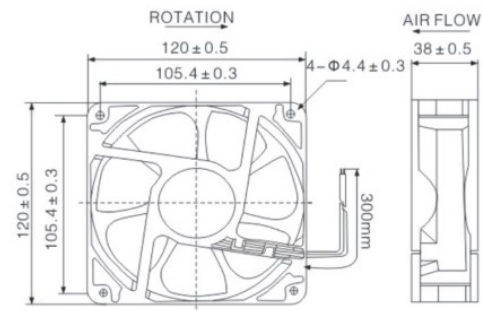
FU1225 Size: 120x120x25mm



## Specification

Model	Bearing	Rated voltage	Rated current	Rated input power	Nominal speed	Air flow		Air pressure		Noise (dBA)	Weight (g)
		(V)	(A)	(W)	(RPM)	(CFM)	(m <sup>3</sup> /min)	(mm/H <sub>2</sub> O)	(inch-H <sub>2</sub> O)		
DF1225B(S)12D	sleeve/ball	12	0.55	6.60	3000	150.11	4.20	5.82	0.28	50.0	145
DF1225B(S)12H	sleeve/ball	12	0.4	4.80	2400	114.00	3.19	4.45	0.18	41.0	
DF1225B(S)12M	sleeve/ball	12	0.25	3.00	2000	92.52	2.59	3.68	0.14	36.0	
DF1225B(S)12L	sleeve/ball	12	0.18	2.10	1800	68.45	1.92	2.68	0.11	32.0	
DF1225B(S)24D	sleeve/ball	24	0.45	10.80	3000	150.11	4.20	5.82	0.23	50.0	
DF1225B(S)24H	sleeve/ball	24	0.35	8.40	2400	114.00	3.19	4.45	0.18	41.0	
DF1225B(S)24M	sleeve/ball	24	0.2	4.8	2000	92.52	2.59	3.68	0.14	36.0	
DF1225B(S)24L	sleeve/ball	24	0.13	3.12	1800	68.45	1.92	2.68	0.11	32.0	
DF1225B(S)48H	sleeve/ball	48	0.15	7.20	3000	133.05	3.73	5.21	0.21	45.0	
DF1225B(S)48M	sleeve/ball	48	0.10	4.80	2700	92.52	2.59	3.65	0.14	36.0	

FU1225 Size: 120x120x38mm



## Specification

Model	Bearing	Rated voltage	Rated current	Rated input power	Nominal speed	Air flow		Air pressure		Noise (dBA)	Weight (g)
		(V)	(A)	(W)	(RPM)	(CFM)	(m <sup>3</sup> /min)	(mm/H <sub>2</sub> O)	(inch-H <sub>2</sub> O)		
DF1203812H	sleeve/ball	12	0.4	4.8	8000	125.32	5.5	9.85	0.38	46	257g
DF1203812M	sleeve/ball	12	0.38	4.58	2700	105.94	3	7.6	0.3	41	
DF1203812L	sleeve/ball	12	0.23	2.78	2400	84.76	2.4	4.56	0.18	34	
DF1203824H	sleeve/ball	24	0.35	8.4	3000	125.32	5.5	9.85	0.38	46	
DF1203824M	sleeve/ball	24	0.28	6.72	2700	105.94	3	7.6	0.3	41	
DF1203824L	sleeve/ball	24	0.2	4.8	2400	84.76	2.4	4.56	0.18	34	
DF1203848H	sleeve/ball	48	0.2	9.6	3000	125.32	5.5	9.85	0.38	46	
DF1203848M	sleeve/ball	48	0.11	5.12	2700	105.94	3	7.6	0.3	41	
DF1203848L	sleeve/ball	48	0.06	2.88	2400	84.76	2.4	4.56	0.18	34	