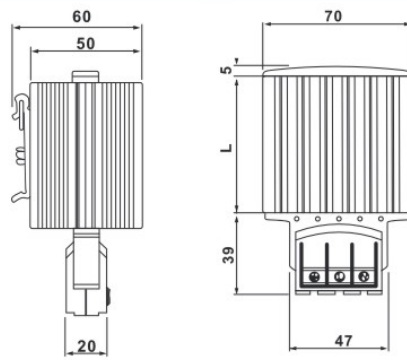


- Pressure clamp connectors
- Dynamic heating up
- wide voltage range
- Temperature limiting
- Energy saving
- Clip fixing
- Quick installation

These heaters are used in enclosures where damage from condensation must be prevented or where the temperature may not fall below a minimum value. The aluminium profile heater body design has a chimney effect and distributes the heat evenly. The pressure clamp connectors save time and simplify installation.

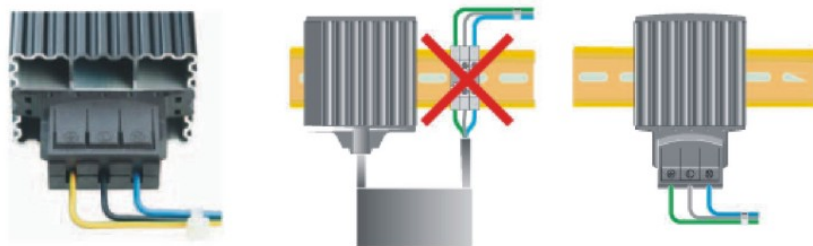
Size chart



Operating voltage	120–250V AC/DC
Heating element	PTC resistor, self regulating and temperature limiting
Heater body	extruded aluminium profile, anodised
Connection casing	3 pressure clamps for stranded wire 0.5–1.5mm ² (with wire and ferrule) and rigid wire 0.5–2.5mm ² plastic according to UL94 V-0, black
Mounting	clip for 35mm DIN rail, EN 50022
Fitting position	vertical
Operating/Storage temperature	–45 to +70°C (–49 to +158°F)
Protection type/Protection class	IP20/I(earthed)
Certificate	CE

Operating with voltages below 140V AC/DC reduces heating performance by approx. 10%

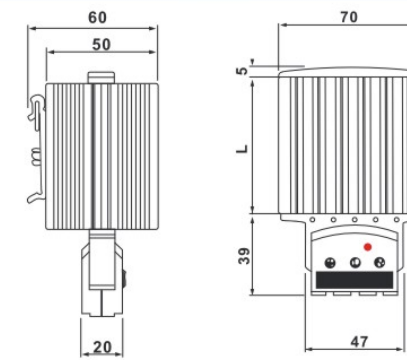
Type	Heating capacity	Inrush current max.	Length(L) (mm)	Weight (approx)
HG 140	15W	1.5	75	0.3
HG 140	30W	3	75	0.3
HG 140	45W	3.5	75	0.3
HG 140	60W	2.5	75	0.3
HG 140	75W	4	75	0.3
HG 140	100W	4.5	145	0.5
HG 140	150W	9	145	0.5



- Screw terminal connector
- Dynamic heating up
- wide voltage range
- Temperature limiting
- With indicator showing on/off
- Energy saving
- Clip fixing
- Quick installation

These heaters are used in enclosures where damage from condensation must be prevented or where the temperature may not fall below a minimum value. The aluminium profile heater body design has a chimney effect and distributes the heat evenly. The pressure clamp connectors save time and simplify installation.

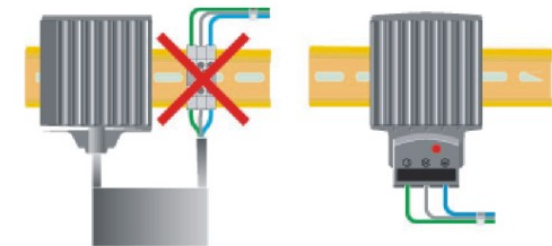
Size chart



Operating voltage	120–250V AC/DC
Heating element	PTC resistor, self regulating and temperature limiting
Heater body	extruded aluminium profile, anodised
Connection casing	3 pressure clamps for stranded wire 0.5–1.5mm ² (with wire and ferrule) and rigid wire 0.5–2.5mm ² plastic according to UL94 V-0, black
Mounting	clip for 35mm DIN rail, EN 50022
Fitting position	vertical
Operating/Storage temperature	–45 to +70°C (–49 to +158°F)
Protection type/Protection class	IP20/I(earthed)
Certificate	CE

Operating with voltages below 140V AC/DC reduces heating performance by approx. 10%

Type	Heating capacity	Inrush current max.	Length(L) (mm)	Weight (approx)
LK 140	15W	1.5	65	0.2
LK 140	30W	2.5	65	0.2
LK 140	45W	3	65	0.2
LK 140	60W	3.5	65	0.2
LK 140	75W	4	65	0.2
LK 140	100W	4.5	145	0.4
LK 140	150W	9	145	0.4

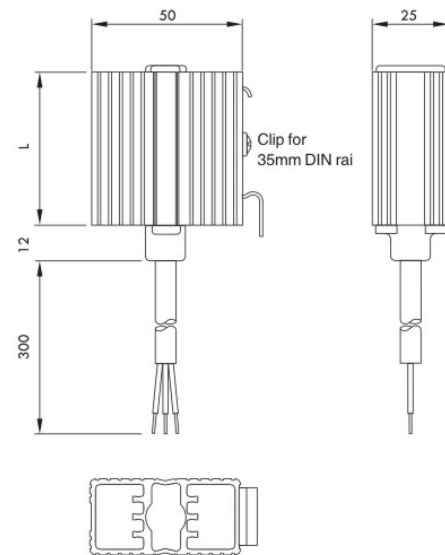
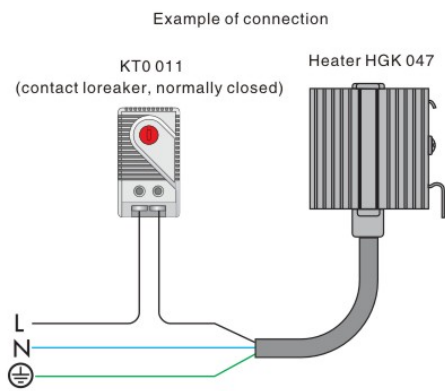




- Dynamic heating up
- Energy saving
- Wide voltage range
- Clip fixing

The heaters are used in enclosures where condensation is to be prevented or the temperature may not fall below a minimum value. In this way corrosion is avoided and an even temperature is ensured. The heaters are designed for permanent operation.

Heating element	PTC resistor – temperature limiting
Heater body	extruded aluminium profile, anodised
Mounting	clip for 35mm DIN rail, EN 60715
Fitting position	vertical airflow (air outlet up, connection on bottom)
Operating / Storage	-45 to +70°C (-49 to +158° F)
Operating / Storage humidity	max. 90% RH (non-condensing)
Protection type / Protection class	IP44/I(earthed)
Accessories	screw fixing
Note	other voltages on request



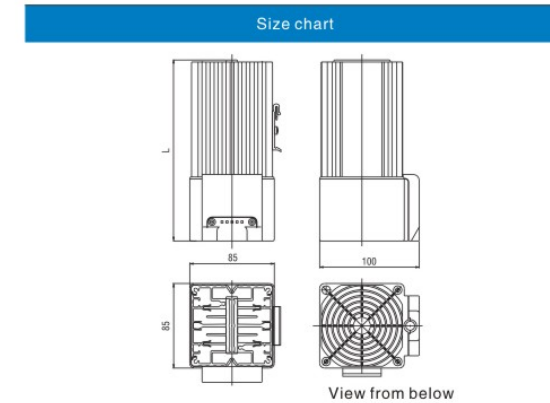
Art.No.	Operating voltage	Heating capacity ¹⁾	Inrush current max.	Pre-fuse T(time-delay)	Length(L)	Weight (approx.)	Connection	Approvals
04700.0-00	120-240V AC/DC ²⁾	10W	1.0A	1A	52mm	0.1kg	3 x 0.5mm ² x 300mm cable (silicone)	CE
04701.0-00	120-240V AC/DC ²⁾	20W	2.5A	2A	60mm	0.2kg	3 x 0.5mm ² x 300mm cable (silicone)	CE
04702.0-00	120-240V AC/DC ²⁾	30W	3.0A	2A	70mm	0.2kg	3 x 0.5mm ² x 300mm cable (silicone)	CE
04700.9-00	110-120V AC/DC	10W	1.0A	1A	52mm	0.1kg	3 x AWG 20 x 300mm cable	CE
04701.9-00	110-120V AC/DC	20W	1.5A	2A	70mm	0.2kg	3 x AWG 20 x 300mm cable	CE
04702.9-00	110-120V AC/DC	30W	1.5A	2A	100mm	0.2kg	3 x AWG 20 x 300mm cable	CE

¹⁾ at 20°C (68° F) ambient temperature; ²⁾ (min. 110V, max 265V) Operating with voltages below 140V AC/DC reduces heating performance by approx. 10%.



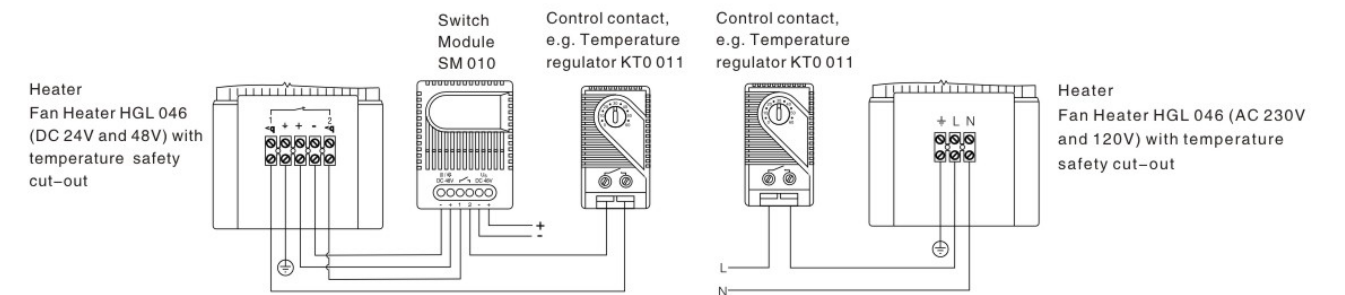
- Compact Design
- Clip fixing
- Long service life
- Maintenance free
- Temperature safety cut-out

Compact fan heater prevents formation of condensation* The integrated high performance axial fan provides forced air circulation and so guarantees an even temperature in enclosures. With internal terminal connector.



Operating voltage	230V AC 50/60Hz
Heating element	PTC resistor, self regulating and temperature limiting
Temperature safety cut-out	to protect against OVerheating in case of fan failure
Heater body	anodised extruded aluminium profile
Surface temperature	max.75°C(400VV)
Axial fan, ball bearing	Airflow, free flow AC: 45m3/h (50HZ) or 54m3/h (60Hz) DC: 54m3/h service life 50 000h at 25°C (770F)
Connection	internal connection terminal 1.5mm ² with strain relief clamping torque 0.8Nm max.
Connection casing	plastic according to UL94 V-O,black
Mounting	clip for 35mm DIN rail, EN 50022
Fitting position	vertical
Operating/Storage temperature	-45 to +70 0C(-49 to+158° F)
Protection type/Protection class	IP20 / I (earthed)

Type	Operating voltage	Heating capacity	Length(L)	Weight(approx.)
HGL046-250	230VAC, 50/60HZ	250W	85x182x85mm	1.10kg
HGL046-400	230VAC, 50/60HZ	400W	85x222x85mm	1.40kg

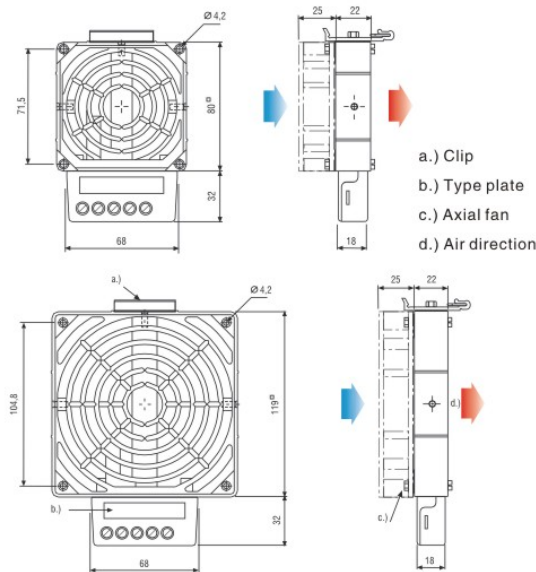




- Compact / Flat design
- High air through-flow
- Temperature safety cut-out
- Clip fixing

Compact high-performance fan heater prevents formation of condensation and frost and provides an evenly distributed interior air temperature in enclosures with electric/electronic components. This fan heater is available without fan (HV 031) and with fan (HVL 031).

Size chart



Important! Heater may only be operated together with fan. Danger of overheating!

HV 031	Heater without fan (fan mounting clip included)
HVL 031	Heater with fan
Heating element	high performance cartridge
Temperature safety cut-out	to protect against overheating in case of fan failure
Heater body	die-cast aluminium (glass bead blasted)
Connection	3-pole screw connector 2.5mm ² , clamping torque 0.8Nm max
Connection casing	plastic according to UL94 V-O, BLACK
Mounting	clip for 35mm DIN rail, EN50022
Fitting position	horizontal
Operating/Storage temperature	-45 to +70°C / (-49 to +158° F)
Protection type/Protection class	IP20/1 (earthed)
Service life	service life 50,000h at 25°C / (77° F)
Connection (axial fan)	2-pole screw connector 2.5mm ² (L2/N2)

Art.no. HV 031	Art.no. HV 031	Heating capacity	Dimensions	Weight (approx.)
230vac, 50/60Hz	03100.9-00			
	03101.9-00			
	03100.0-00	100W	80x112x22mm	0.40kg
	03101.0-00	150W	80x112x22mm	0.40kg
	03110.0-00	200W	19x151x22mm	0.50kg
	03111.0-00	300W	19x151x22mm	0.50kg
	03112.0-00	400W	19x151x22mm	0.50kg

Art.no. HVL 031	Art.no. HVL 031	Heating capacity	Airflow min	Dimensions	Weight (approx.)
230vac, 50/60Hz	120 Vac, 50/60Hz		free low		
	03102.0-00	100W	35m ³ /h	80x112x47mm	0.60kg
	03103.0-00	150W	35m ³ /h	80x112x47mm	0.60kg
	03113.0-00	200W	108m ³ /h	119x151x47mm	0.90kg
	03114.0-00	300W	108m ³ /h	119x151x47mm	0.90kg
	03115.0-00	400W	108m ³ /h	119x151x47mm	0.90kg