

60 EC Fan Series x60x25mm

CE RoHS

Optional Features



ENERGY SAVING
ECDYNAMIC™



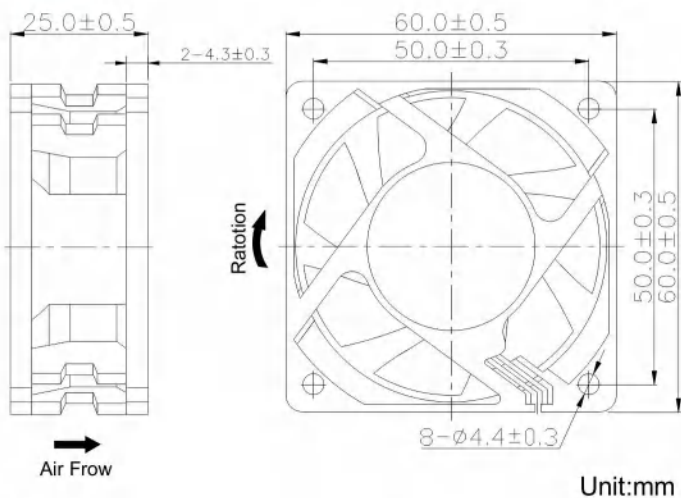
GENERAL SPECIFICATIONS

Bearing Type: Sleeve Bearing & Ball Bearing
 Material: Impeller & Frame: Plastic (UL94V-0)
 Lead Wire: UL Type
 Operation Temperature: -10°C-70°C, 35%-85%RH
 Storage Temperature: -40°C-80°C, 35%-85%RH

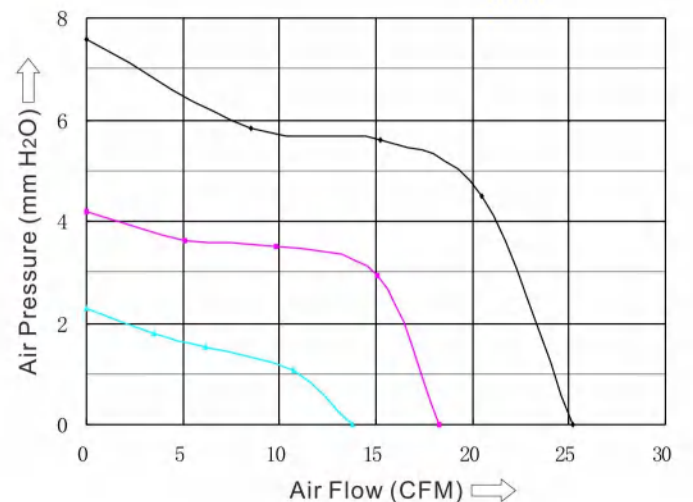
SPECIFICATIONS

Model	Bearing System		Rated Voltage	Freq.	Operation Voltage	Rated Current	Power	Rated Speed	Air Flow	Air Pressure	Noise Level	Weight
	Ball	Sleeve	VAC	Hz	VAC	A	W	RPM	CFM	mmH ₂ O	dBA	g
SE6025HX	●	●	115/230	50/60	98-264	0.05	4.0	5500	25.2	6.5	37	62
SE6025MX	●	●				0.04	3.0	4000	18.3	4.2	30	
SE6025LX	●	●				0.03	2.0	3000	13.8	2.3	24	

DIMENSIONS DRAWING



P&Q CURVE (AT RATED VOLTAGE)



Note:

*All readings are typical values at rated voltage.

*Specifications are subject to change without prior notice.

*"X" in model list can be B, S, and C, meaning Dual Ball Bearing, Sleeve Bearing and 1 Ball 1 Sleeve Bearing

70 EC Fan Series x70x25mm

CE RoHS

Optional Features



ENERGY SAVING
ECDYNAMIC™



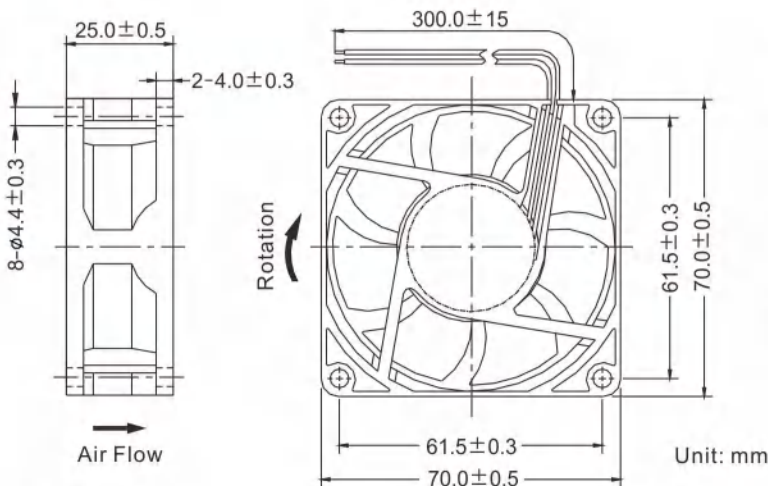
GENERAL SPECIFICATIONS

Bearing Type: Sleeve Bearing & Ball Bearing
 Material: Impeller & Frame: Plastic (UL94V-0)
 Lead Wire: UL Type
 Operation Temperature: -10°C-70°C, 35%-85%RH
 Storage Temperature: -40°C-80°C, 35%-85%RH

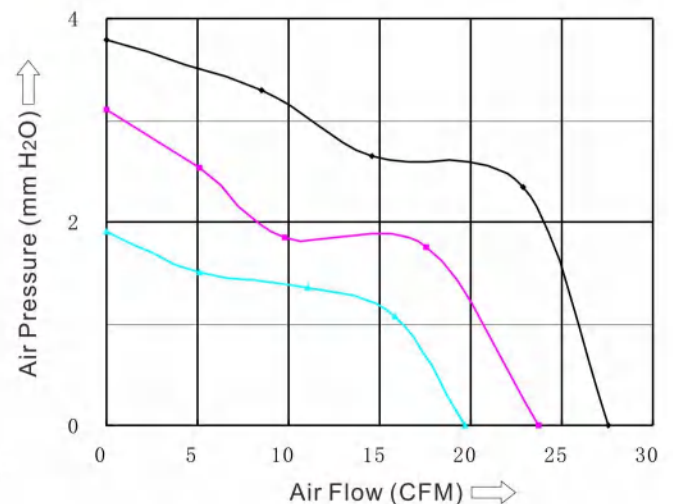
SPECIFICATIONS

Model	Bearing System		Rated Voltage	Freq.	Operation Voltage	Rated Current	Power	Rated Speed	Air Flow	Air Pressure	Noise Level	Weight
	Ball	Sleeve	VAC	Hz	VAC	A	W	RPM	CFM	mmH ₂ O	dBA	g
SE7025HX	●	●	115/230	50/60	98-264	0.05	4.0	3500	27.6	3.8	33	70
SE7025MX	●	●				0.04	3.0	3000	23.7	3.1	28	
SE7025LX	●	●				0.03	2.0	2500	19.7	1.9	24	

DIMENSIONS DRAWING



P&Q CURVE (AT RATED VOLTAGE)



Note:

*All readings are typical values at rated voltage.

*Specifications are subject to change without prior notice.

*"X" in model list can be B, S, and C, meaning Dual Ball Bearing, Sleeve Bearing and 1 Ball 1 Sleeve Bearing

80 EC Fan Series x80x25mm

CE RoHS

Optional Features



ENERGY SAVING
ECDYNAMIC™



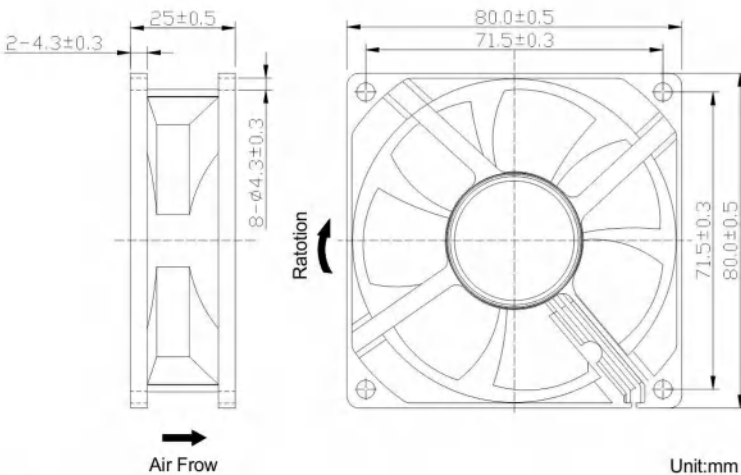
GENERAL SPECIFICATIONS

Bearing Type: Sleeve Bearing & Ball Bearing
 Material: Impeller & Frame: Plastic (UL94V-0)
 Lead Wire: UL Type
 Operation Temperature: -10°C-70°C, 35%-85%RH
 Storage Temperature: -40°C-80°C, 35%-85%RH

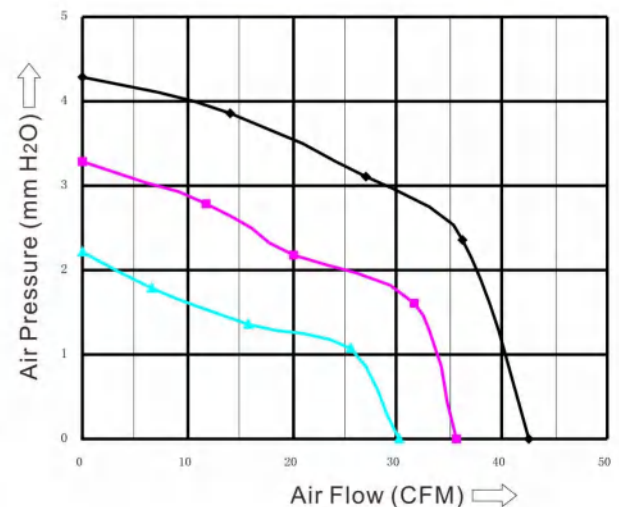
SPECIFICATIONS

Model	Bearing System		Rated Voltage	Freq.	Operation Voltage	Rated Current	Power	Rated Speed	Air Flow	Air Pressure	Noise Level	Weight
	Ball	Sleeve	VAC	Hz	VAC	A	W	RPM	CFM	mmH ₂ O	dBA	g
SE8025HB	●		115/230	50/60	98-264	0.05	5.0	3200	42.5	4.3	34	76
SE8025MX	●	●				0.04	4.0	2800	35.7	3.3	28	
SE8025LX	●	●				0.03	3.0	2400	30.2	2.2	23	

DIMENSIONS DRAWING



P&Q CURVE (AT RATED VOLTAGE)



Note:

*All readings are typical values at rated voltage.

*Specifications are subject to change without prior notice.

*"X" in model list can be B, S, and C, meaning Dual Ball Bearing, Sleeve Bearing and 1 Ball 1 Sleeve Bearing

80 EC Fan Series

x80x38mm

CE RoHS

Optional Features



ENERGY SAVING
ECDYNAMIC™



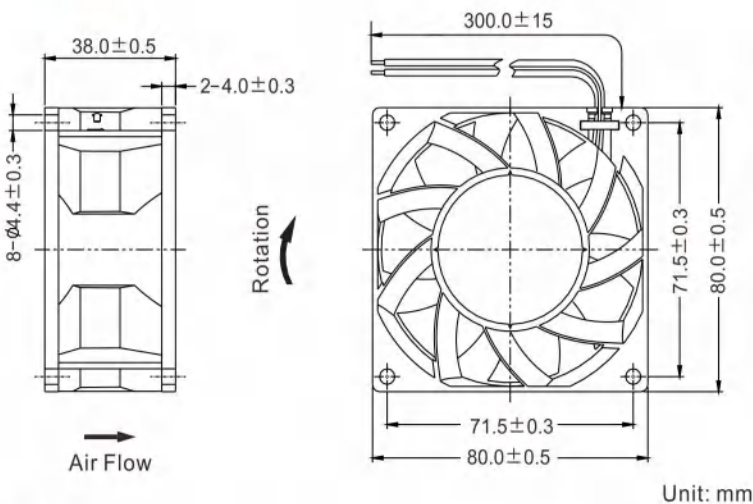
GENERAL SPECIFICATIONS

Bearing Type: Sleeve Bearing & Ball Bearing
 Material: Impeller & Frame: Plastic (UL94V-0)
 Lead Wire: UL Type
 Operation Temperature: -10°C-70°C, 35%-85%RH
 Storage Temperature: -40°C-80°C, 35%-85%RH

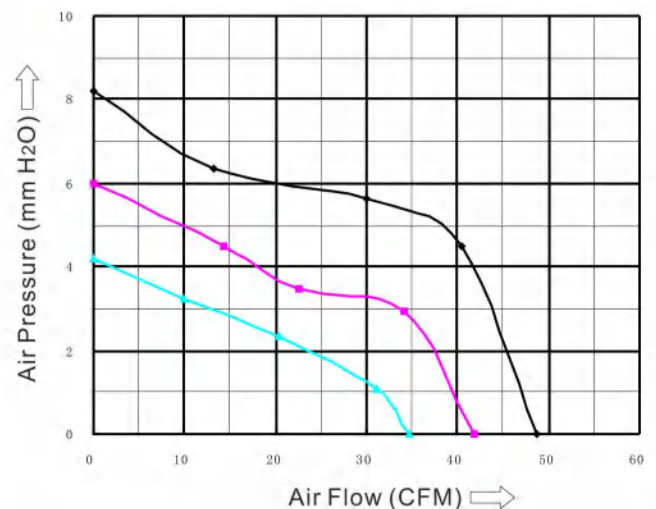
SPECIFICATIONS

Model	Bearing System		Rated Voltage	Freq.	Operation Voltage	Rated Current	Power	Rated Speed	Air Flow	Air Pressure	Noise Level	Weight
	Ball	Sleeve	VAC	Hz	VAC	A	W	RPM	CFM	mmH ₂ O	dBA	g
SE8038HX	●		115/230	50/60	98-264	0.06	6.0	3500	48.7	8.2	42	140
SE8038MX	●	●				0.04	4.0	3000	41.7	6.0	37	
SE8038LX	●	●				0.03	3.0	2500	34.8	4.2	32	

DIMENSIONS DRAWING



P&Q CURVE (AT RATED VOLTAGE)



Note:

*All readings are typical values at rated voltage.

*Specifications are subject to change without prior notice.

*"X" in model list can be B, S, and C, meaning Dual Ball Bearing, Sleeve Bearing and 1 Ball 1 Sleeve Bearing

92 EC Fan Series x92x25mm

CE RoHS

Optional Features



ENERGY SAVING
ECDYNAMIC™



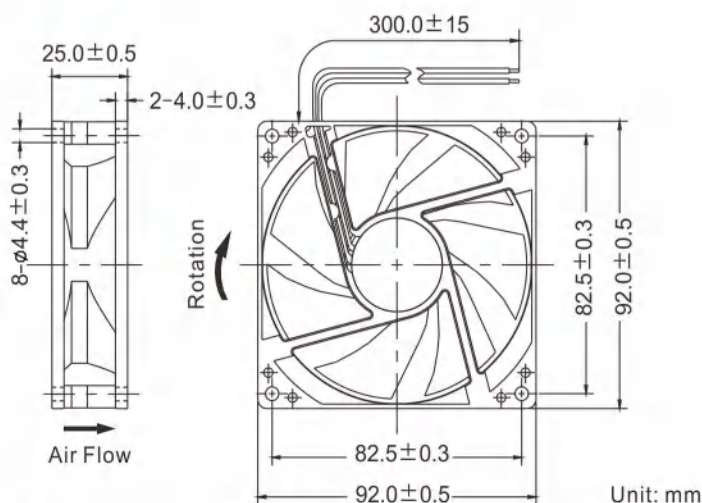
GENERAL SPECIFICATIONS

Bearing Type: Sleeve Bearing & Ball Bearing
 Material: Impeller & Frame: Plastic (UL94V-0)
 Lead Wire: UL Type
 Operation Temperature: -10°C-70°C, 35%-85%RH
 Storage Temperature: -40°C-80°C, 35%-85%RH

SPECIFICATIONS

Model	Bearing System		Rated Voltage	Freq.	Operation Voltage	Rated Current	Power	Rated Speed	Air Flow	Air Pressure	Noise Level	Weight
	Ball	Sleeve	VAC	Hz	VAC	A	W	RPM	CFM	mmH ₂ O	dBA	g
SE9225HX	●	●	115/230	50/60	98-264	0.06	6.0	2800	55.2	3.0	33	85
SE9225MX	●	●				0.05	5.0	2500	49.3	2.4	30	
SE9225LX	●	●				0.03	3.0	2000	39.4	1.5	25	

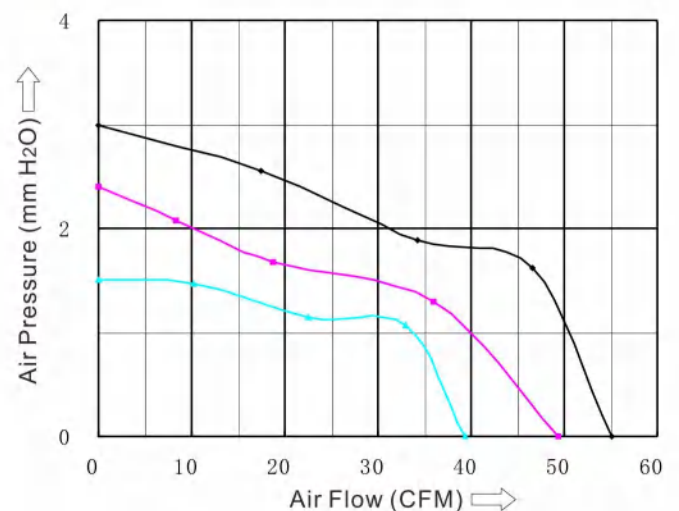
DIMENSIONS DRAWING



Note:

- *All readings are typical values at rated voltage.
- *Specifications are subject to change without prior notice.
- *"X" in model list can be B, S, and C, meaning Dual Ball Bearing, Sleeve Bearing and 1 Ball 1 Sleeve Bearing

P&Q CURVE (AT RATED VOLTAGE)



92 EC Fan Series

x92x38mm

CE RoHS

Optional Features



ENERGY SAVING
ECDYNAMIC™



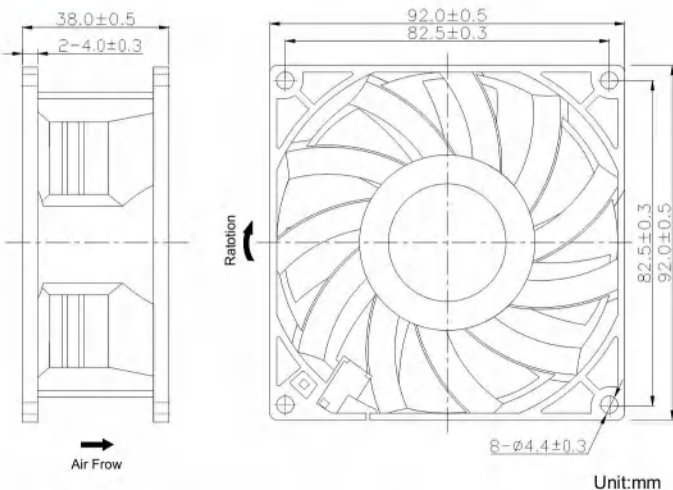
GENERAL SPECIFICATIONS

Bearing Type: Sleeve Bearing & Ball Bearing
 Material: Impeller & Frame: Plastic (UL94V-0)
 Lead Wire: UL Type
 Operation Temperature: -10°C-70°C, 35%-85%RH
 Storage Temperature: -40°C-80°C, 35%-85%RH

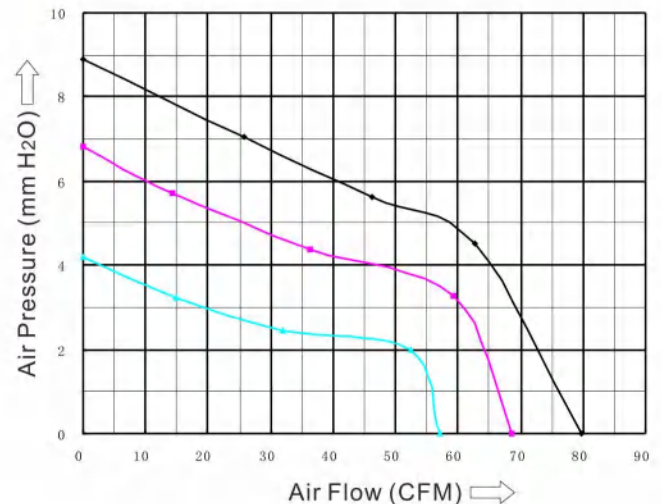
SPECIFICATIONS

Model	Bearing System		Rated Voltage	Freq.	Operation Voltage	Rated Current	Power	Rated Speed	Air Flow	Air Pressure	Noise Level	Weight
	Ball	Sleeve	VAC	Hz	VAC	A	W	RPM	CFM	mmH ₂ O	dBA	g
SE9238HX	●	●	115/230	50/60	98-264	0.07	7.0	3500	79.9	8.9	37	175
SE9238MX	●	●				0.05	5.0	3000	68.5	6.8	33	
SE9238LX	●	●				0.03	4.0	2500	57.1	4.2	29	

DIMENSIONS DRAWING



P&Q CURVE (AT RATED VOLTAGE)



Note:

- *All readings are typical values at rated voltage.
- *Specifications are subject to change without prior notice.
- *"X" in model list can be B, S, and C, meaning Dual Ball Bearing, Sleeve Bearing and 1 Ball 1 Sleeve Bearing

120 EC Fan Series

x120x25mm

CE RoHS

Optional Features



ENERGY SAVING
ECDYNAMIC™



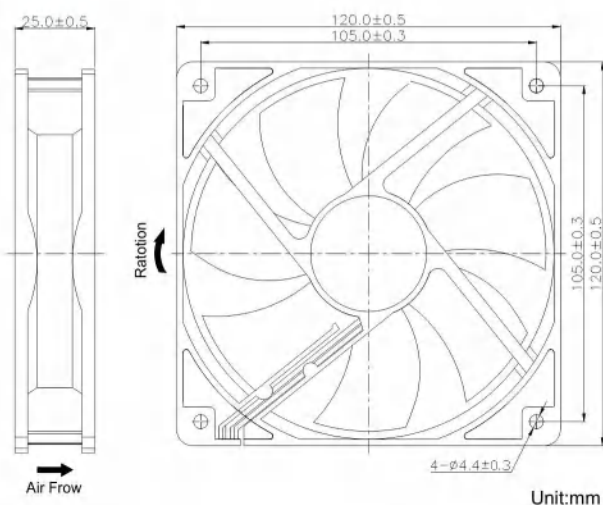
GENERAL SPECIFICATIONS

Bearing Type: Sleeve Bearing & Ball Bearing
 Material: Impeller & Frame: Plastic (UL94V-0)
 Lead Wire: UL Type
 Operation Temperature: -10°C-70°C, 35%-85%RH
 Storage Temperature: -40°C-80°C, 35%-85%RH

SPECIFICATIONS

Model	Bearing System		Rated Voltage	Freq.	Operation Voltage	Rated Current	Power	Rated Speed	Air Flow	Air Pressure	Noise Level	Weight
	Ball	Sleeve	VAC	Hz	VAC	A	W	RPM	CFM	mmH ₂ O	dBA	g
SE1225HX	●	●	115/230	50/60	98-264	0.08	7.0	2600	100.2	4.2	38	140
SE1225MX	●	●				0.06	4.0	2200	85.5	3.0	33	
SE1225LX	●	●				0.05	3.0	1800	68.6	2.1	28	

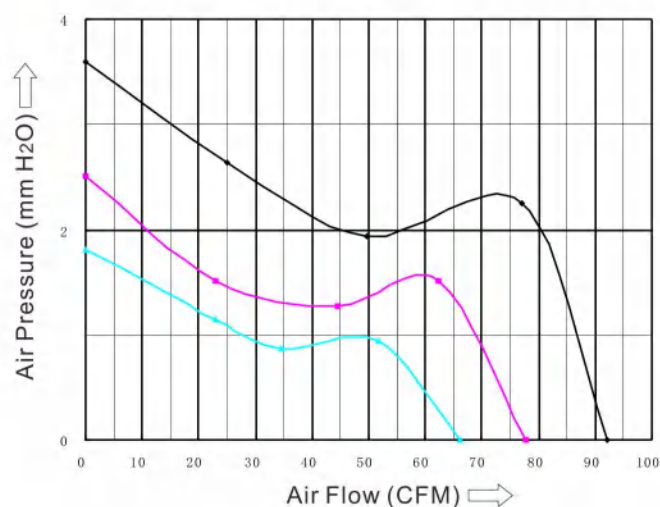
DIMENSIONS DRAWING



Note:

- *All readings are typical values at rated voltage.
- *Specifications are subject to change without prior notice.
- *"X" in model list can be B, S, and C, meaning Dual Ball Bearing, Sleeve Bearing and 1 Ball 1 Sleeve Bearing

P&Q CURVE (AT RATED VOLTAGE)



120 EC Fan Series

x120x38mm

CE RoHS

Optional Features



ENERGY SAVING
ECDYNAMIC™



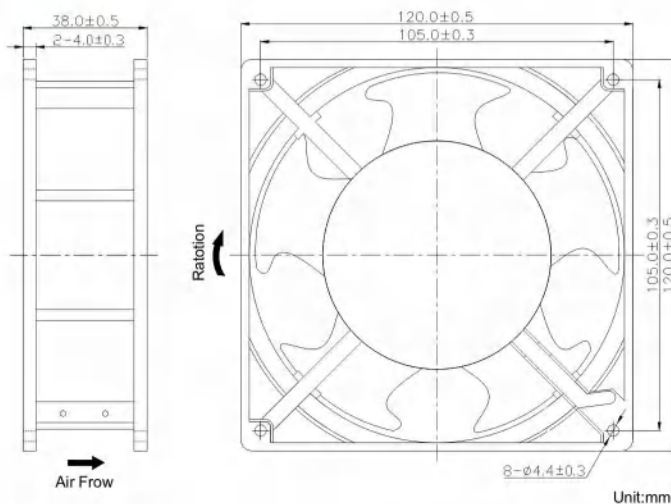
GENERAL SPECIFICATIONS

Bearing Type: Sleeve Bearing & Ball Bearing
 Material: Impeller: Plastic; Frame: Aluminum Alloy
 Lead Wire: UL Type
 Operation Temperature: -10°C~70°C, 35%~85%RH
 Storage Temperature: -40°C~80°C, 35%~85%RH

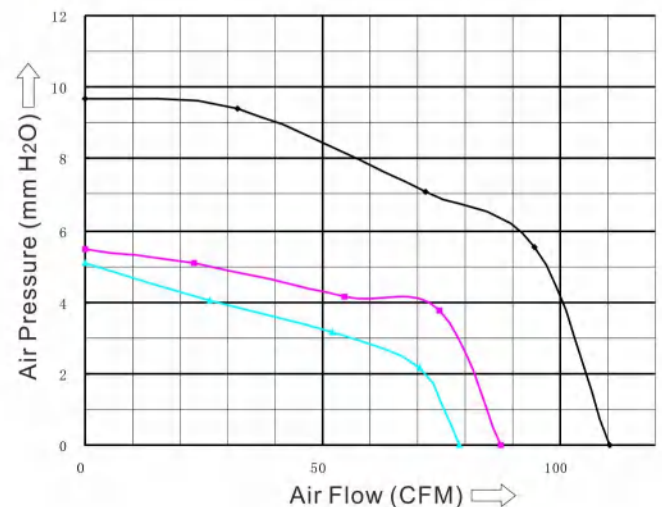
SPECIFICATIONS

Model	Bearing System		Rated Voltage	Freq.	Operation Voltage	Rated Current	Power	Rated Speed	Air Flow	Air Pressure	Noise Level	Weight
	Ball	Sleeve	VAC	Hz	VAC	A	W	RPM	CFM	mmH ₂ O	dBA	g
SE1238DB	●		115/230	50/60	98~264	0.12	18.0	4000	158.5	15.5	52	360
SE1238H2X	●	●	220~240	50/60	198~264	0.10	8.0	3000	110.5	9.7	45	350
SE1238M2X	●	●				0.08	5.0	2600	87.5	5.5	39	
SE1238L2X	●	●				0.06	3.0	2300	78.6	5.1	36	

DIMENSIONS DRAWING



P&Q CURVE (AT RATED VOLTAGE)



Note:

*All readings are typical values at rated voltage.

*Specifications are subject to change without prior notice.

* "X" in model list can be B, S, and C, meaning Dual Ball Bearing, Sleeve Bearing and 1 Ball 1 Sleeve Bearing

120 EC Fan Series

x120x38mm

CE RoHS

Optional Features



ENERGY SAVING
ECDYNAMIC™



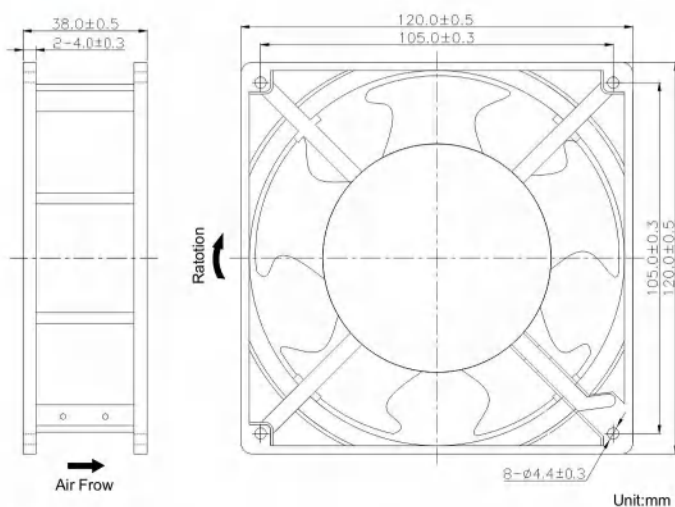
GENERAL SPECIFICATIONS

Bearing Type: Sleeve Bearing & Ball Bearing
 Material: Impeller & Frame: Plastic (UL94V-0)
 Lead Wire: UL Type
 Operation Temperature: -10°C-70°C, 35%-85%RH
 Storage Temperature: -40°C-80°C, 35%-85%RH

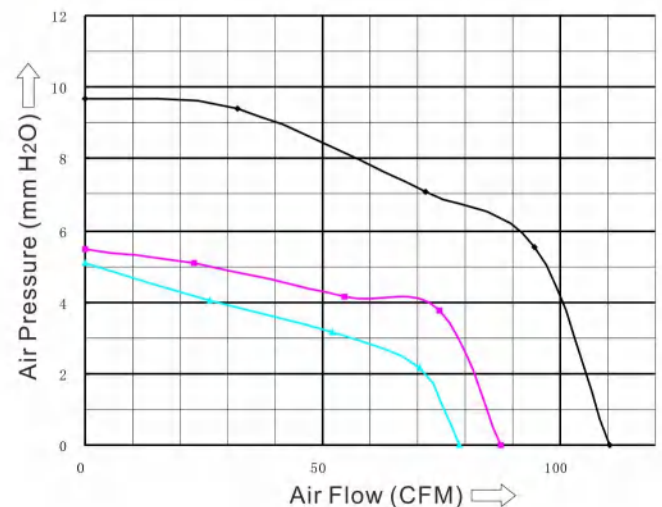
SPECIFICATIONS

Model	Bearing System		Rated Voltage	Freq.	Operation Voltage	Rated Current	Power	Rated Speed	Air Flow	Air Pressure	Noise Level	Weight
	Ball	Sleeve	VAC	Hz	VAC	A	W	RPM	CFM	mmH ₂ O	dBA	g
SE1238DB	●		115/230	50/60	98~264	0.12	18.0	4000	158.5	15.5	52	360
SE1238H2X	●	●	220~240	50/60	198-264	0.10	8.0	3000	110.5	9.7	45	350
SE1238M2X	●	●				0.08	5.0	2600	87.5	5.5	39	
SE1238L2X	●	●				0.06	3.0	2300	78.6	5.1	36	

DIMENSIONS DRAWING



P&Q CURVE (AT RATED VOLTAGE)



Note:

*All readings are typical values at rated voltage.

*Specifications are subject to change without prior notice.

* "X" in model list can be B, S, and C, meaning Dual Ball Bearing, Sleeve Bearing and 1 Ball 1 Sleeve Bearing

120 EC Fan Series

x120x38mm

CE **RoHS**

Optional Features



ENERGY SAVING
ECDYNAMIC™



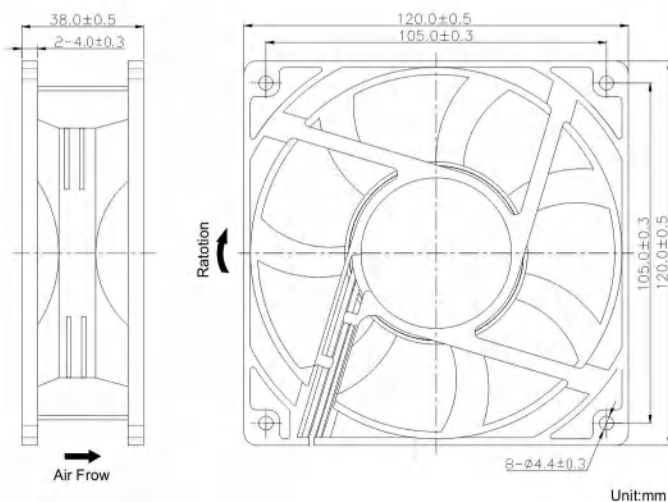
GENERAL SPECIFICATIONS

Bearing Type: Sleeve Bearing & Ball Bearing
 Material: Impeller & Frame: Plastic (UL94V-0)
 Lead Wire: UL Type
 Operation Temperature: -10°C-70°C, 35%-85%RH
 Storage Temperature: -40°C-80°C, 35%-85%RH

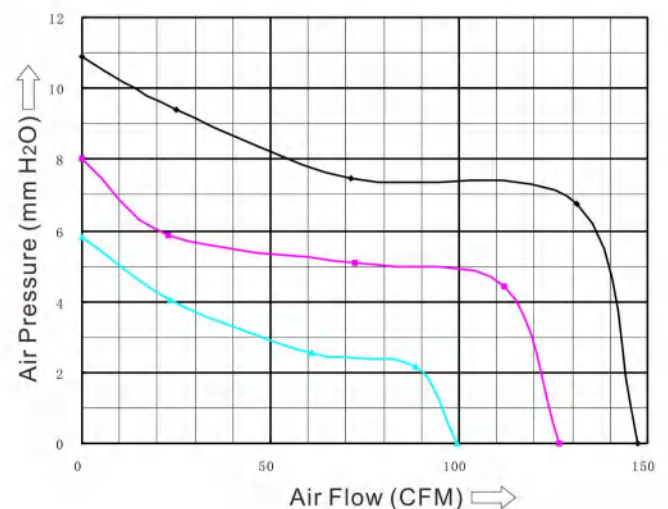
SPECIFICATIONS

Model	Bearing System		Rated Voltage	Freq.	Operation Voltage	Rated Current	Power	Rated Speed	Air Flow	Air Pressure	Noise Level	Weight
	Ball	Sleeve	VAC	Hz	VAC	A	W	RPM	CFM	mmH ₂ O	dBA	g
SE1238DB	●		115/230	50/60	98-264	0.13	18.0	4000	168.2	14.2	50	260
SE1238HX	●	●				0.10	12.0	3500	147.6	10.9	47	
SE1238MX	●	●				0.08	8.0	3000	126.5	8.0	44	
SE1238LX	●	●				0.06	6.0	2500	99.7	5.8	40	

DIMENSIONS DRAWING



P&Q CURVE (AT RATED VOLTAGE)



Note:

- *All readings are typical values at rated voltage.
- *Specifications are subject to change without prior notice.
- *"X" in model list can be B, S, and C, meaning Dual Ball Bearing, Sleeve Bearing and 1 Ball 1 Sleeve Bearing

172 EC Fan Series x51mm

CE RoHS

Optional Features



ENERGY SAVING
ECDYNAMIC™



GENERAL SPECIFICATIONS

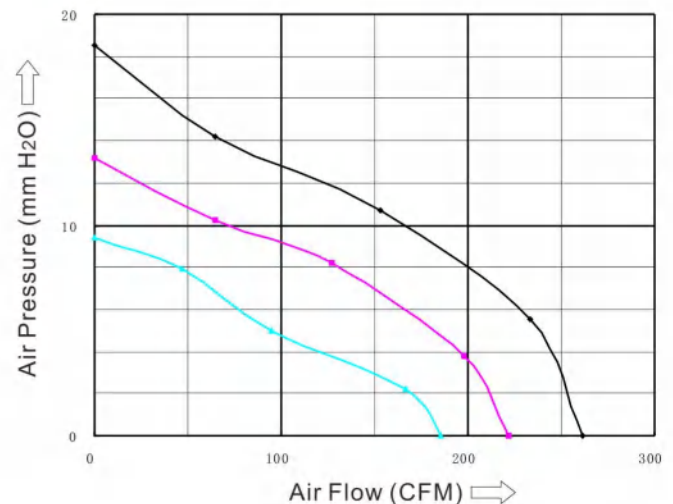
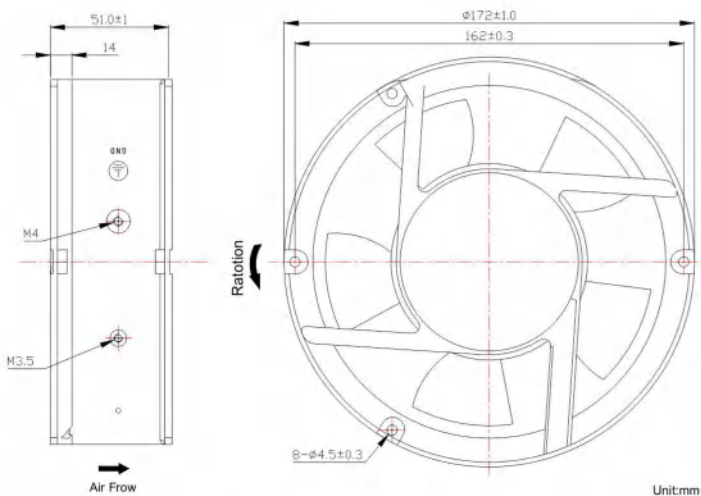
Bearing Type: Ball Bearing
 Material: Impeller: Plastic; Frame: Aluminum Alloy
 Lead Wire: UL Type
 Operation Temperature: -10°C-70°C, 35%-85%RH
 Storage Temperature: -40°C-80°C, 35%-85%RH

SPECIFICATIONS

Model	Bearing System		Rated Voltage	Freq.	Operation Voltage	Rated Current	Power	Rated Speed	Air Flow	Air Pressure	Noise Level	Weight
	Ball	Sleeve	VAC	Hz	VAC	A	W	RPM	CFM	mmH ₂ O	dBA	g
SE1725HB	●		115/230	50/60	98-264	0.35	35.0	3500	261.5	18.5	59	760
SE1725MB	●					0.25	22.0	3000	221.2	13.2	51	
SE1725LB	●					0.18	15.0	2500	185.5	9.4	44	

DIMENSIONS DRAWING

P&Q CURVE (AT RATED VOLTAGE)



Note:

*All readings are typical values at rated voltage.

*Specifications are subject to change without prior notice.

* "X" in model list can be B, S, and C, meaning Dual Ball Bearing, Sleeve Bearing and 1 Ball 1 Sleeve Bearing

172 EC Fan Series

x150x51mm

CE RoHS

Optional Features



ENERGY SAVING
ECDYNAMIC™



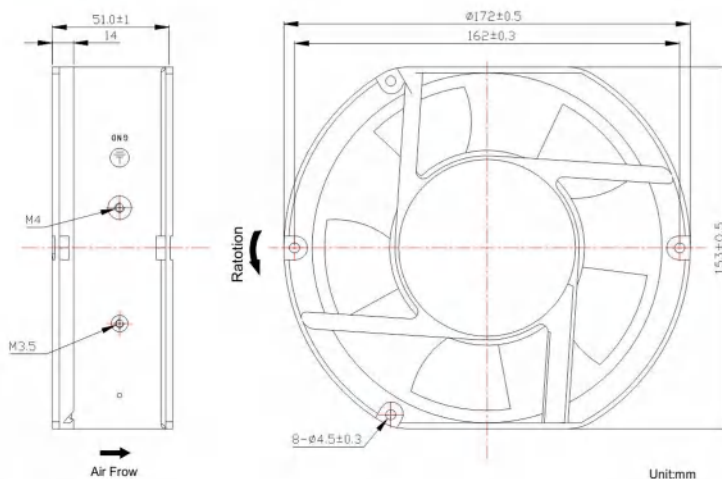
GENERAL SPECIFICATIONS

Bearing Type: Ball Bearing
 Material: Impeller: Plastic ; Frame: Aluminum Alloy
 Lead Wire: UL Type
 Operation Temperature: -10°C-70°C, 35%-85%RH
 Storage Temperature: -40°C-80°C, 35%-85%RH

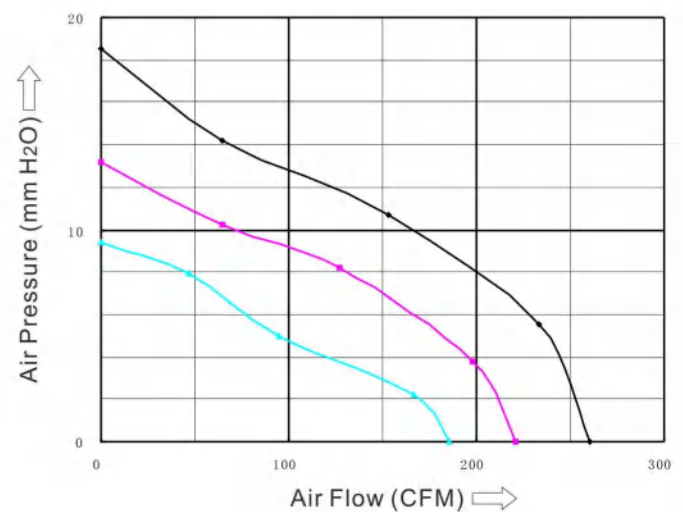
SPECIFICATIONS

Model	Bearing System		Rated Voltage	Freq.	Operation Voltage	Rated Current	Power	Rated Speed	Air Flow	Air Pressure	Noise Level	Weight
	Ball	Sleeve	VAC	Hz	VAC	A	W	RPM	CFM	mmH ₂ O	dBA	g
SDE1751XH	●	●	115/230	50/60	98-264	0.35	35.0	3500	260.0	18.5	59	740
SDE1751XM	●	●				0.25	22.0	3000	220.9	13.2	51	
SDE1751XL	●	●				0.18	16.0	2500	185.2	9.4	44	

DIMENSIONS DRAWING



P&Q CURVE (AT RATED VOLTAGE)



Note:

*All readings are typical values at rated voltage.

*Specifications are subject to change without prior notice.

*"X" in model list can be B, S, and C, meaning Dual Ball Bearing, Sleeve Bearing and 1 Ball 1 Sleeve Bearing

200 EC Fan Series

x200x60mm

CE RoHS

Optional Features



ENERGY SAVING
ECDYNAMIC™



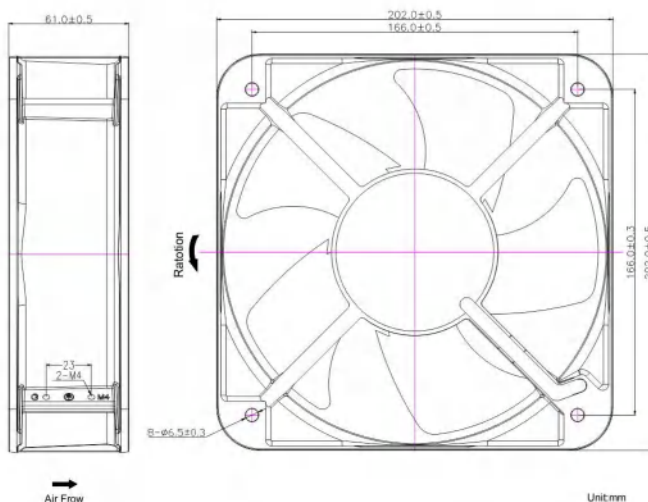
GENERAL SPECIFICATIONS

Bearing Type: Ball Bearing
 Material: Impeller: Plastic; Frame: Aluminum Alloy
 Lead Wire: UL Type
 Operation Temperature: -10°C-70°C, 35%-85%RH
 Storage Temperature: -40°C-80°C, 35%-85%RH

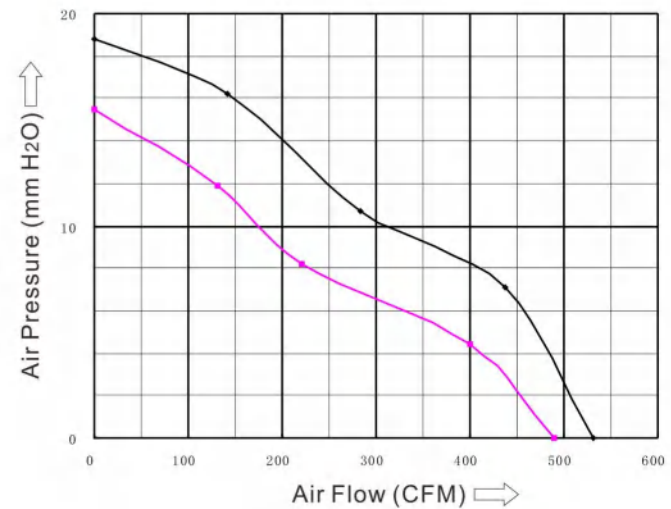
SPECIFICATIONS

Model	Bearing System		Rated Voltage	Freq.	Operation Voltage	Rated Current	Power	Rated Speed	Air Flow	Air Pressure	Noise Level	Weight
	Ball	Sleeve	VAC	Hz	VAC	A	W	RPM	CFM	mmH ₂ O	dBA	g
SE2060MB	●		115/230	50/60	98-264	0.40	45.0	2500	532.0	18.8	58	1300
SE2060LB	●					0.20	25.0	2000	490.0	15.5	50	

DIMENSIONS DRAWING



P&Q CURVE (AT RATED VOLTAGE)



Note:

- *All readings are typical values at rated voltage.
- *Specifications are subject to change without prior notice.
- * "X" in model list can be B, S, and C, meaning Dual Ball Bearing, Sleeve Bearing and 1 Ball 1 Sleeve Bearing

220 EC Fan Series X 60MM

CE RoHS

Optional Features



ENERGY SAVING
ECDYNAMIC™



GENERAL SPECIFICATIONS

Bearing Type: Ball Bearing
 Material: Impeller: Plastic; Frame: Aluminum Alloy
 Lead Wire: UL Type
 Operation Temperature: -10°C-70°C, 35%-85%RH
 Storage Temperature: -40°C-80°C, 35%-85%RH

SPECIFICATIONS

Model	Bearing System		Rated Voltage	Freq.	Operation Voltage	Rated Current	Power	Rated Speed	Air Flow	Air Pressure	Noise Level	Weight
	Ball	Sleeve	VAC	Hz	VAC	A	W	RPM	CFM	mmH ₂ O	dBA	g
SE2260MB	●		115/230	50/60	98-264	0.40	45.0	2500	532.0	18.8	58	1350
SE2260LB	●					0.20	25.0	2000	490.0	15.5	50	

P&Q CURVE (AT RATED VOLTAGE)

