

Eyeskey 艾斯基

运动光学产品使用手册

PRODUCT MANUAL

杭州艾斯基光学仪器有限公司

—— www.eyeskey.cn ——

 **警告!**

请勿使用望远镜直接观看太阳，以免对眼睛造成伤害。
儿童请在大人正确指导下使用。

 **WARNING!**

NEVER LOOK DIRECTLY AT THE SUN WITH YOUR BINOCULAR,
AS IT MAY CAUSE SERIOUS DAMAGE TO YOUR EYES.

目录

安全预防	1
保养与保存	2
产品结构	3-12
- 单铰链屋脊双筒望远镜结构	3-4
- 双铰链屋脊双筒望远镜结构	5
- 中央调焦保罗双筒望远镜结构	6
- 左右调焦保罗双筒望远镜结构	7
- 定倍单筒望远镜结构	8
- 变倍单筒望远镜结构	9
- 定倍和变倍观靶镜结构	10-12
镜带操作指南	13
眼罩操作指南	14
瞳距操作指南	15
清晰度操作指南	16-20
- 中央调焦+右视度轮结构产品	16
- 中央调焦+中央视度轮结构产品	17
- 左右目镜调焦结构产品	18
- 定倍和变倍单筒产品	19
- 定倍和变倍观靶镜产品	20
脚架操作指南	21-23
警告	24
适用场景	25
常见问题	26
合格证	
保修卡	

安全预防

一、使用望远镜观察目标时，请勿将望远镜手轮旋转超出极限位置，以免产品损坏。

二、避免雨水、溅水、砂砾和泥浆的侵蚀。对于防水望远镜，虽然一定的雨水或者溅水不会造成损害，但也应尽快擦去水渍，保持干燥。

三、避免望远镜受到震动冲击。如果在发生镜身坠落或望远镜打湿后不能获得正常的影像，请立即将它们送至您购买产品的经销商处进行检查。

四、当温度突然发生变化时，在镜片上可能会产生水分凝结。在这种情况下，应在室温下对望远镜进行彻底干燥。

保养与保存

一、由于湿度过高可能会在镜片上产生水分凝结或水雾。因此，应将望远镜存放在凉爽、干燥的环境中。当在雨天或夜间使用后，应在室温下进行彻底干燥，然后存放在凉爽干燥的场所中。

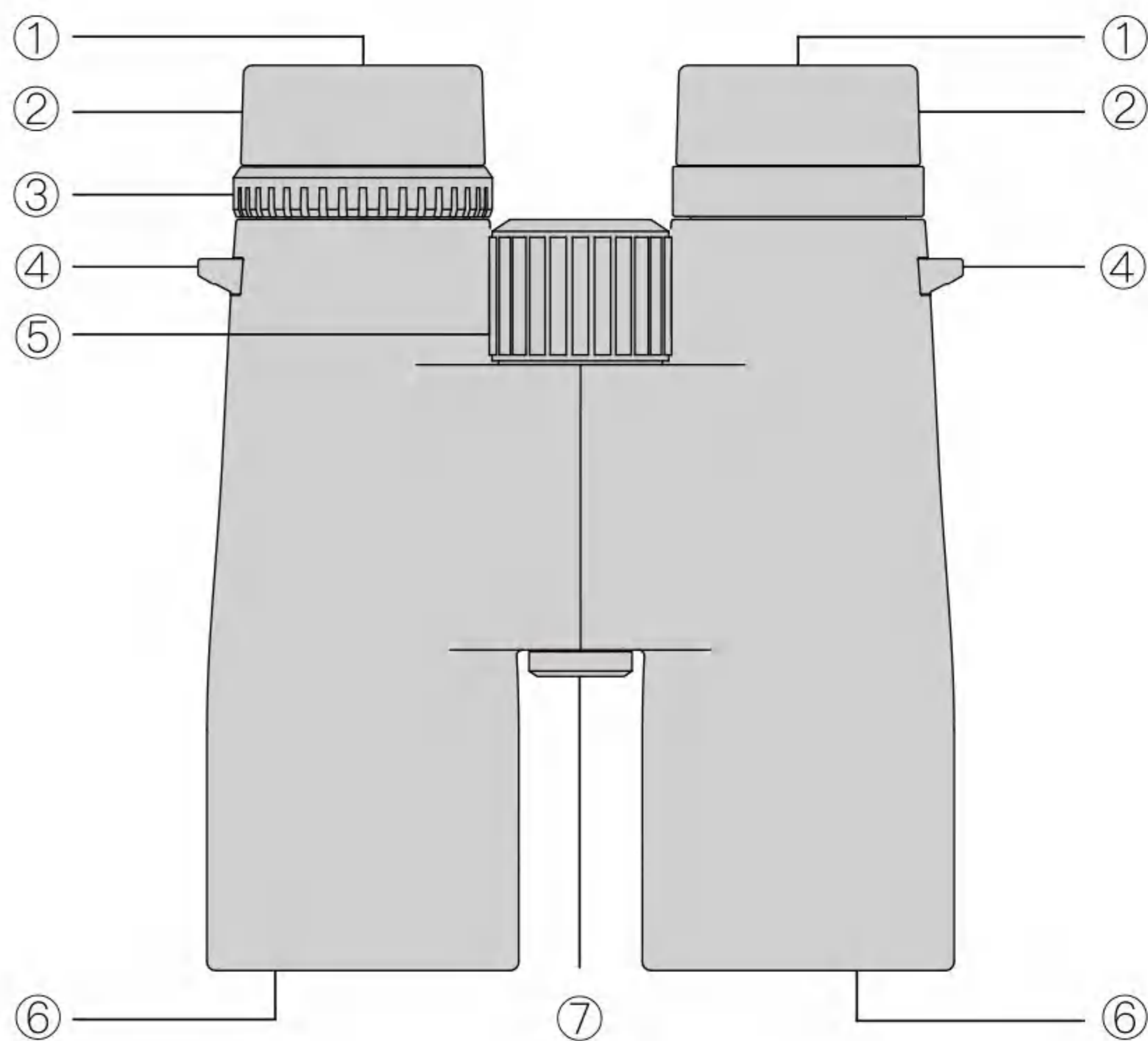
二、对于长期的保存，应将望远镜存放在塑料袋或气密容器中，并附加一定的干燥剂。如果不方便这样做，那么就将它们存放在干净、通风良好的地方。不要靠近发热设备。不然可能对望远镜造成损害或产生负面影响。

三、在用吹风机除去了灰尘之后，使用干净的软质尘布对镜身进行清洁。在海边使用后，用水轻微浸润干净的软质除尘布，并擦除镜身上可能残留的盐分。然后用干的除尘布擦拭镜身。不要使用苯、稀释剂或其他有机制剂。

四、清除镜片上的灰尘时，应使用柔软的无油毛刷。

五、从镜片上清除指纹一类的污点或污迹时，应该使用柔软的清洁棉布或高品质的无油镜头纸，非常轻柔地对镜片进行擦拭。使用少量纯酒精（未变性）来除去顽固污渍。不要使用绒布或普通纸，因为它们可能会划伤镜片。一旦清洁棉布被用来清洁镜身，那么就不应再使用它们清洁镜片。

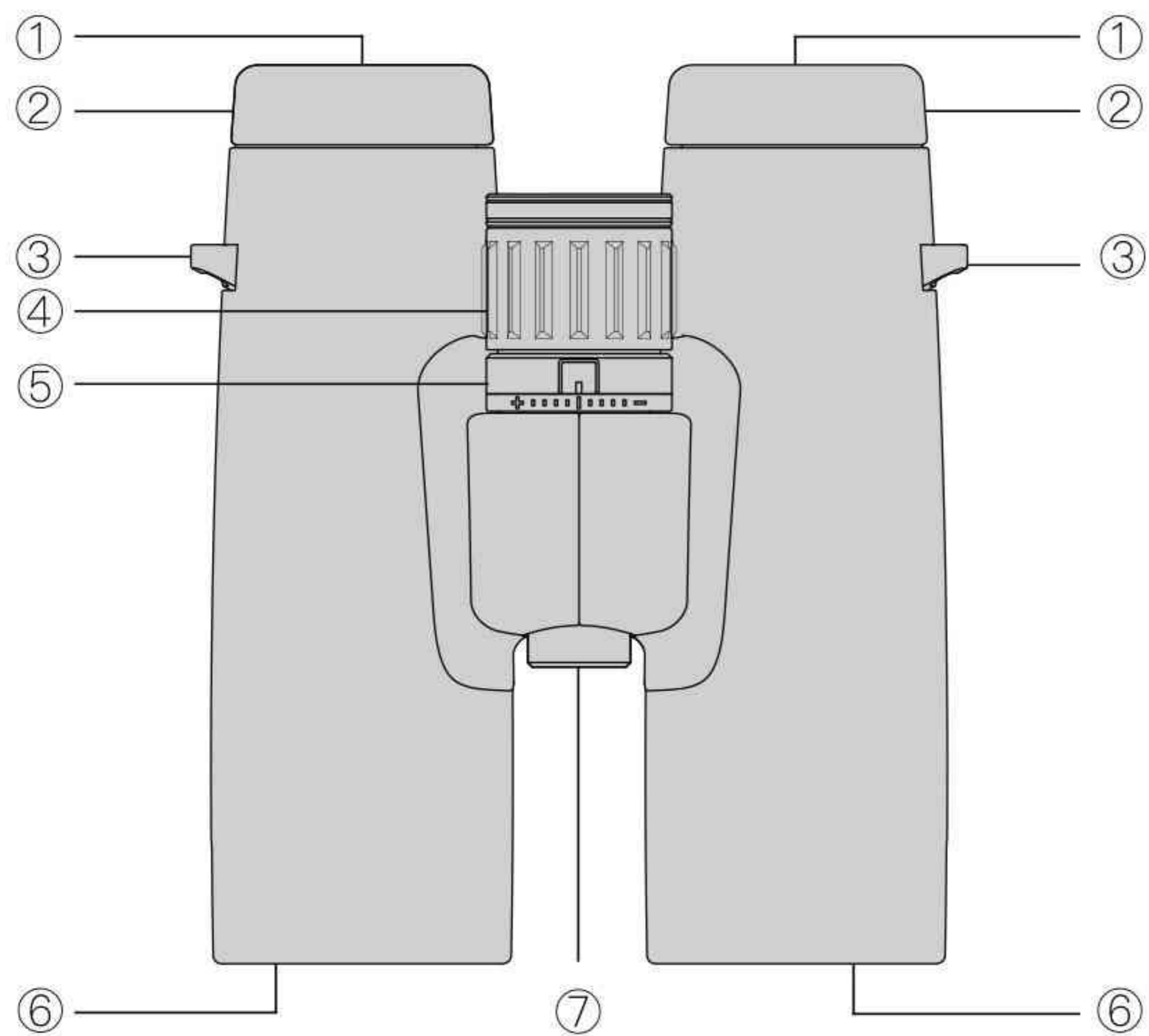
单铰链屋脊双筒望远镜结构



(右视度轮结构)

- ① 目镜 ② 眼罩 ③ 视度手轮 ④ 背带孔
⑤ 调焦手轮 ⑥ 物镜 ⑦ 支架孔

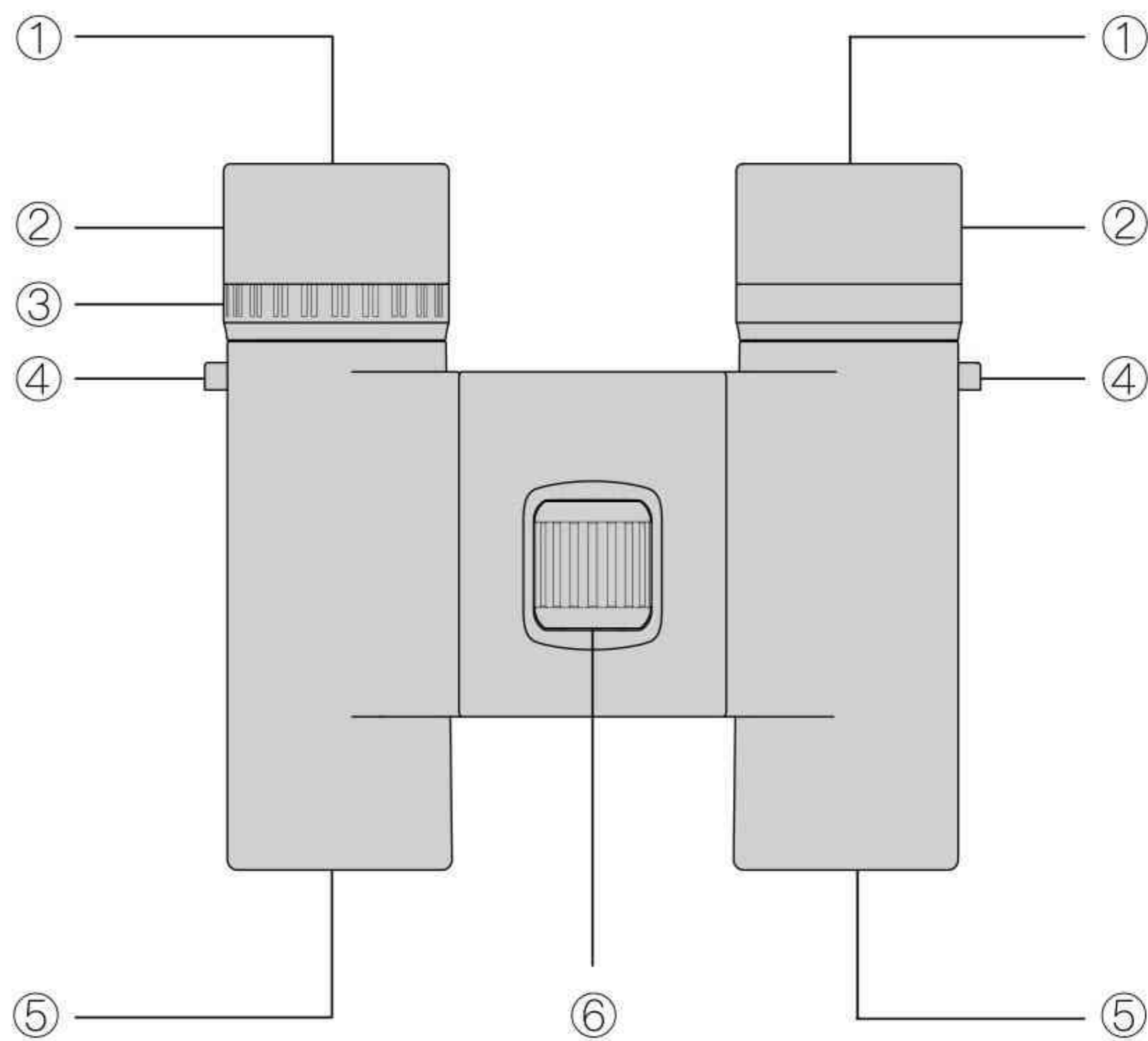
单铰链屋脊双筒望远镜结构



(中央视度轮结构)

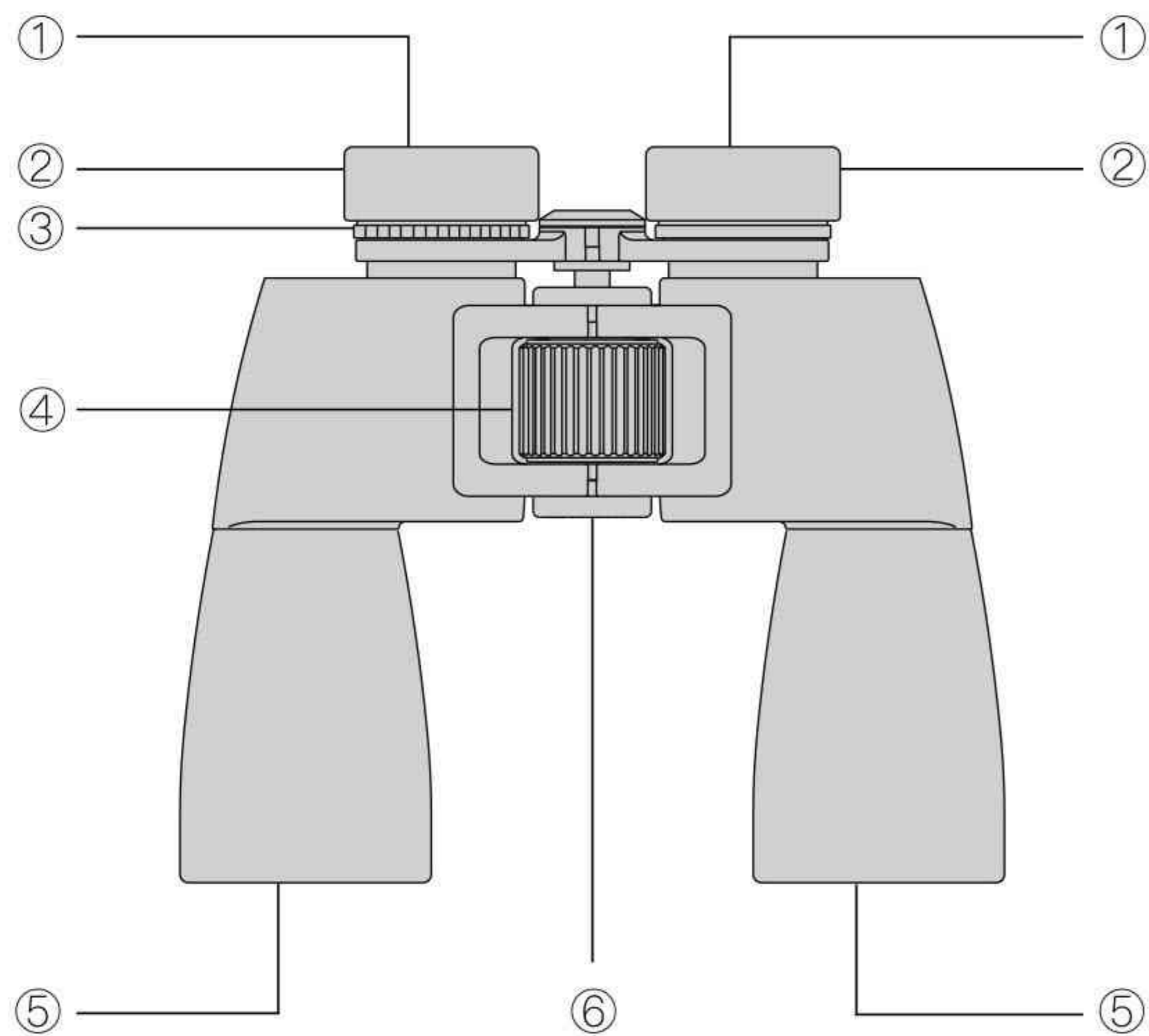
- ① 目镜 ② 眼罩 ③ 背带孔 ④ 调焦手轮
⑤ 视度手轮 ⑥ 物镜 ⑦ 支架孔

双铰链屋脊双筒望远镜结构



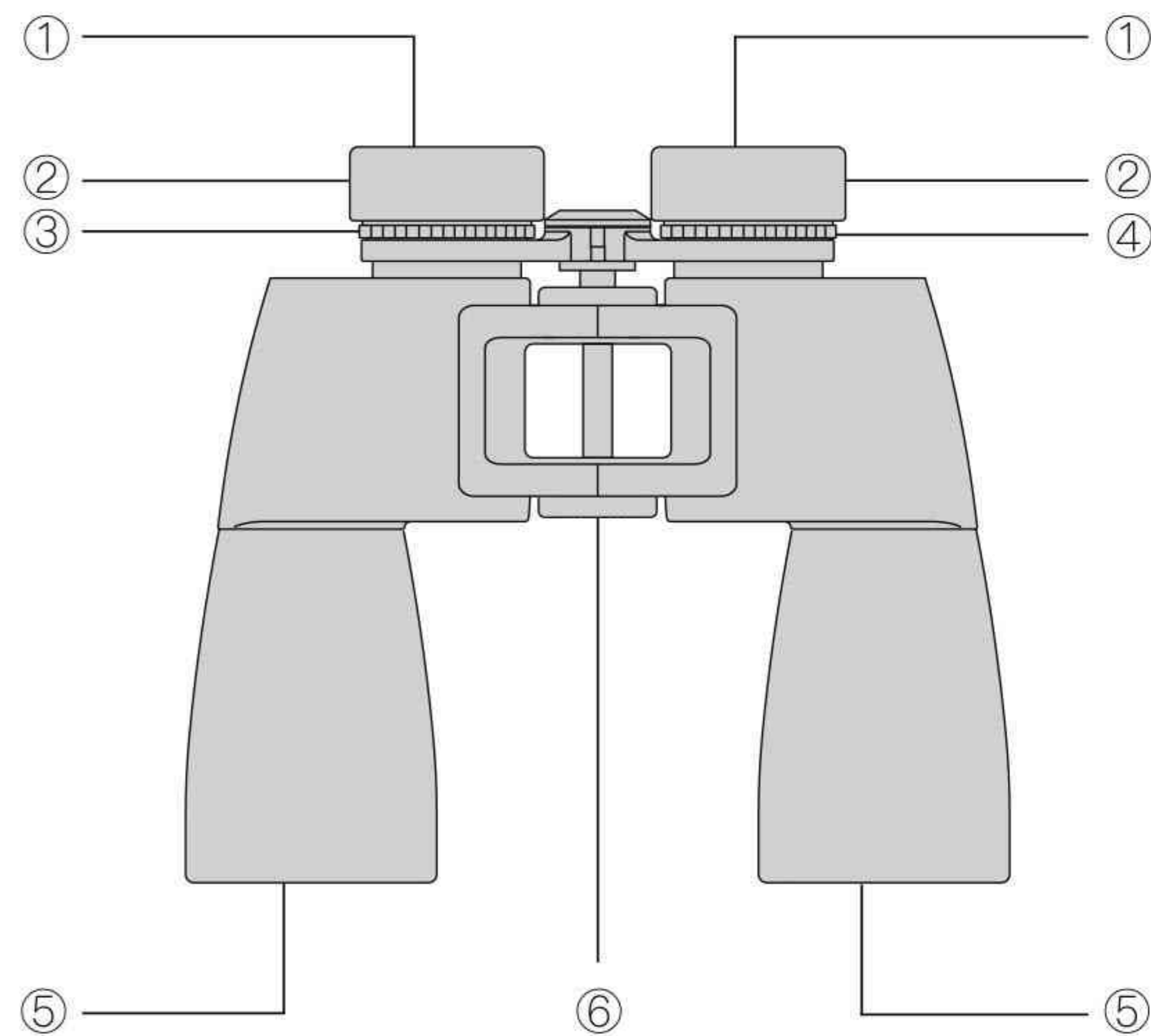
- ① 目镜 ② 眼罩 ③ 视度手轮 ④ 背带孔
⑤ 物镜 ⑥ 调焦手轮

中央调焦保罗双筒望远镜结构



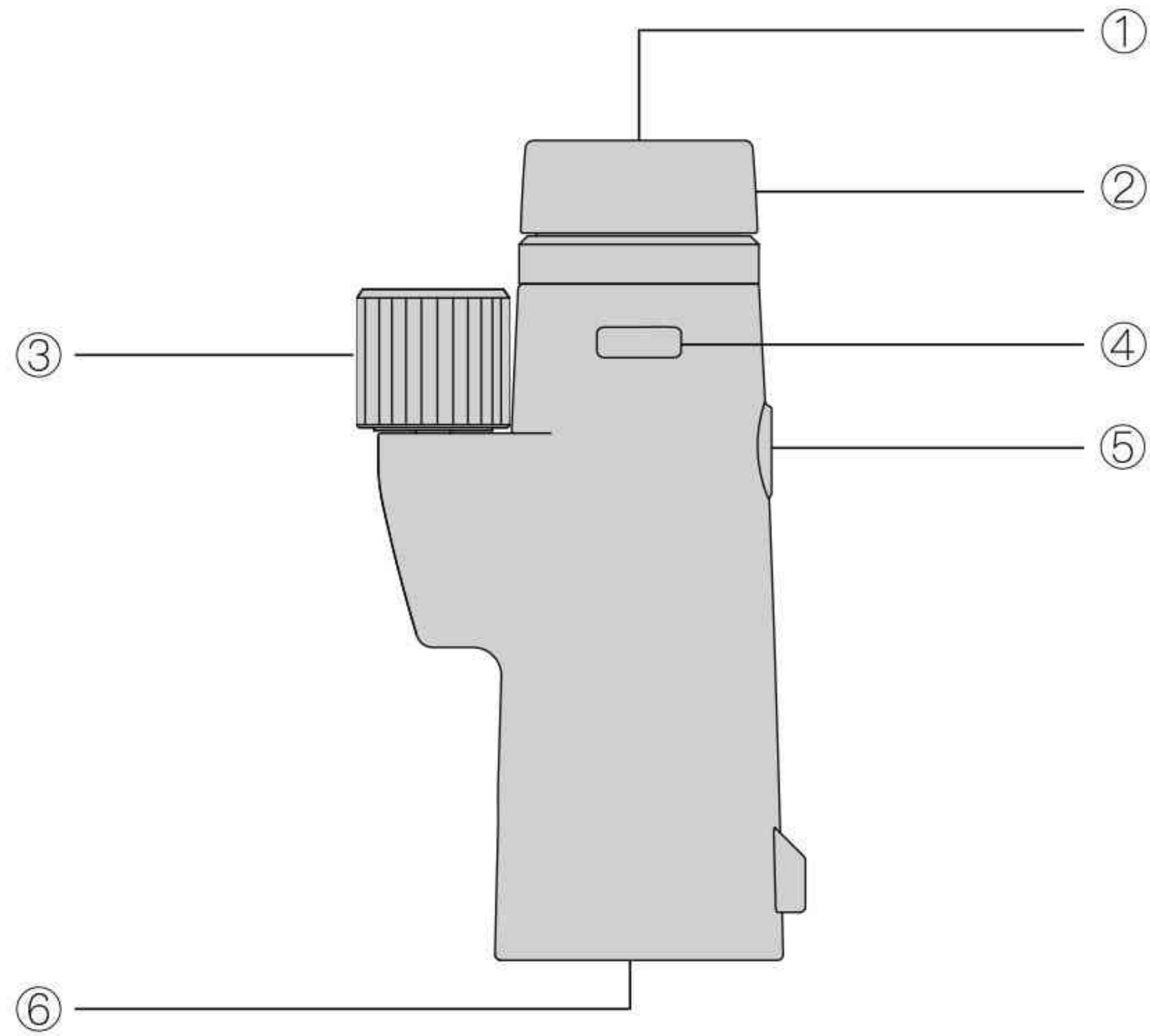
- ① 目镜 ② 眼罩 ③ 视度手轮 ④ 调焦手轮
⑤ 物镜 ⑥ 支架孔

左右调焦保罗双筒望远镜结构



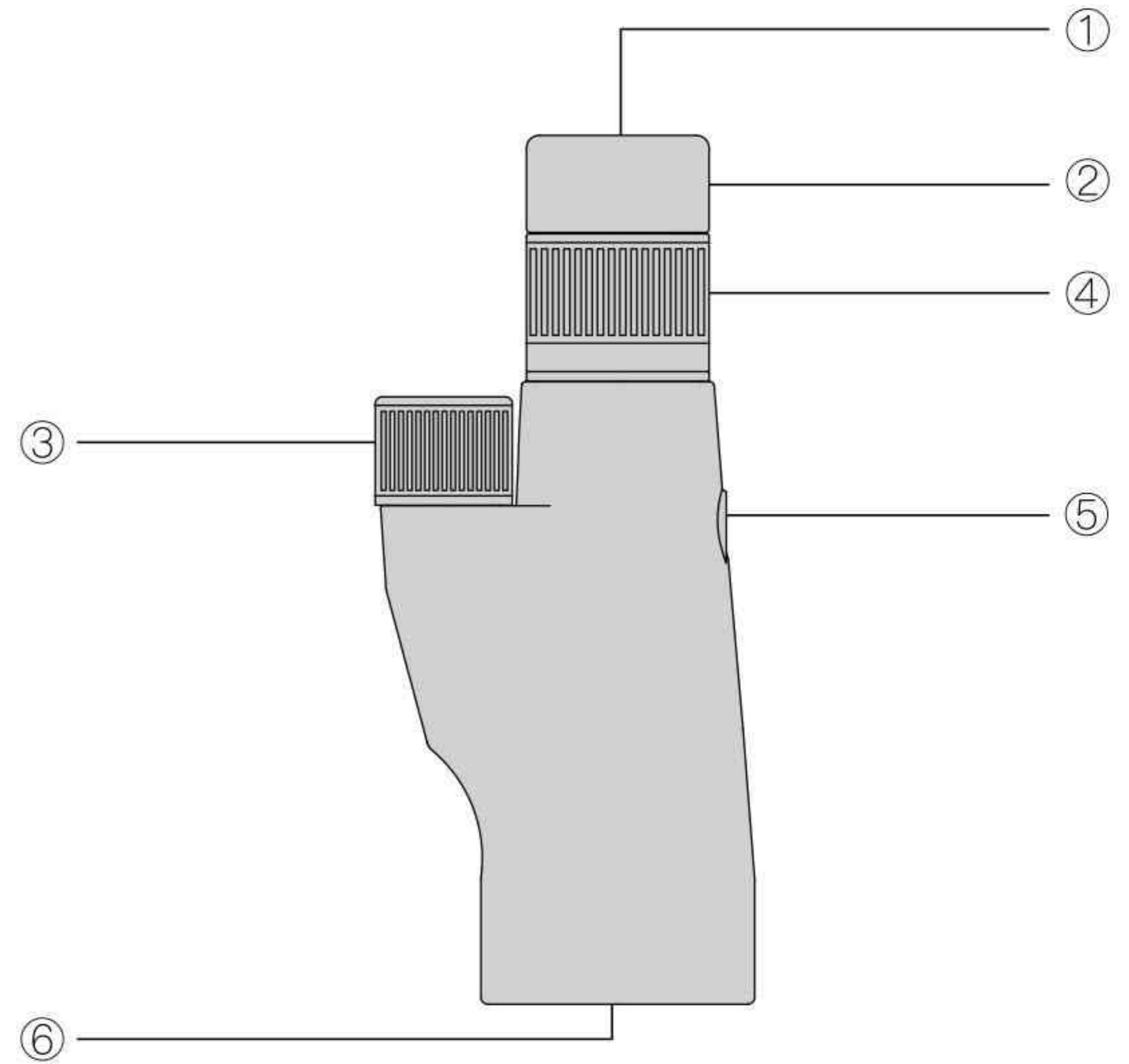
- ① 目镜 ② 眼罩 ③ 右调焦手轮 ④ 左调焦手轮
⑤ 物镜 ⑥ 支架孔

定倍单筒望远镜结构



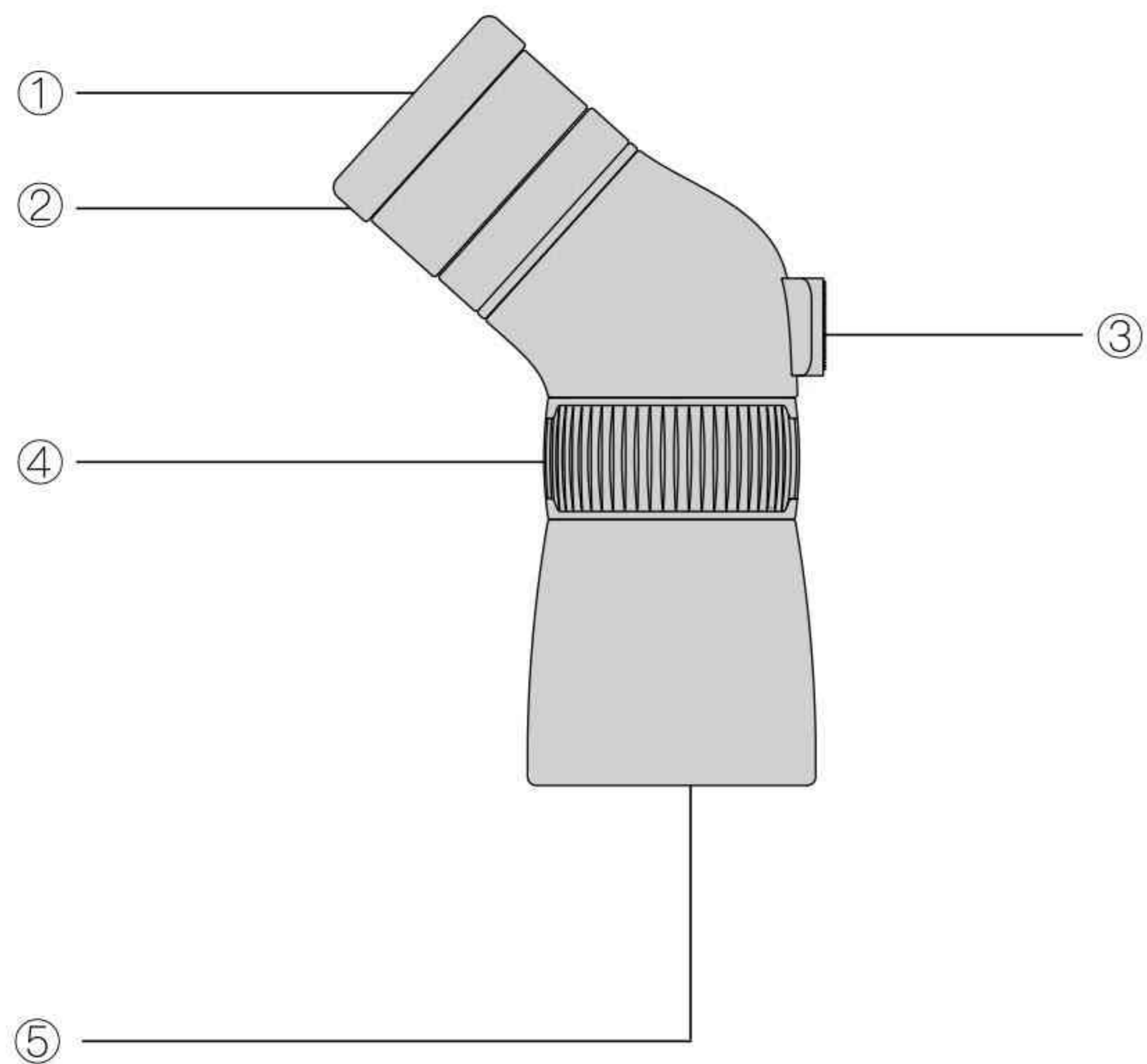
- ① 目镜 ② 眼罩 ③ 调焦手轮
④ 背带孔 ⑤ 支架孔 ⑥ 物镜

变倍单筒望远镜结构



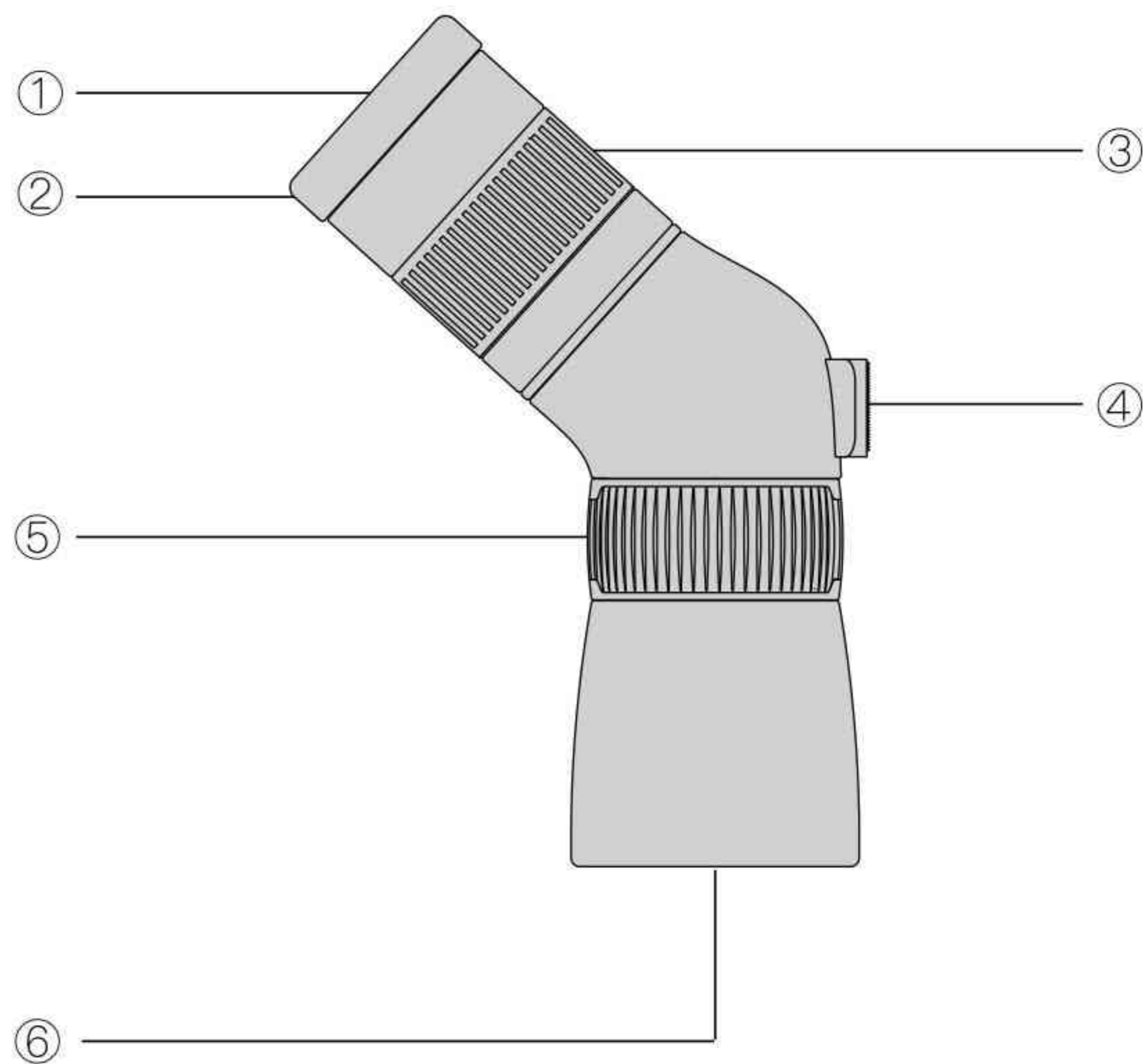
- ① 目镜 ② 眼罩 ③ 调焦手轮
④ 变倍手轮 ⑤ 支架孔 ⑥ 物镜

定倍观靶镜结构



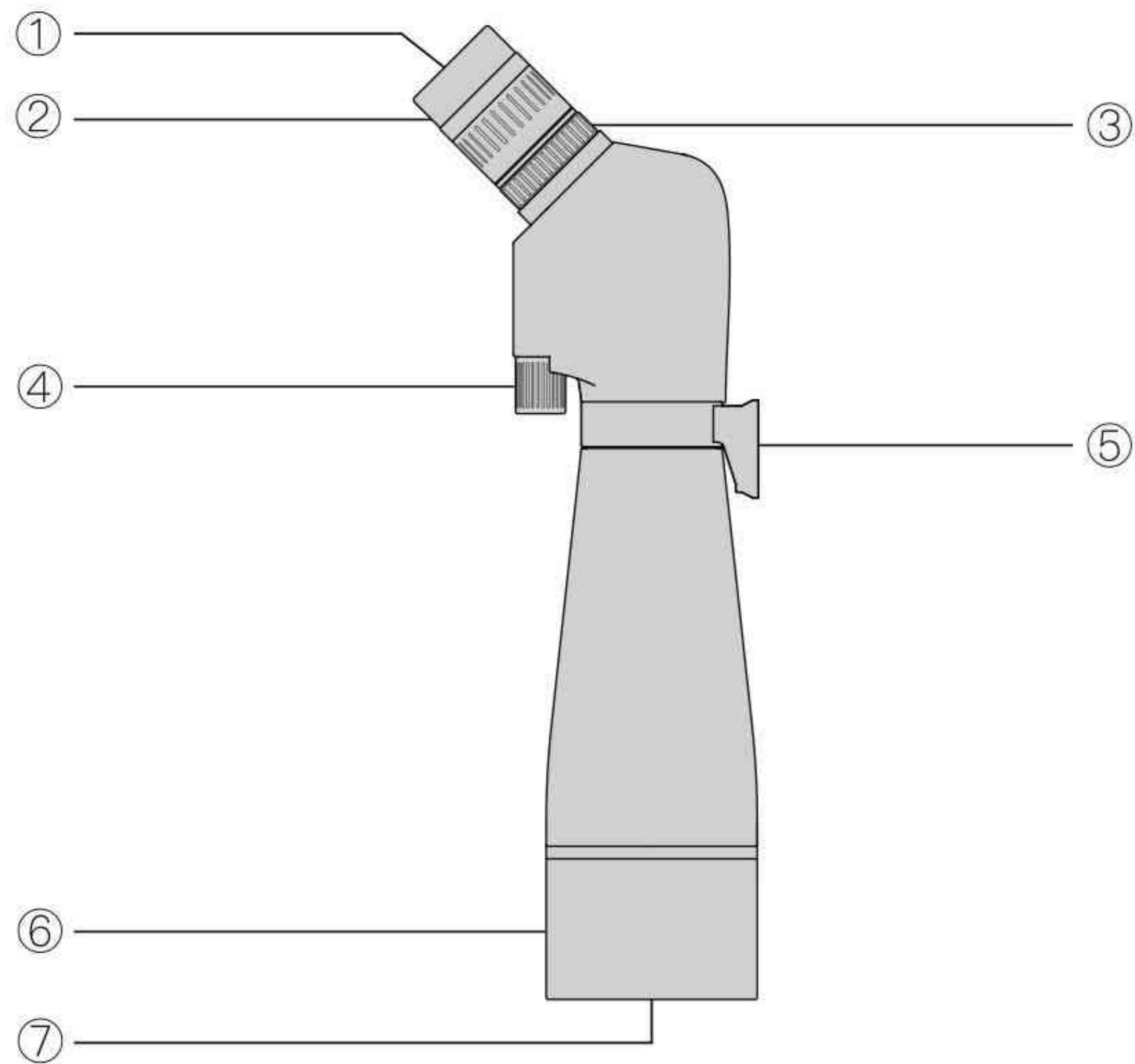
- ① 目镜 ② 眼罩 ③ 承载座
④ 调焦手轮 ⑤ 物镜

变倍观靶镜结构



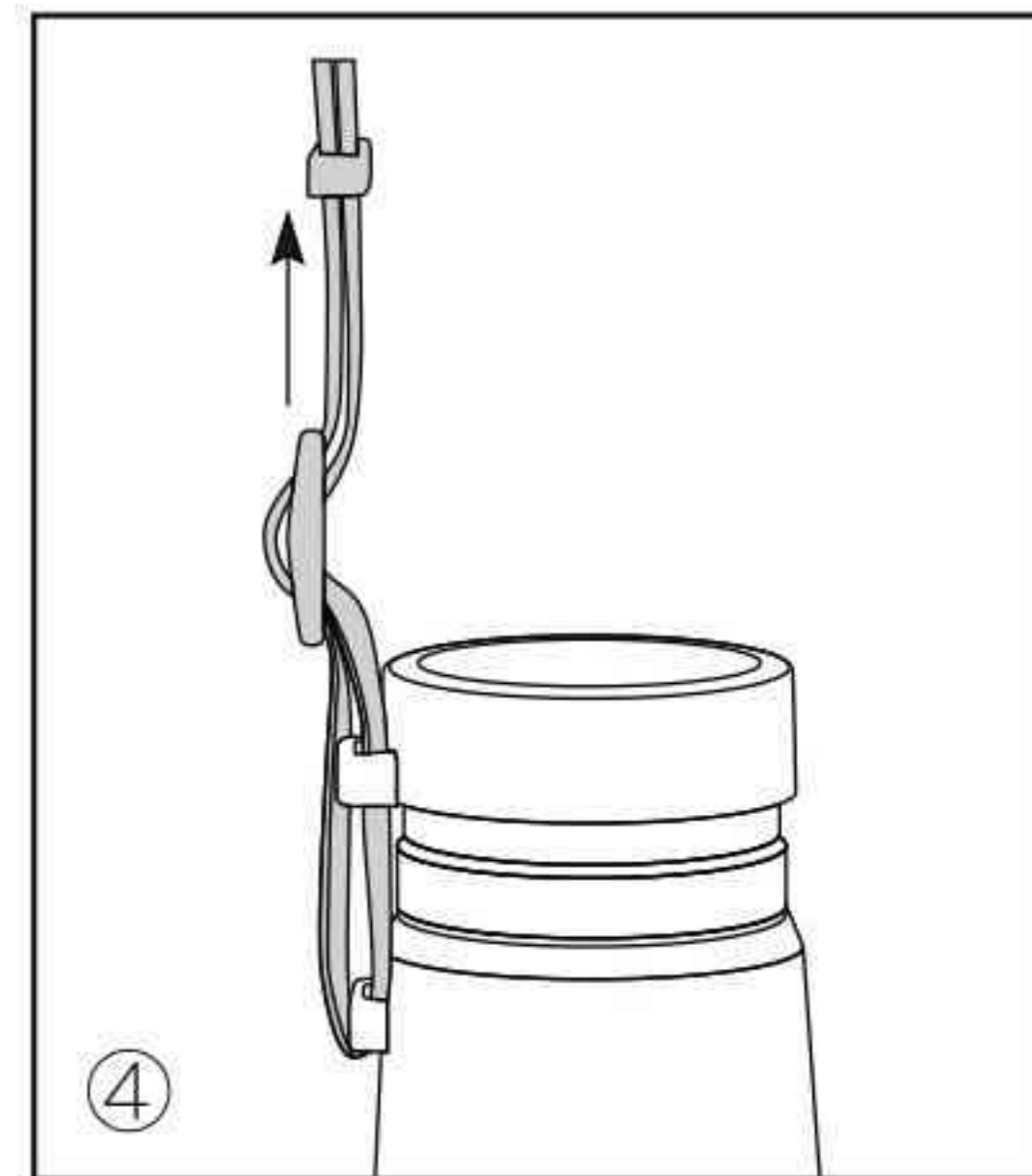
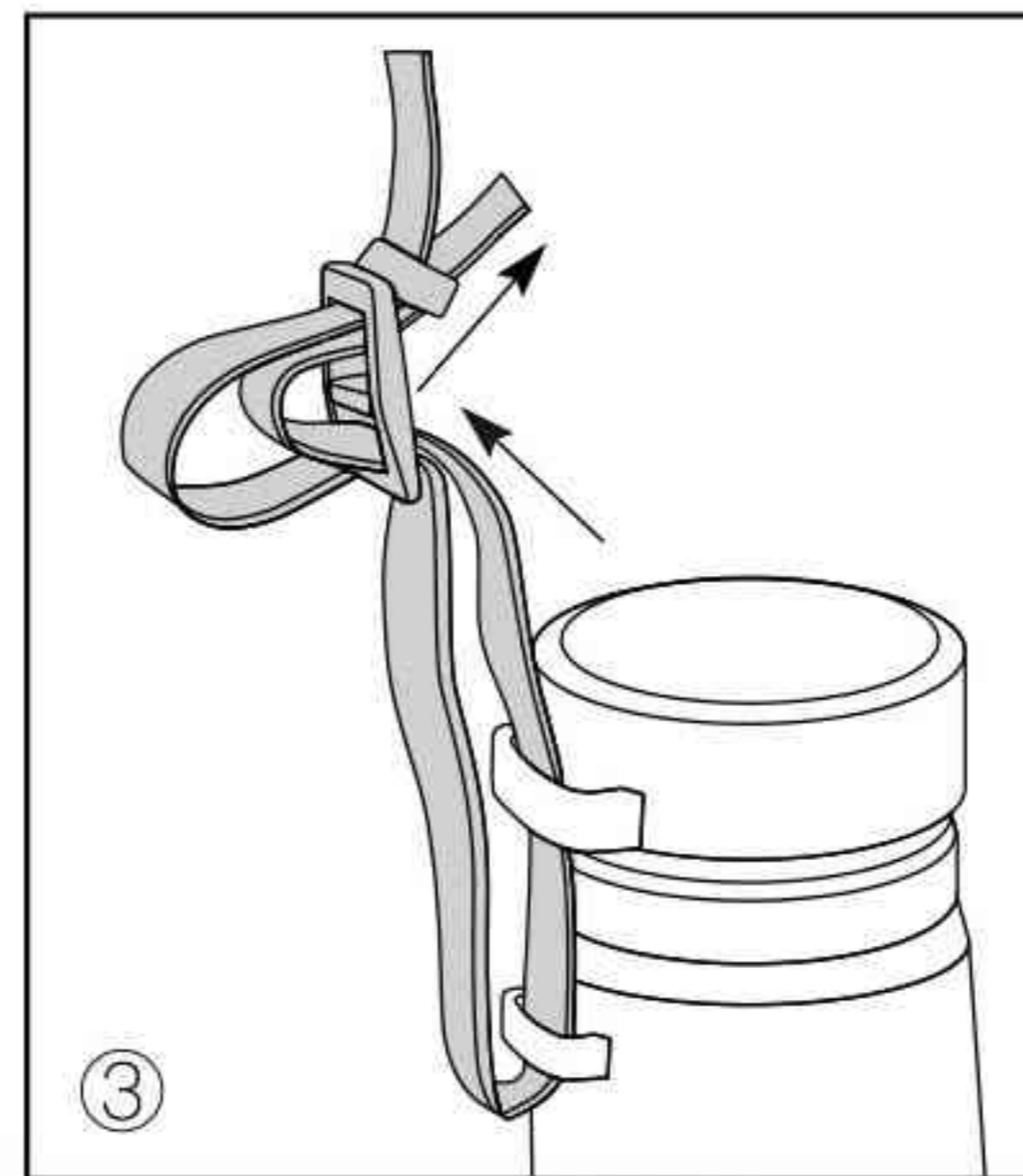
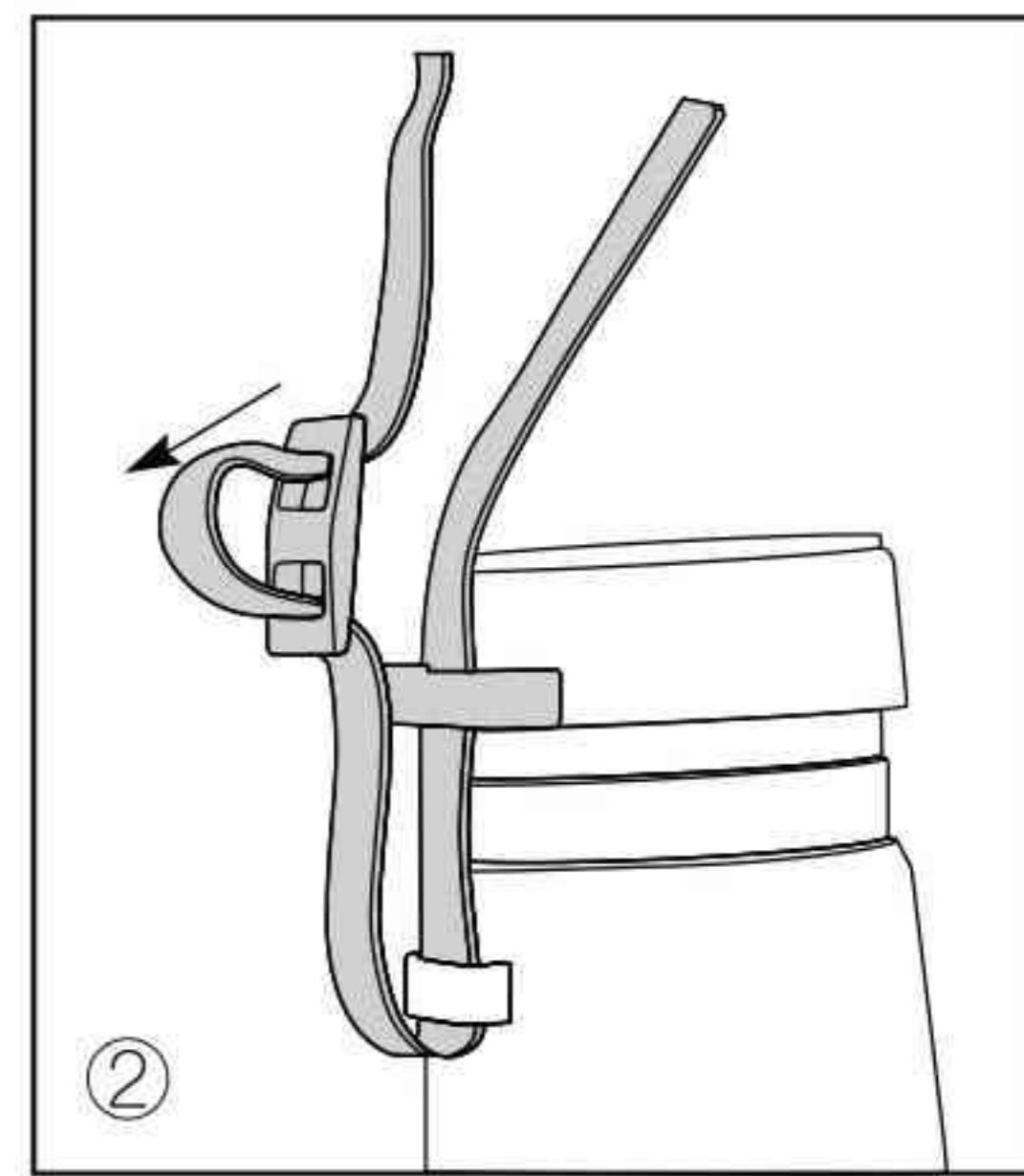
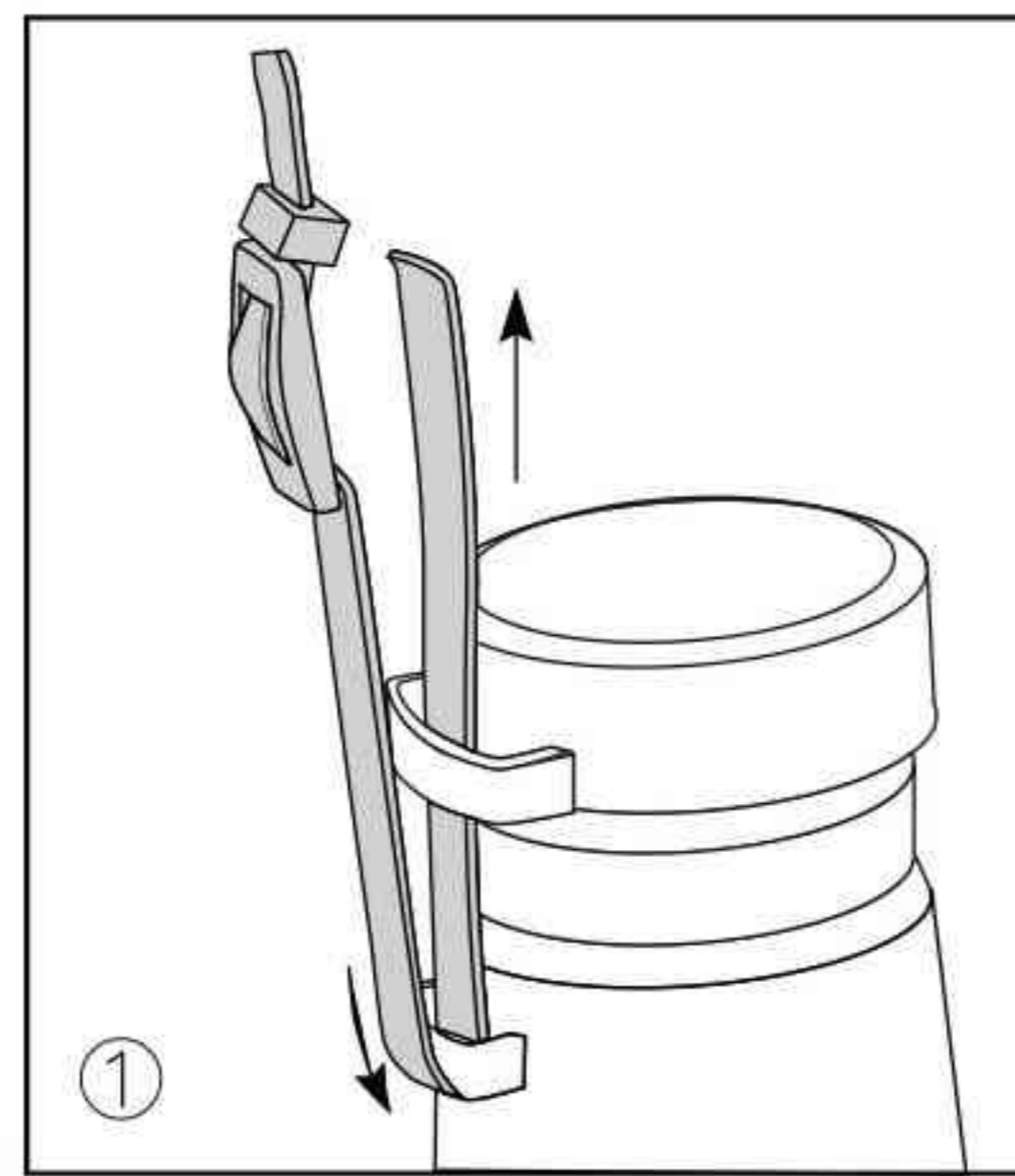
- ① 目镜 ② 眼罩 ③ 变倍手轮
④ 承载座 ⑤ 调焦手轮 ⑥ 物镜

变倍观靶镜结构

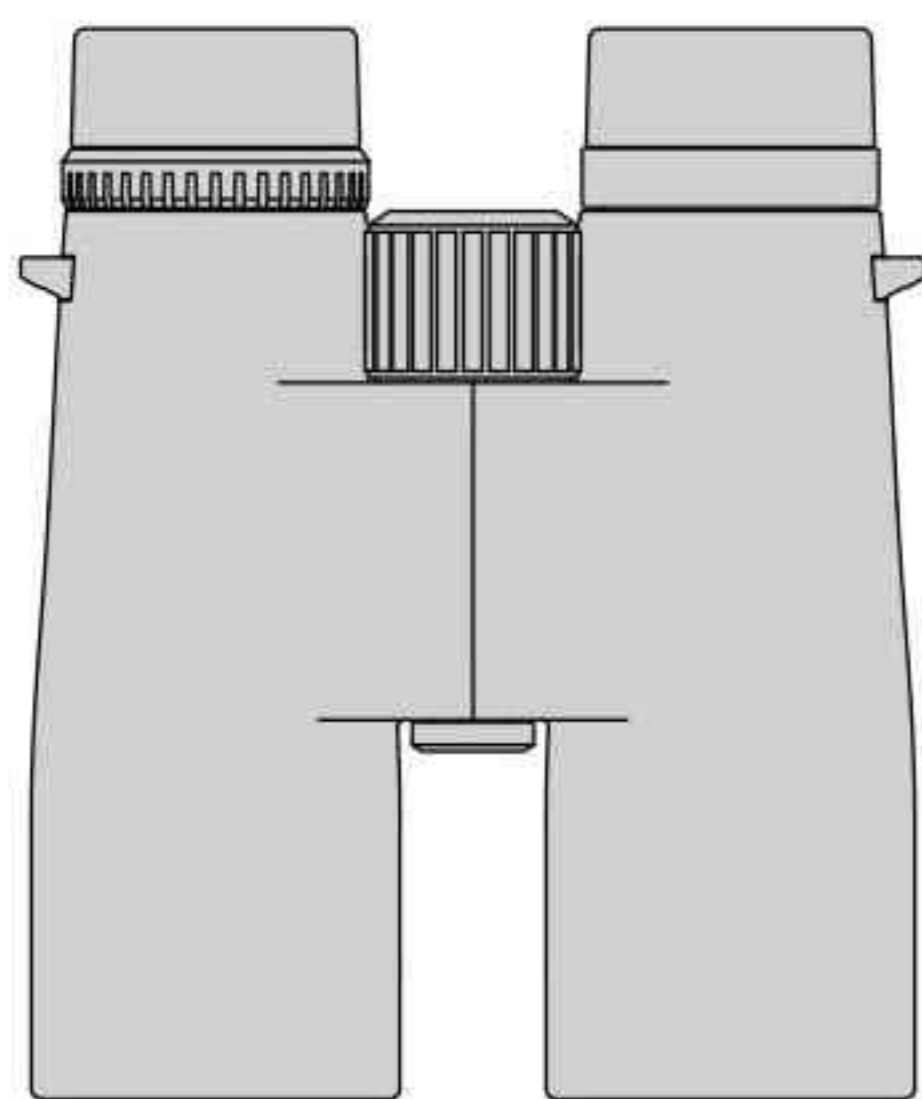


- ① 目镜 ② 眼罩 ③ 变倍手轮 ④ 调焦手轮
⑤ 承载座 ⑥ 遮光罩 ⑦ 物镜

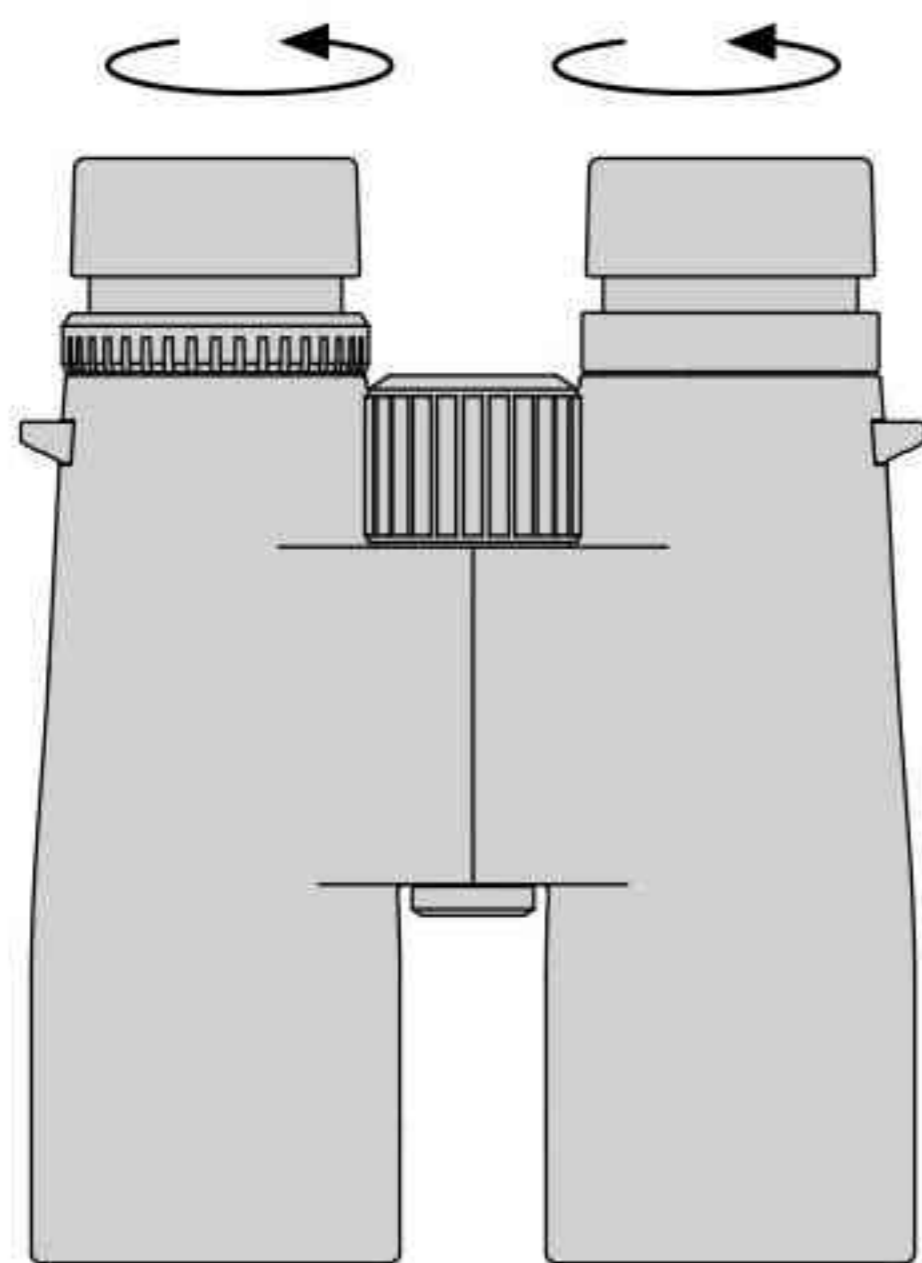
镜带操作指南



眼罩操作指南

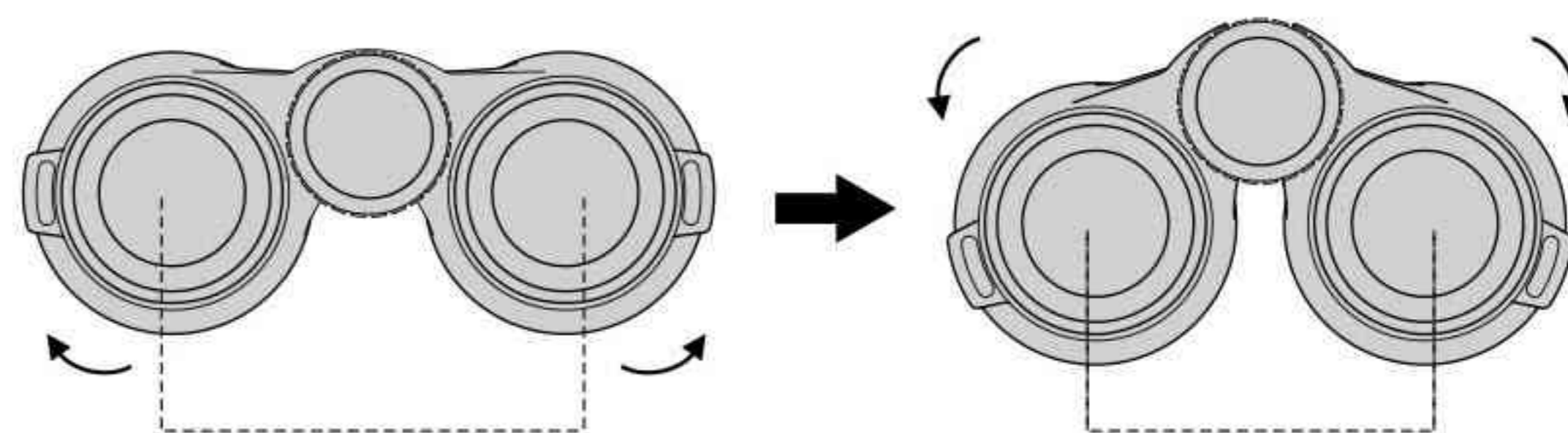


眼罩无需旋升
(建议戴眼镜用户)



逆时针旋转，眼罩升起
(建议不戴眼镜用户)

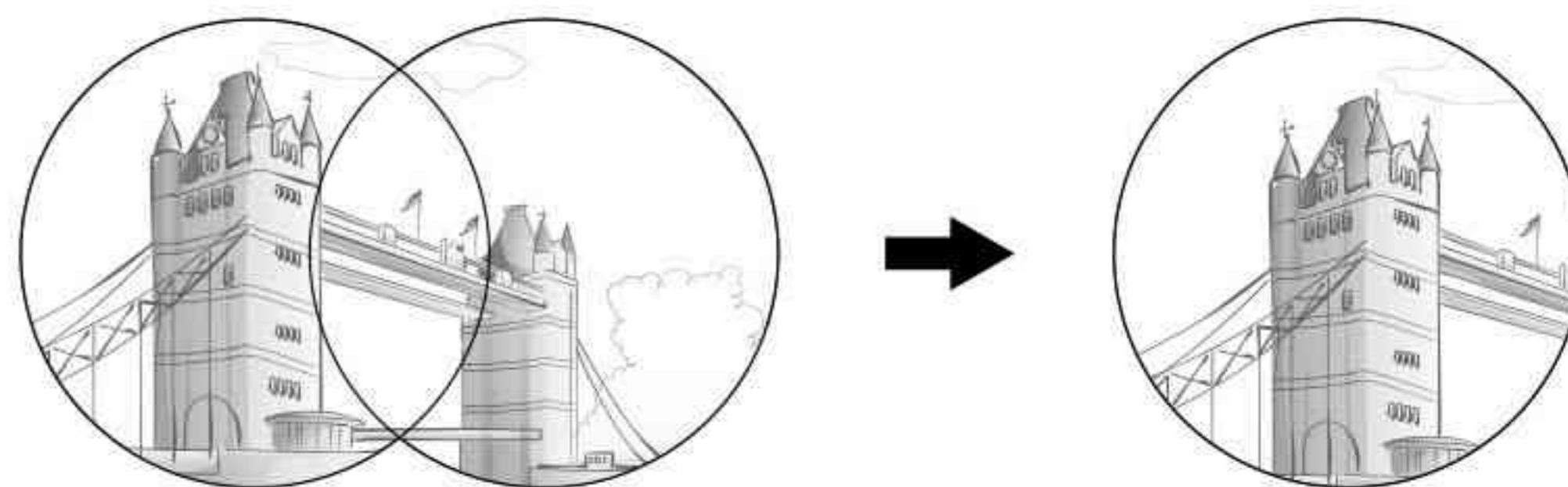
瞳距操作指南



外展瞳距变宽

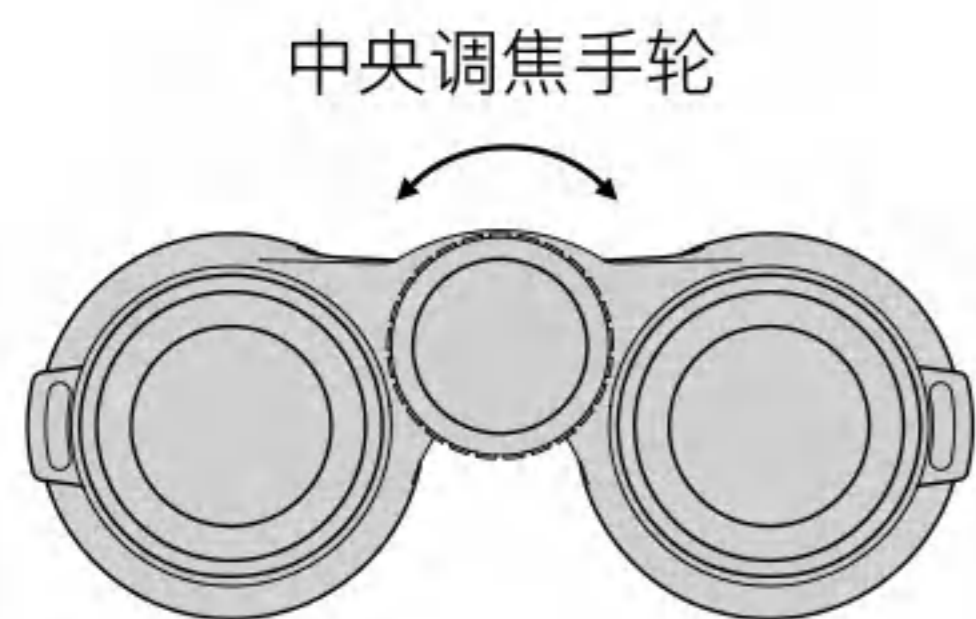
内收瞳距缩短

使用望远镜时依据个人使用情况进行瞳距调节



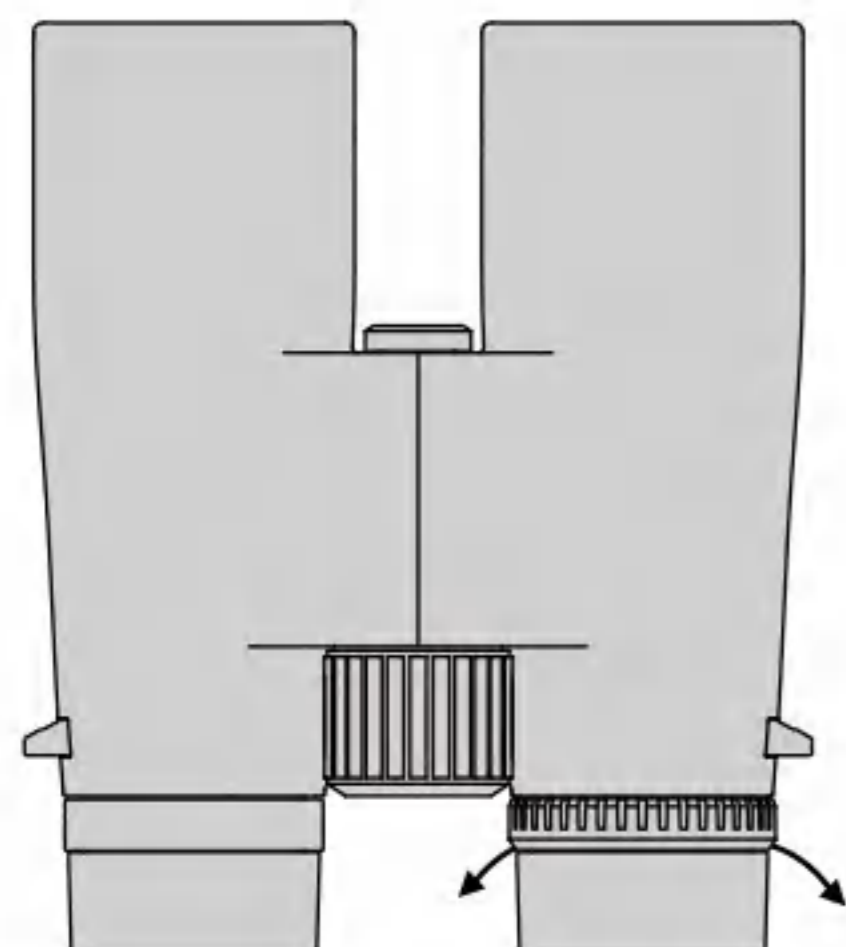
调整瞳距直至左右眼观察目标重合
此时观察过程中可以获得最佳效果

中央调焦+右视度轮结构产品



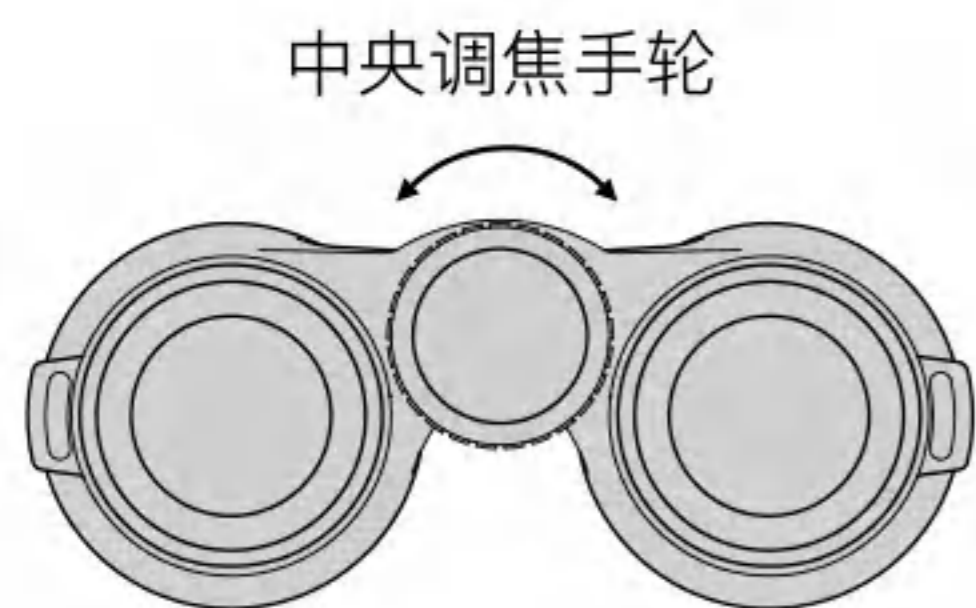
使用左眼观察目标，并旋转调焦手轮，使目标清晰。

左



使用右眼观察同一个目标，并旋转右视度手轮，使目标清晰（同一人使用，视度手轮调节后无需再次调节，除非视力发生变化）。

视度手轮

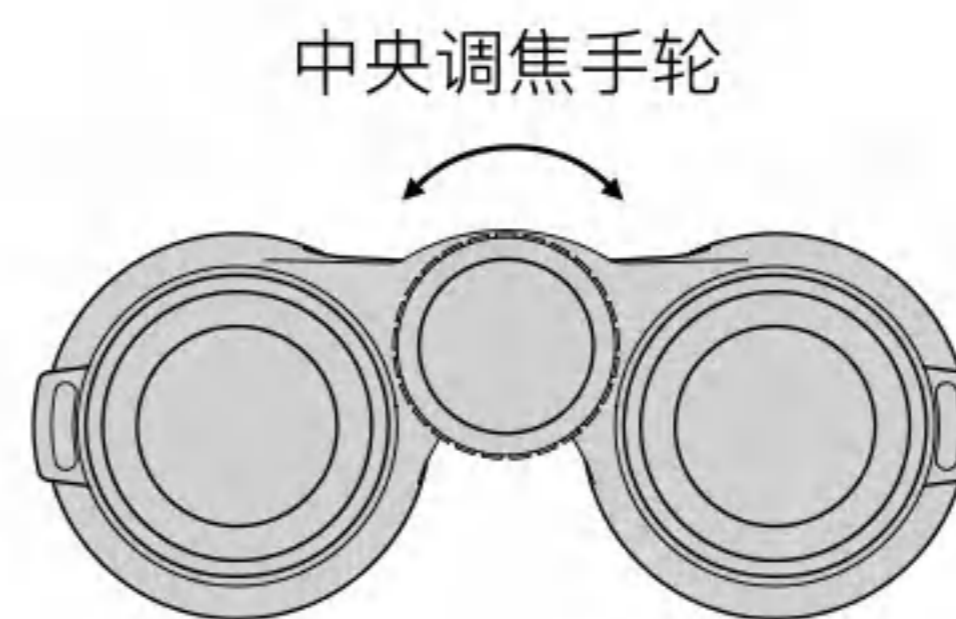


使用双眼观察目标，并旋转调焦手轮，使目标清晰。

左

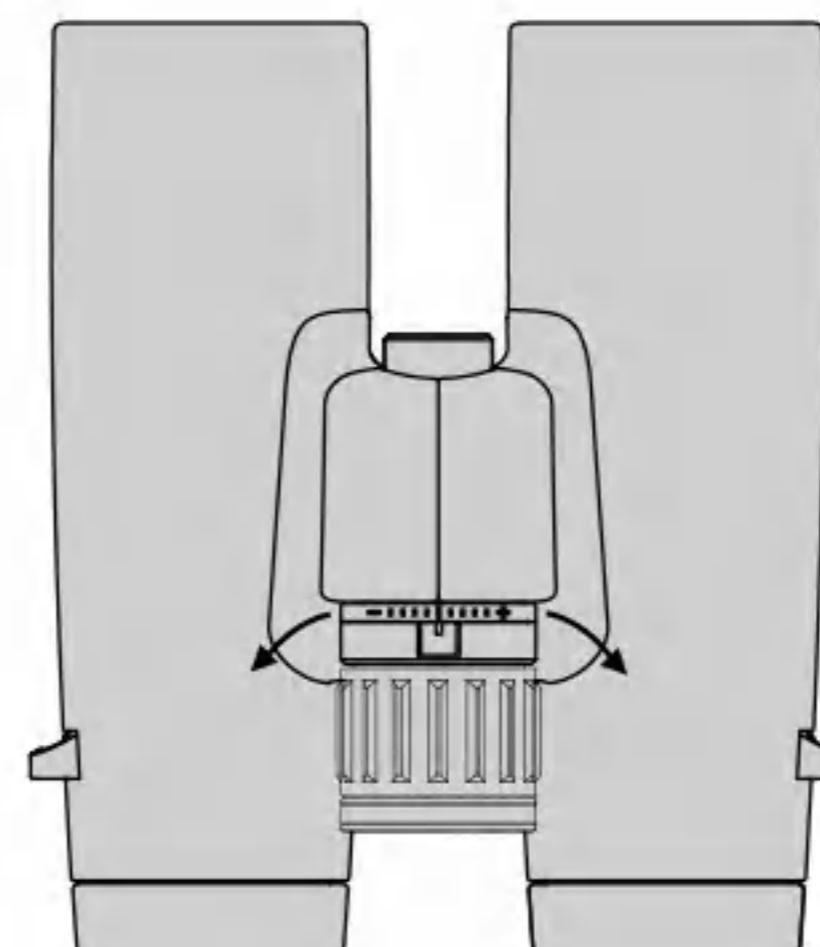
右

中央调焦+中央视度轮结构产品



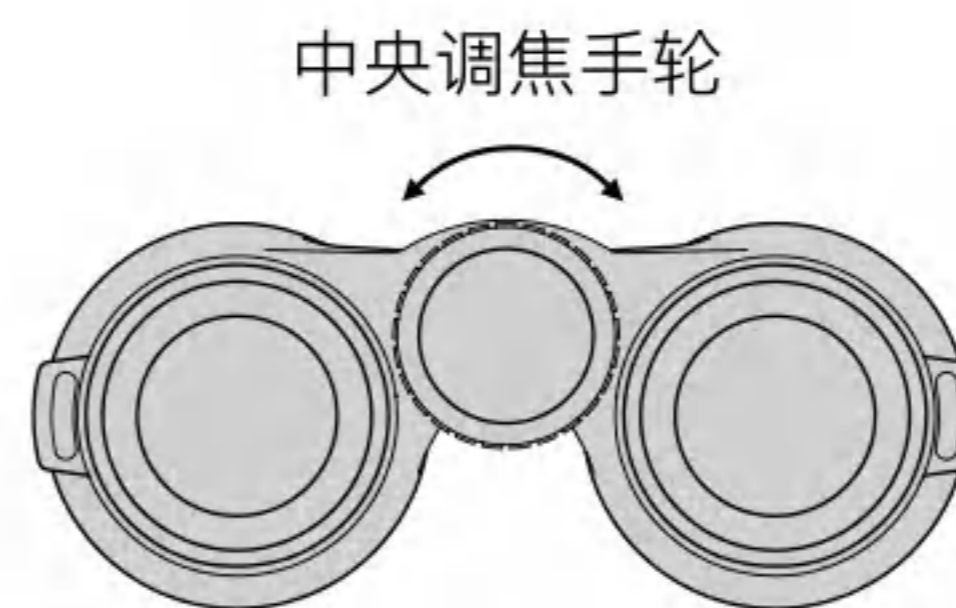
使用左眼观察目标，并旋转调焦手轮，使目标清晰。

左



使用右眼观察同一个目标，并旋转中央视度手轮，使目标清晰（同一人使用，视度手轮调节后无需再次调节，除非视力发生变化）。

视度手轮



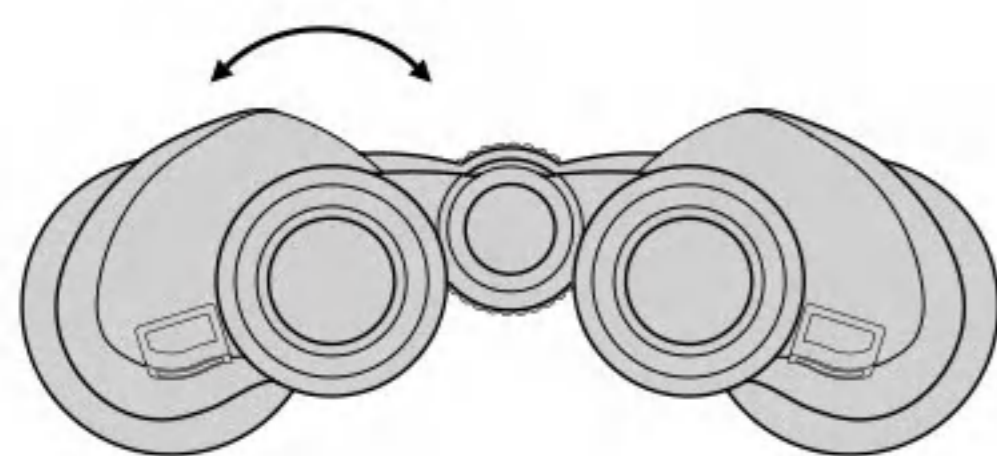
使用双眼观察目标，并旋转调焦手轮，使目标清晰。

左

右

左右目镜调焦结构产品

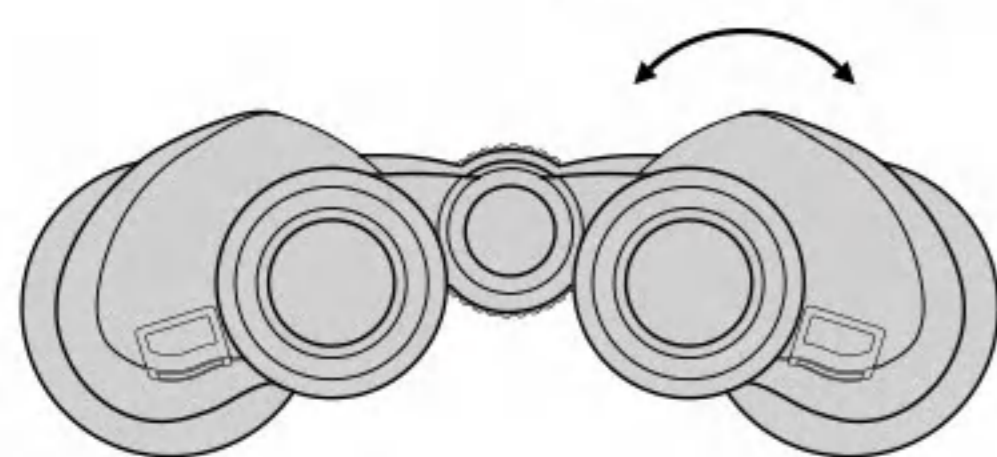
左调焦手轮



左

使用左眼观察目标，并旋转左调焦手轮，使目标清晰。

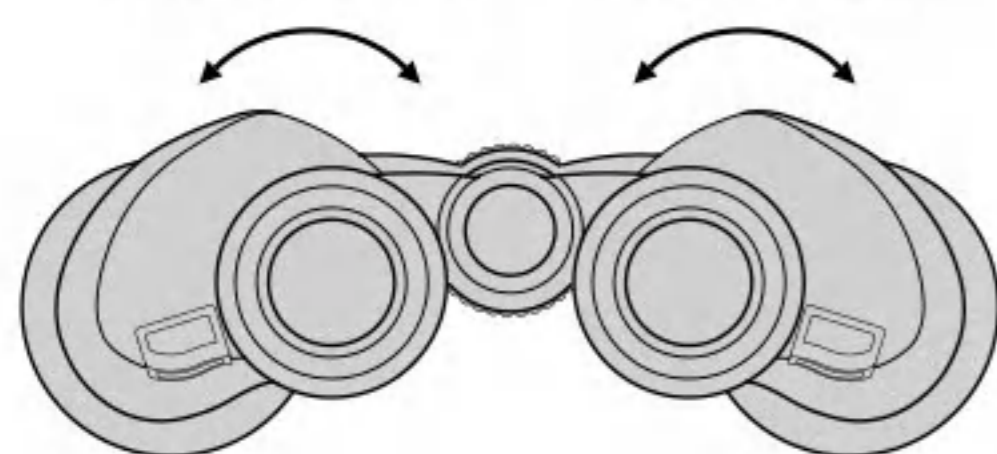
右调焦手轮



右

使用右眼观察同一个目标，并旋转右调焦手轮，使目标清晰。

左调焦手轮 右调焦手轮



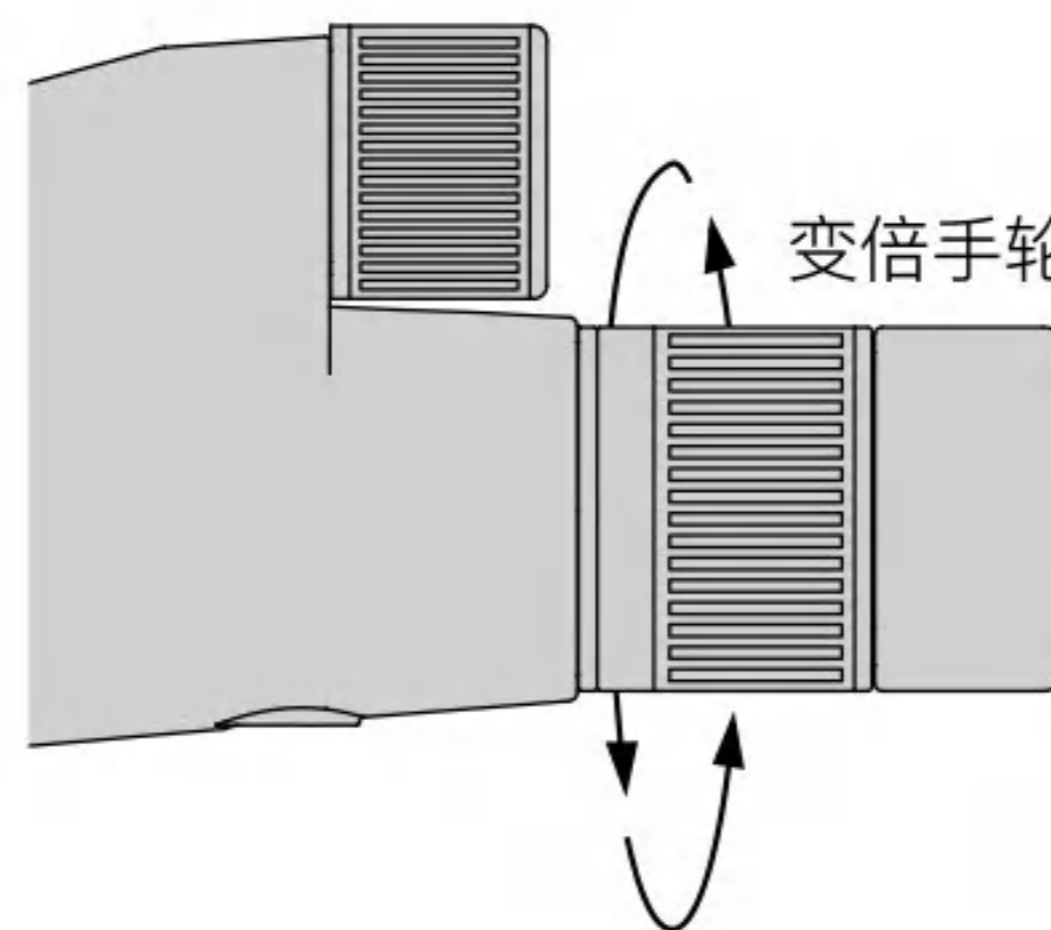
左

右

使用双眼观察个目标，当切换目标时，重复以上两个步骤。

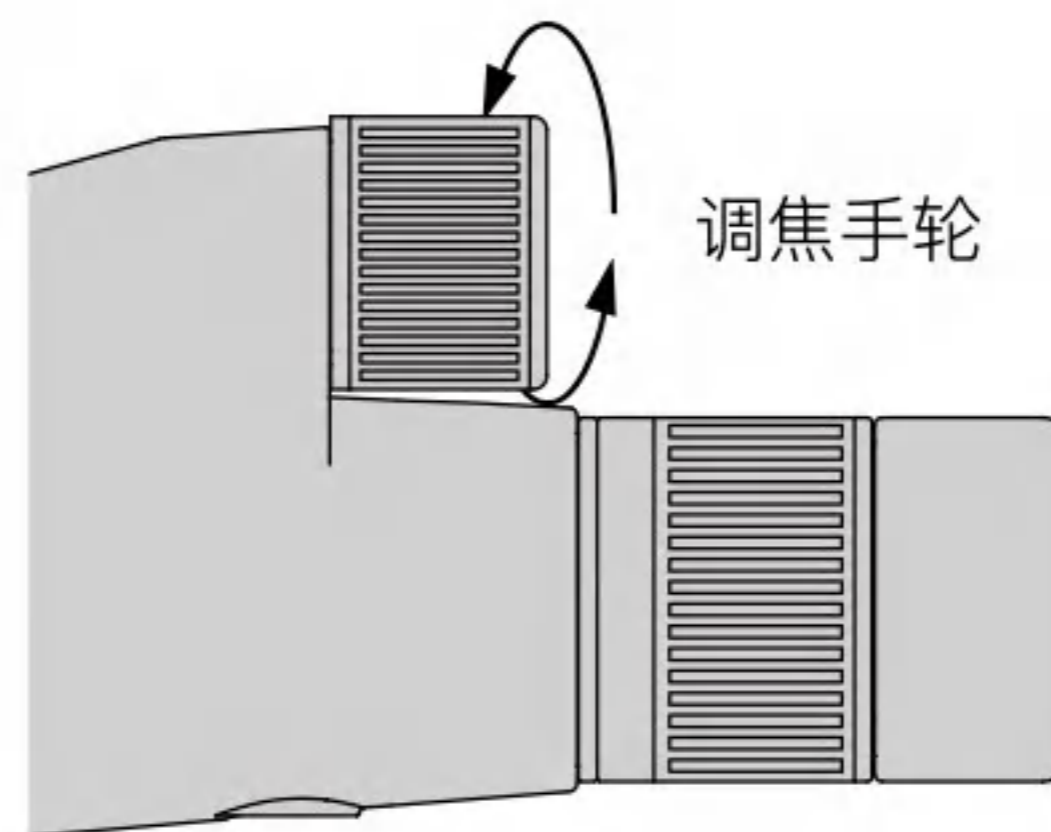
定倍和变倍单筒产品

变倍手轮



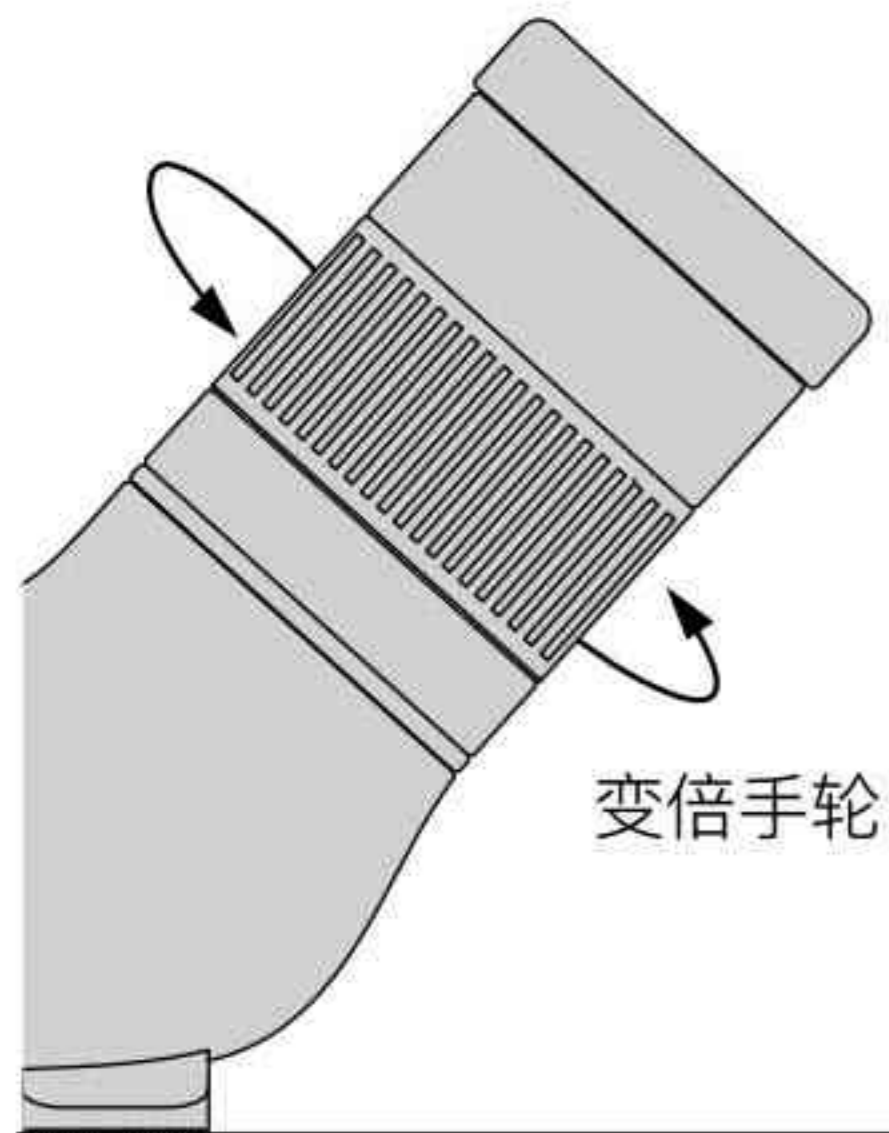
旋转变倍手轮将观察目标调整至所需大小。（定倍款无变倍手轮）。

调焦手轮

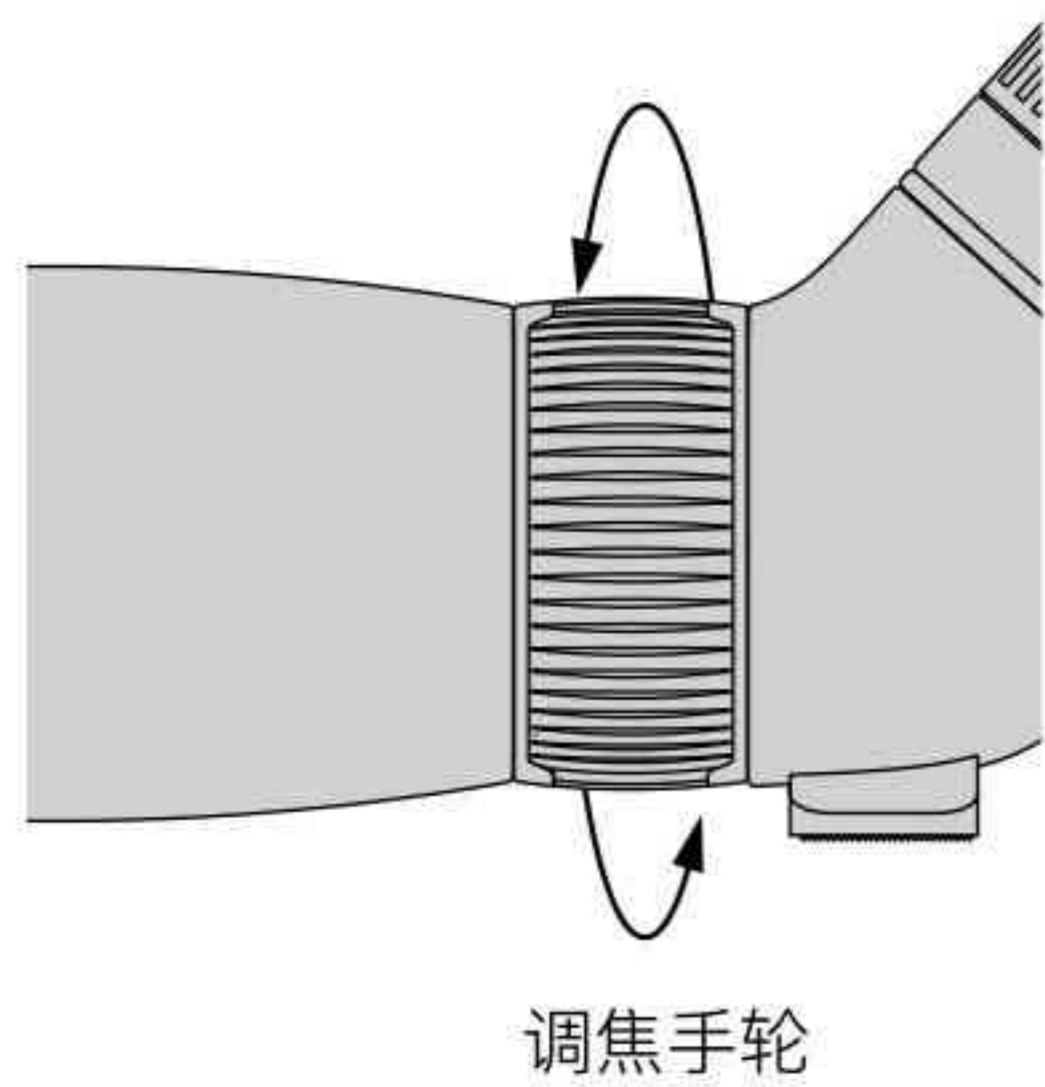


缓慢旋转调焦手轮，使目标清晰。

定倍和变倍观靶镜产品

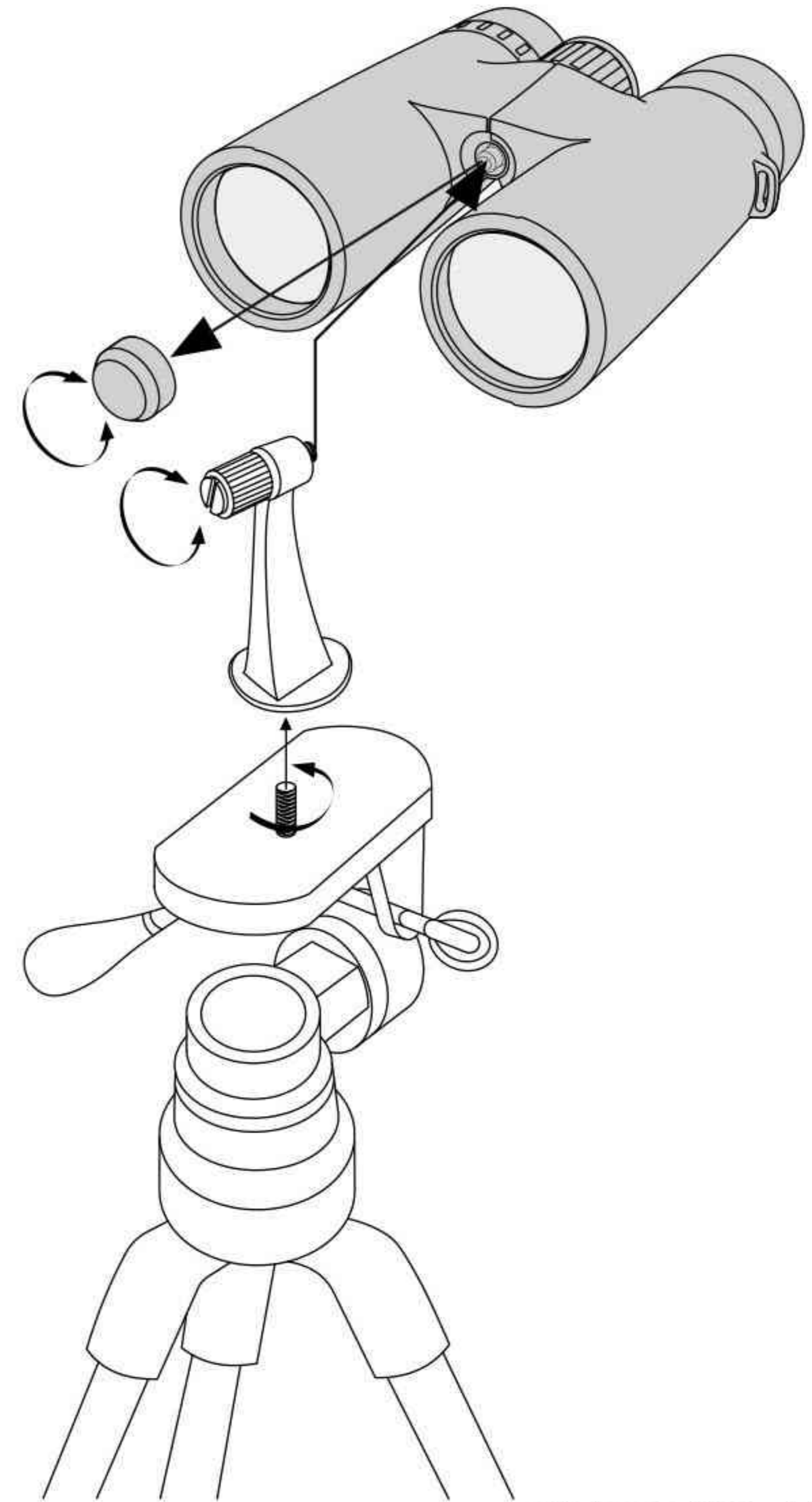


旋转变倍手轮将观察目标调整至所需大小。（定倍款无变倍手轮）。



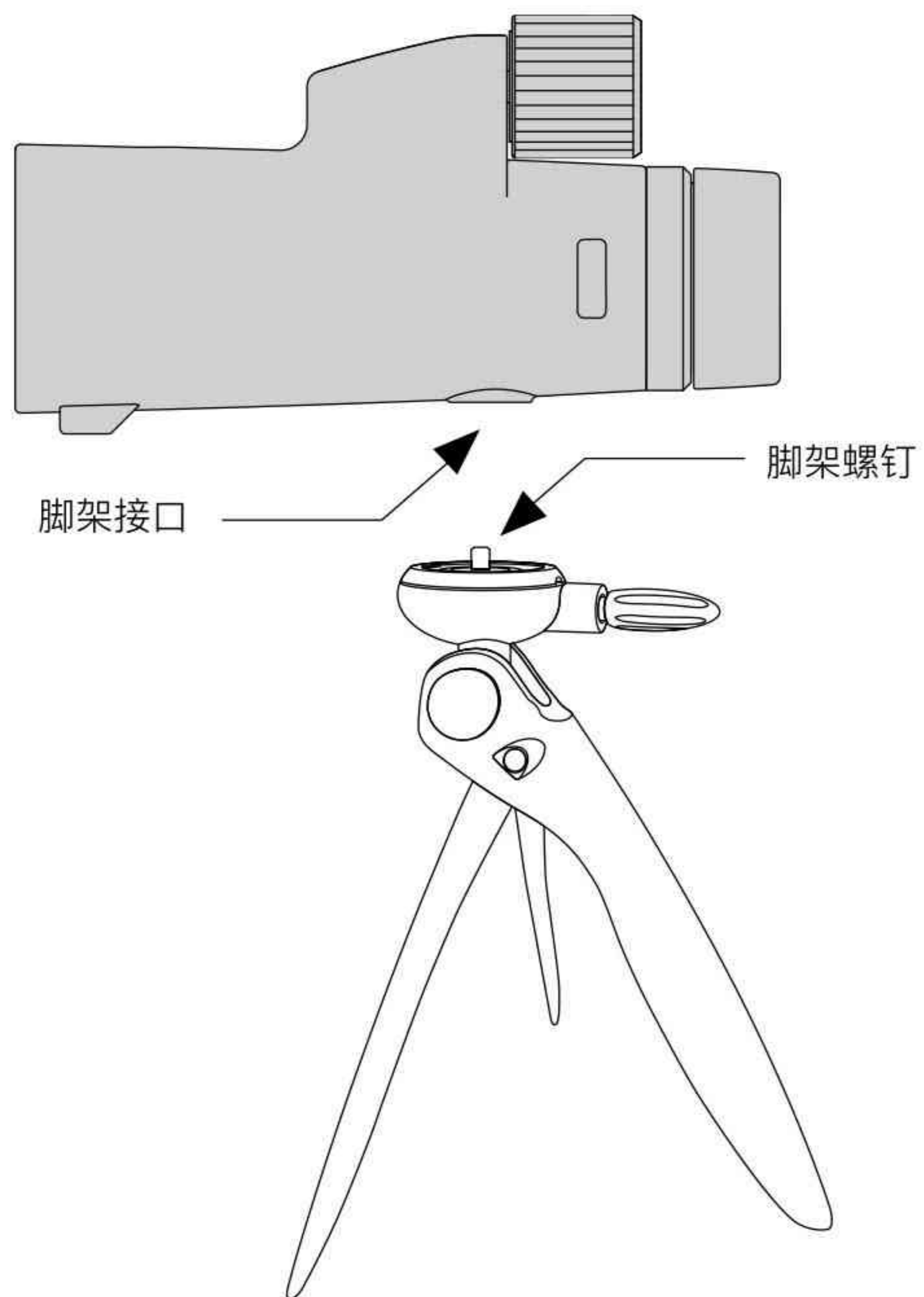
缓慢旋转调焦手轮，使目标清晰。

双筒望远镜脚架连接指南



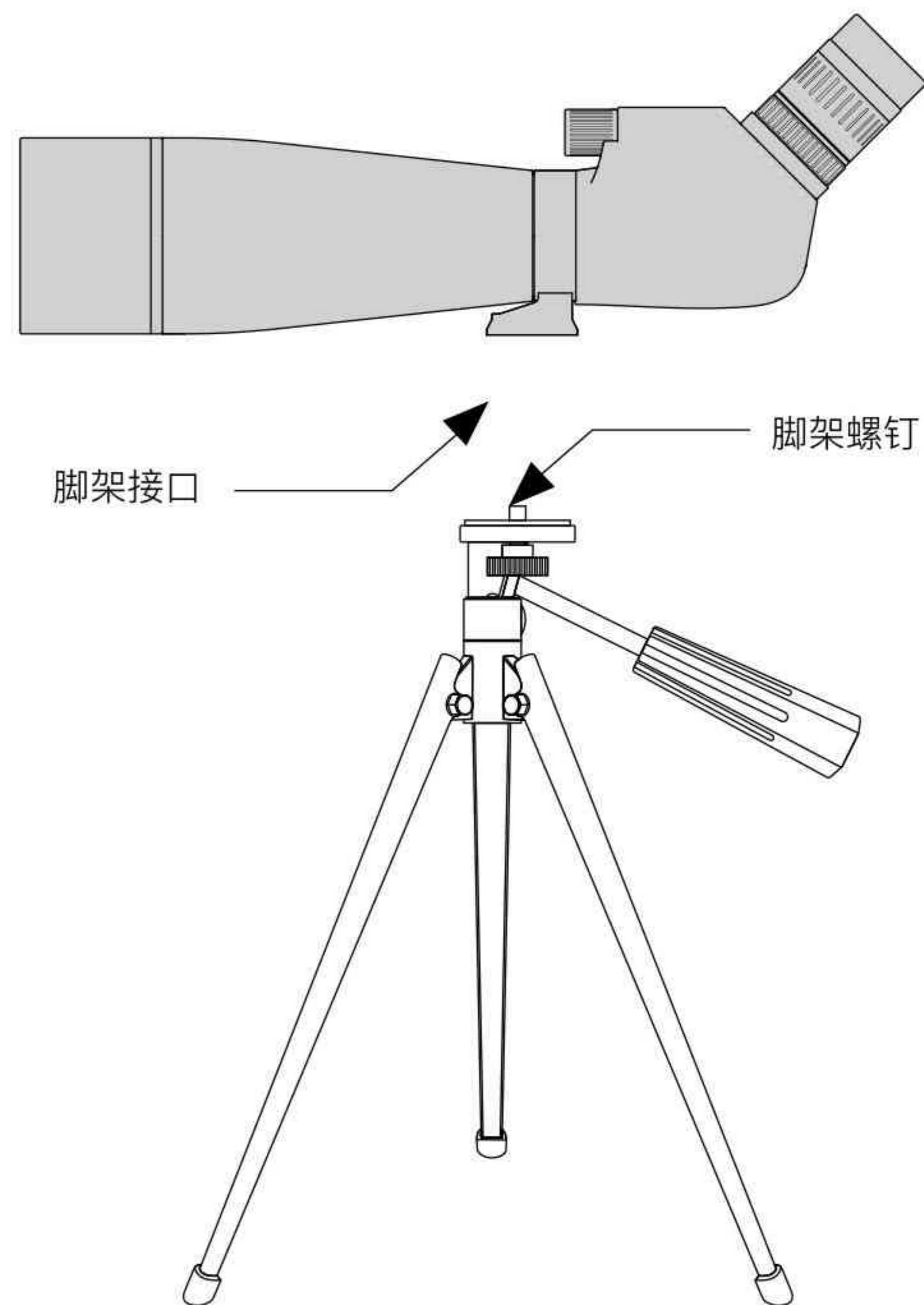
三脚架适配器（非标配）

单筒望远镜脚架连接指南



三脚架适配器 (非标配)

观靶镜脚架连接指南



三脚架适配器 (非标配)

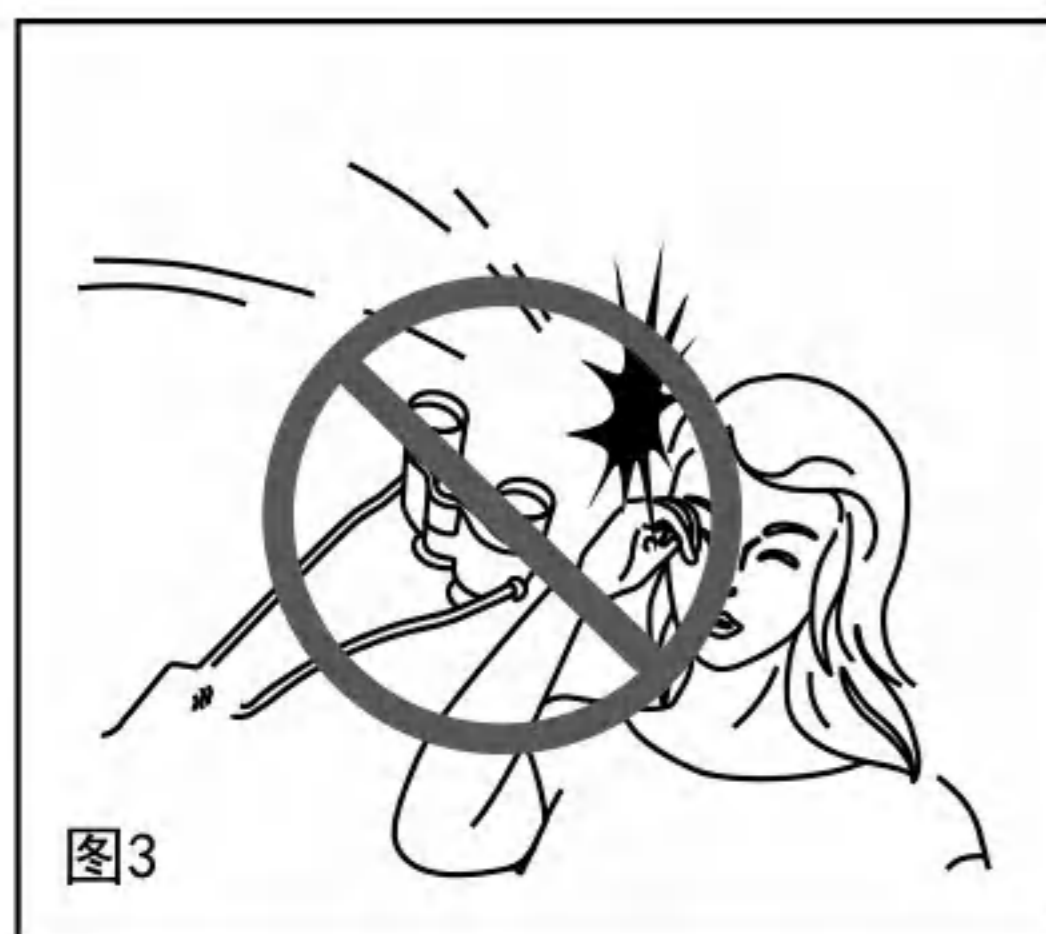
警告



1. 请勿使用本产品直接观测太阳等强烈光源，否则将导致眼睛受到永久性伤害。



2. 请勿在移动过程中使用本产品，此举可能误踏不明物体并造成人体伤害。



3. 请勿握住望远镜带甩动望远镜，此举可能击中他人，并造成人体伤害。



4. 请勿将包装用的塑料袋放在小孩能拿到的地方，小孩可能会将其放入口中，并造成窒息。

适用场景



旅行



观鸟



观景



观演



狩猎



动物



球赛



赛车



观星

常见问题

为什么看了犯晕?

1. 调焦轮视度轮没有调节好, 导致成像不够清晰, 请按照《清晰度操作指南》调节好即可。
2. 出瞳距离没有调节好, 眼睛距离目镜太远或太近。
3. 瞳距没有调节好, 请按照《瞳距操作指南》调节好即可。
4. 初次使用一下子无法适应望远镜的放大倍数, 加上观察时移动望远镜太频繁, 手抖动等原因。建议让眼睛休息一段时间后再观察, 适应 2-3 天后即可正常使用。

为什么看不清楚?

1. 调焦轮或视度轮没有调节好, 导致成像不够清晰, 请按照《清晰度操作指南》调节好即可。
 2. 望远镜观看清晰度与空气质量, 能见度有关, 如阴天、雾霾天等会影响观看效果。
 3. 请确保目镜和物镜洁净无灰尘, 避免隔着玻璃窗户观看。
 4. 瞳距没有调节好, 请按照《瞳距操作指南》调节好即可。
- 如以上问题还未解决, 请联系商家处理。

CATALOG

Attention	27
Storage & Cleaning	28
Products Structure	29-37
- Single Hinge Roof Binoculars	29-30
- Dual Hinge Roof Binoculars	31
- Center Focus Porro Binoculars	32
- Individual Focus Porro Binoculars	33
- Fixed-power Monocular	34
- Zoom Monocular	35
- Fieldscopes & Spotting Scopes	36-38
Neckstrap Attachment	39
Eyecup Adjustment	40
IPD (Interpupillary Distance) Adjustment ----	41
Focus and Diopter Adjustment	42-46
- Binoculars with Center Focus & Right-eye Diopter	42
- Binoculars with Center Focus & Center Diopter	43
- Binoculars with Individual Focus	44
- Monocular	45
- Fieldscopes & Spotting Scopes	46
Tripod Mounting	47-49
Warning	50
Applications	51
FAQ	52
Qualification	
Warranty Card	

Attention

1. When focusing, please do not rotate the focus wheel beyond its limit.
2. Do not expose non-waterproof models to heavy rain or other excessive moisture.
3. Avoid sharp impacts. Use the included neckstrap to avoid accidentally dropping the binoculars to prevent mis-alignment of the optics.
4. Mist may occur on the lens surface when the temperature suddenly changes. In this case, please wipe the lens to be dry as soon as possible.

Storage & Cleaning

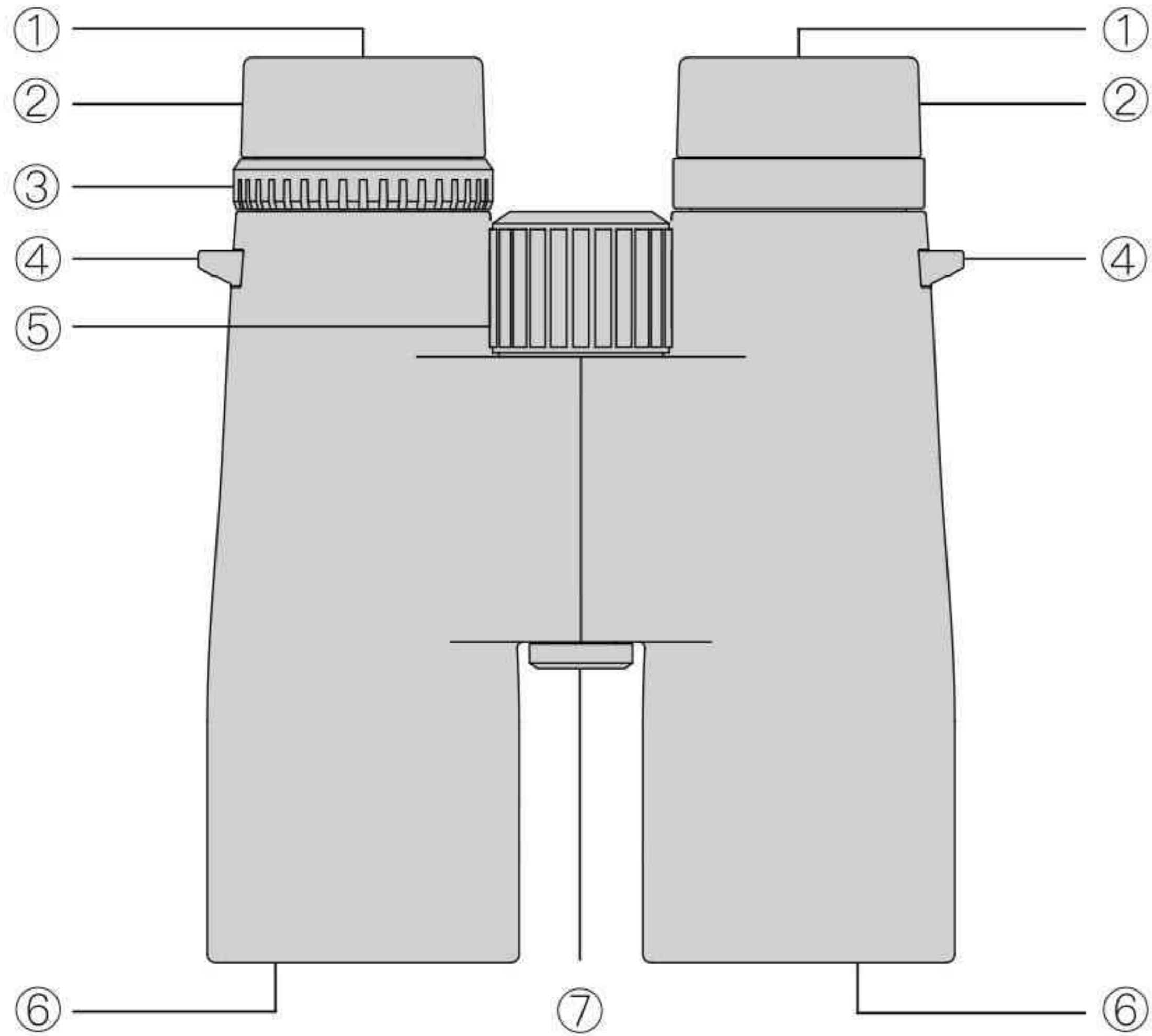
Storage:

1. Store your telescopes in a cool, dry place whenever possible. Dry it first if your telescopes are wet.
2. Avoid storing the telescopes in hot places, such as the passenger compartment of a vehicle on a hot day. The high temperature could adversely affect the lubricants and sealants.
3. Prevent it from erosion of rain, splash, gravel, or slurry. It is important to wipe water stains as soon as possible to keep them dry, even for waterproof telescopes.

Cleaning:

1. Blow away any dust or debris on the lens (or use a soft lens brush).
2. To remove fingerprints or other smears, clean with a soft cotton cloth rubbing in a circular motion. A "microfiber" cleaning cloth (available from camera or computer retailers) is ideal for the routine cleaning of your optics.
3. For a more thorough cleaning, photographic lens tissue and photographic-type lens cleaning fluid or isopropyl alcohol may be used. Always apply the fluid to the cleaning cloth – never directly on the lens.

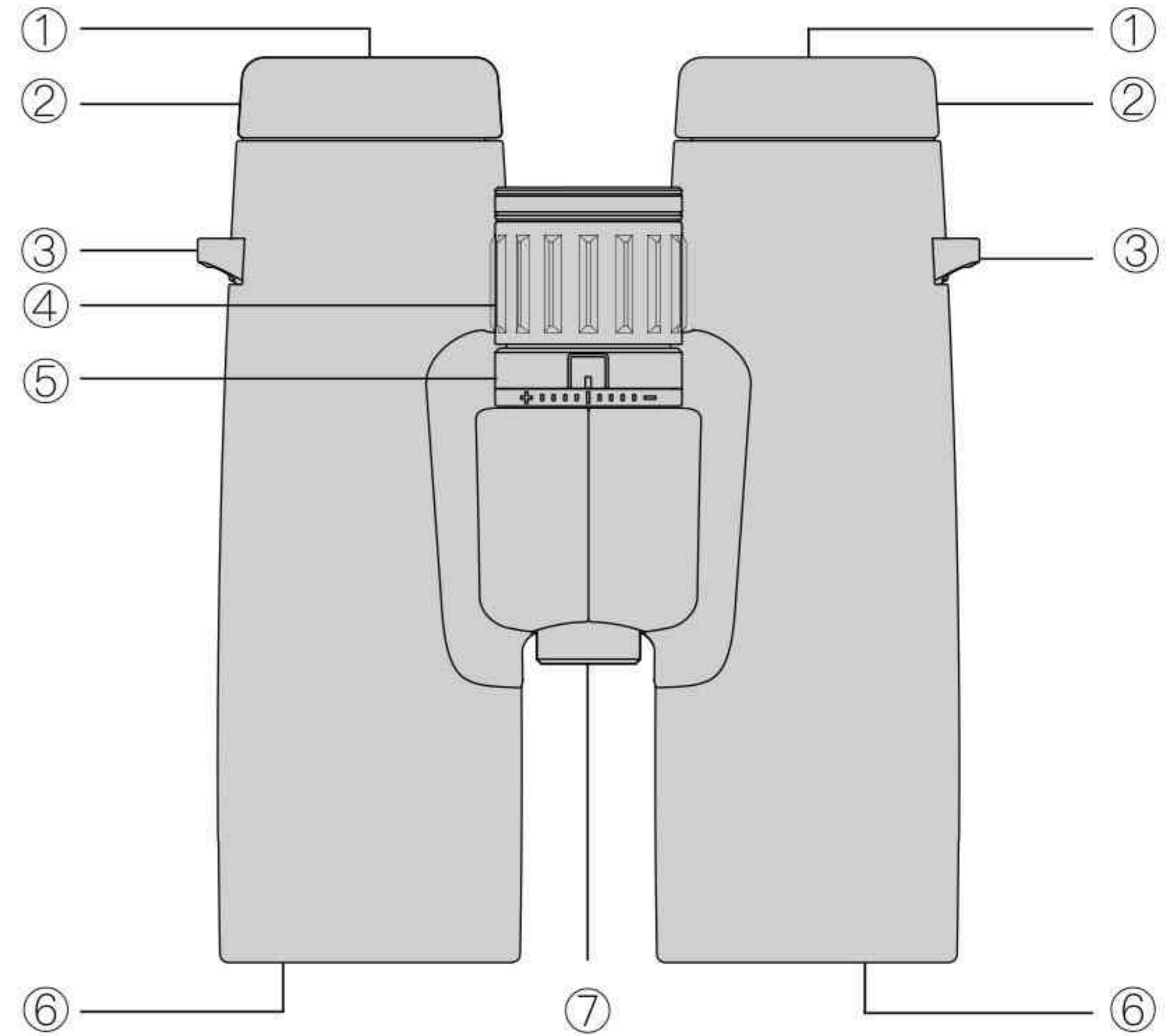
Single Hinge Roof Binoculars



(with Right-eye Diopter)

- ① Eyepiece ② Eyecup ③ Diopter Ring ④ Strap Lug
- ⑤ Focus Wheel ⑥ Obj. Lens ⑦ Tripod Interface

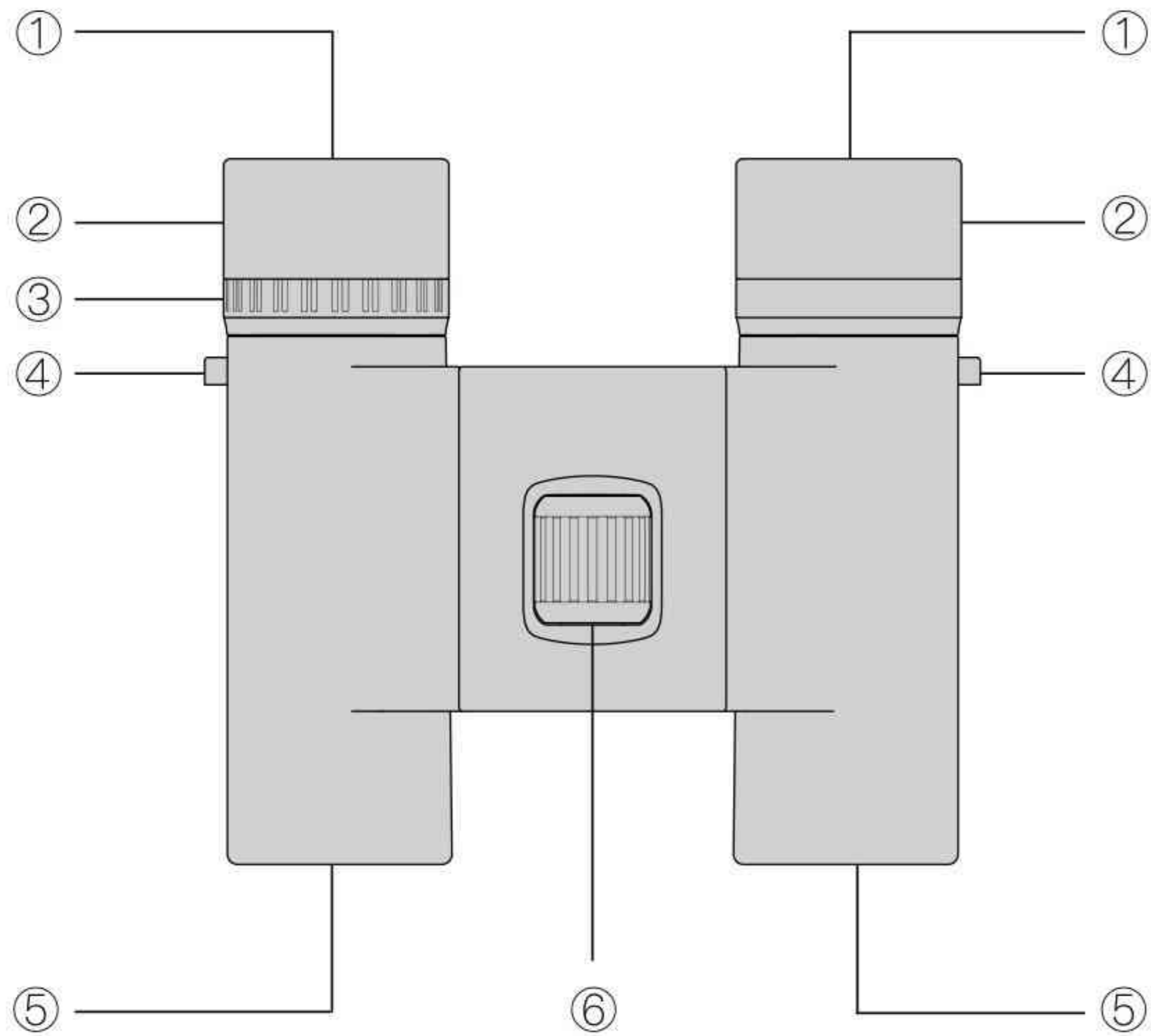
Single Hinge Roof Binoculars



(with Center Diopter)

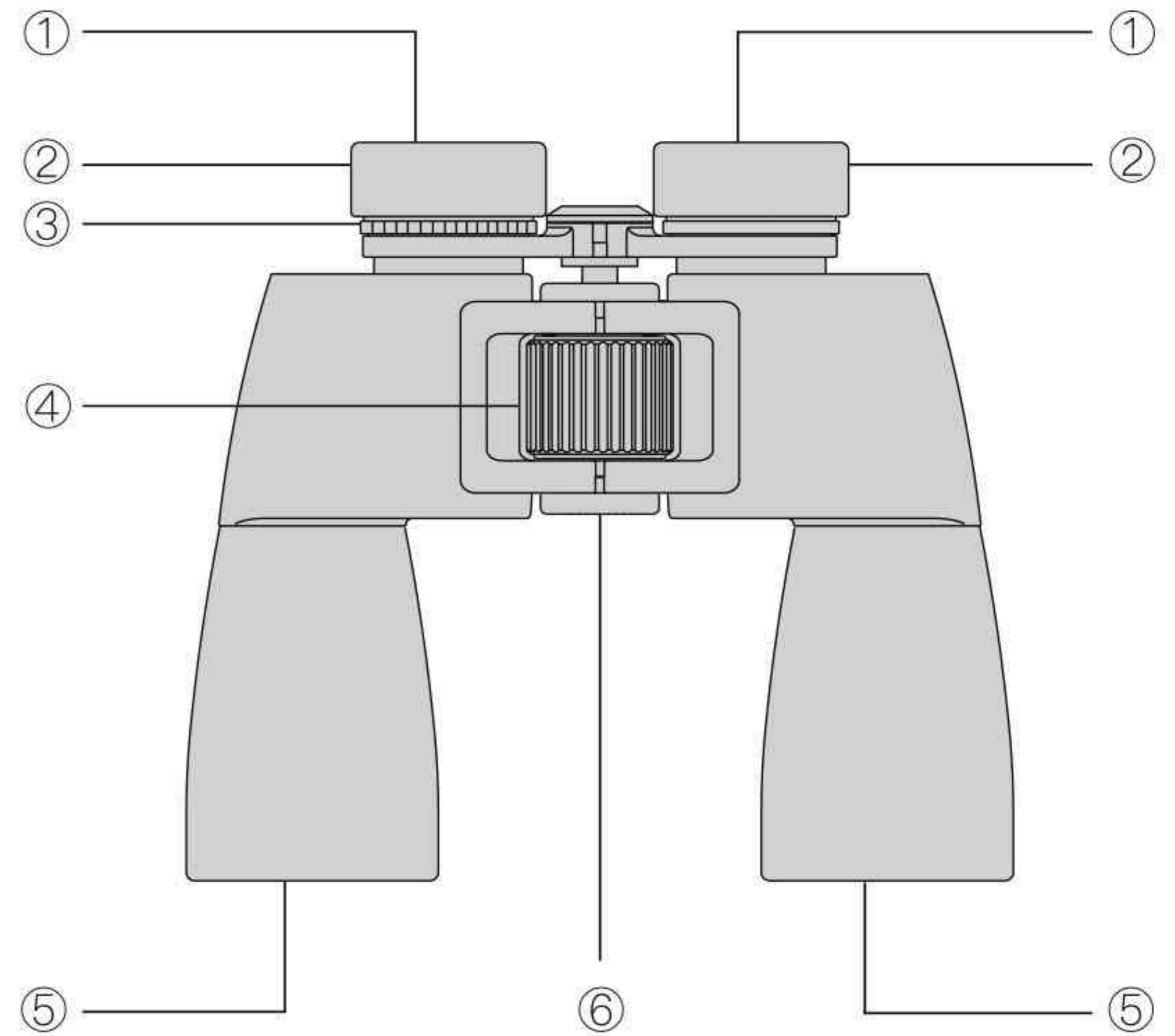
- ① Eyepiece ② Eyecup ③ Strap Lug ④ Focus Wheel
- ⑤ Diopter Ring ⑥ Obj. Lens ⑦ Tripod Interface

Dual Hinge Roof Binoculars



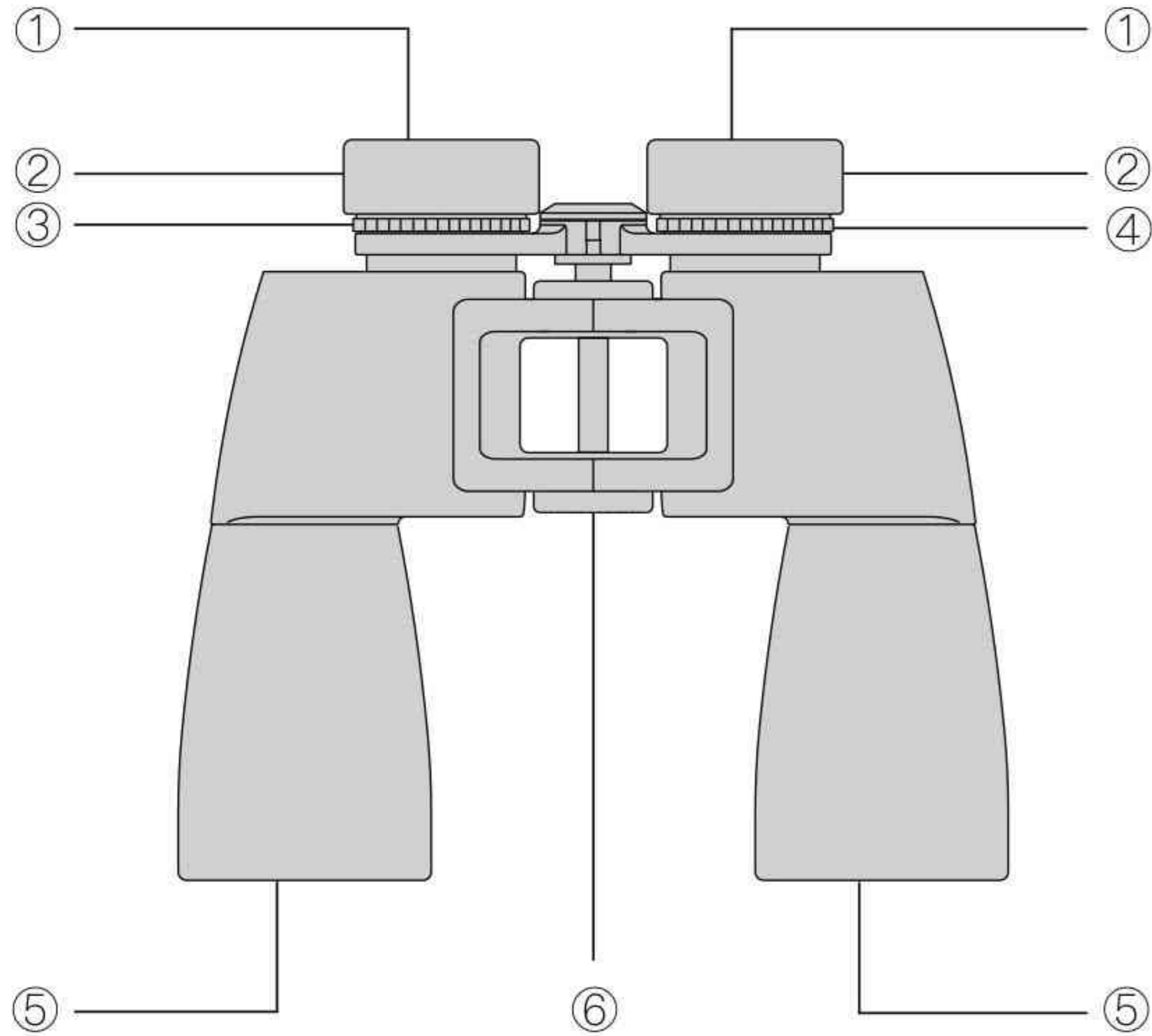
- ① Eyepiece ② Eyecup ③ Diopter Ring ④ Strap Lug
⑤ Obj. Lens ⑥ Focus Wheel

Center Focus Porro Binoculars



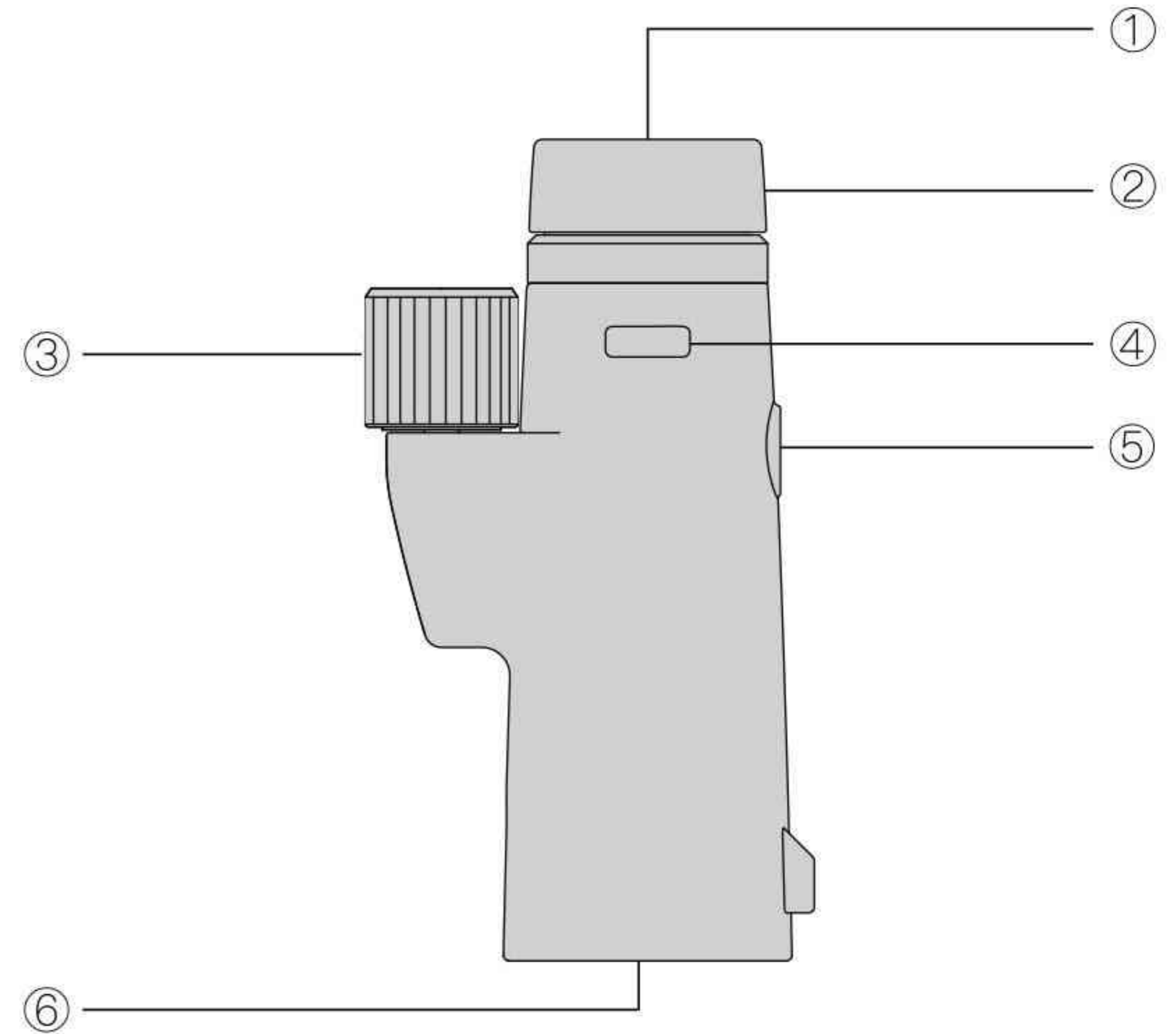
- ① Eyepiece ② Eyecup ③ Diopter Ring ④ Focus Wheel
⑤ Obj. Lens ⑥ Tripod Interface

Individual Focus Porro Binoculars



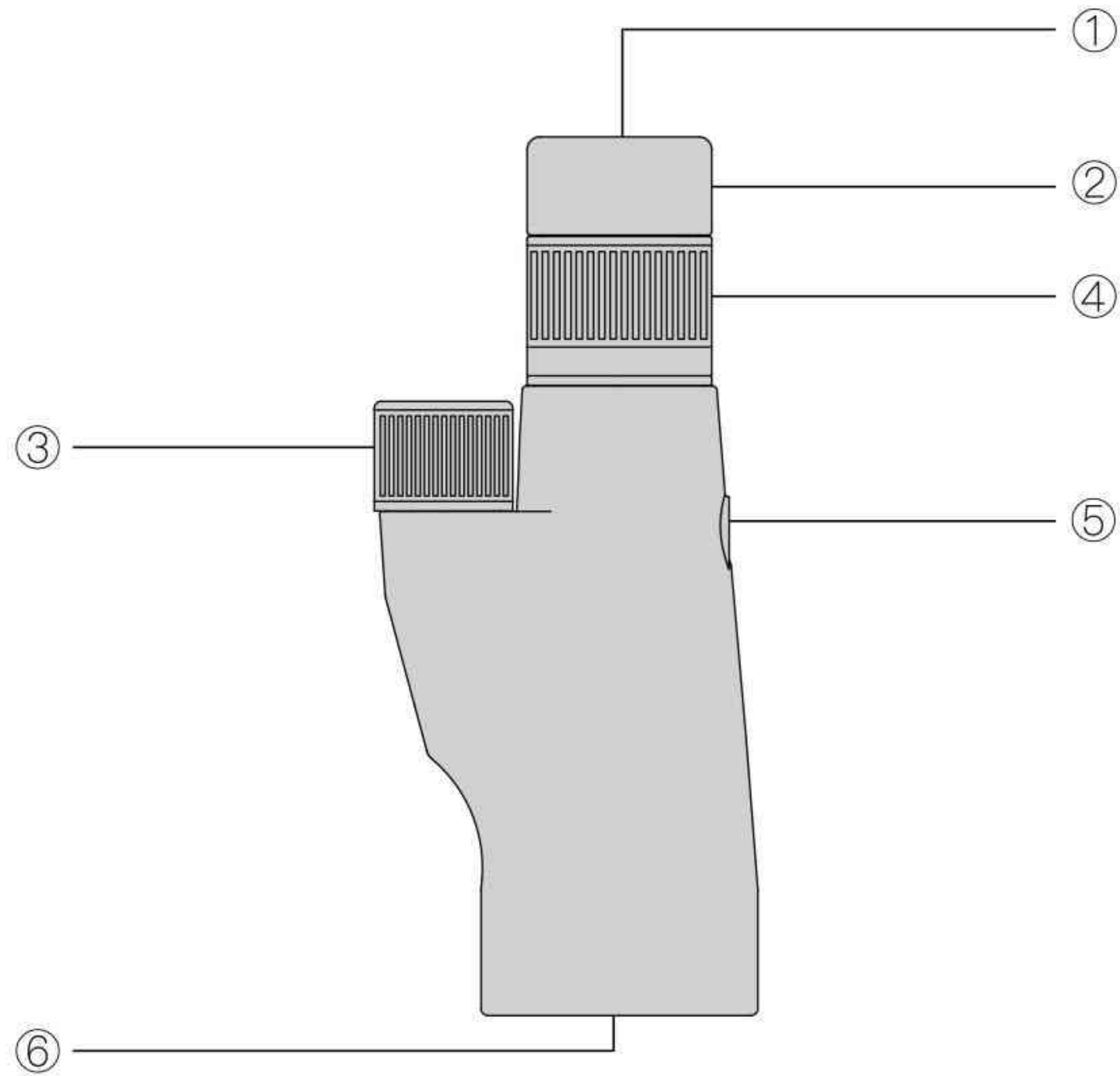
- ① Eyepiece ② Eyecup ③ Right Focus Wheel
- ④ Left Focus Wheel ⑤ Obj. Lens ⑥ Tripod Interface

Fixed-power Monocular



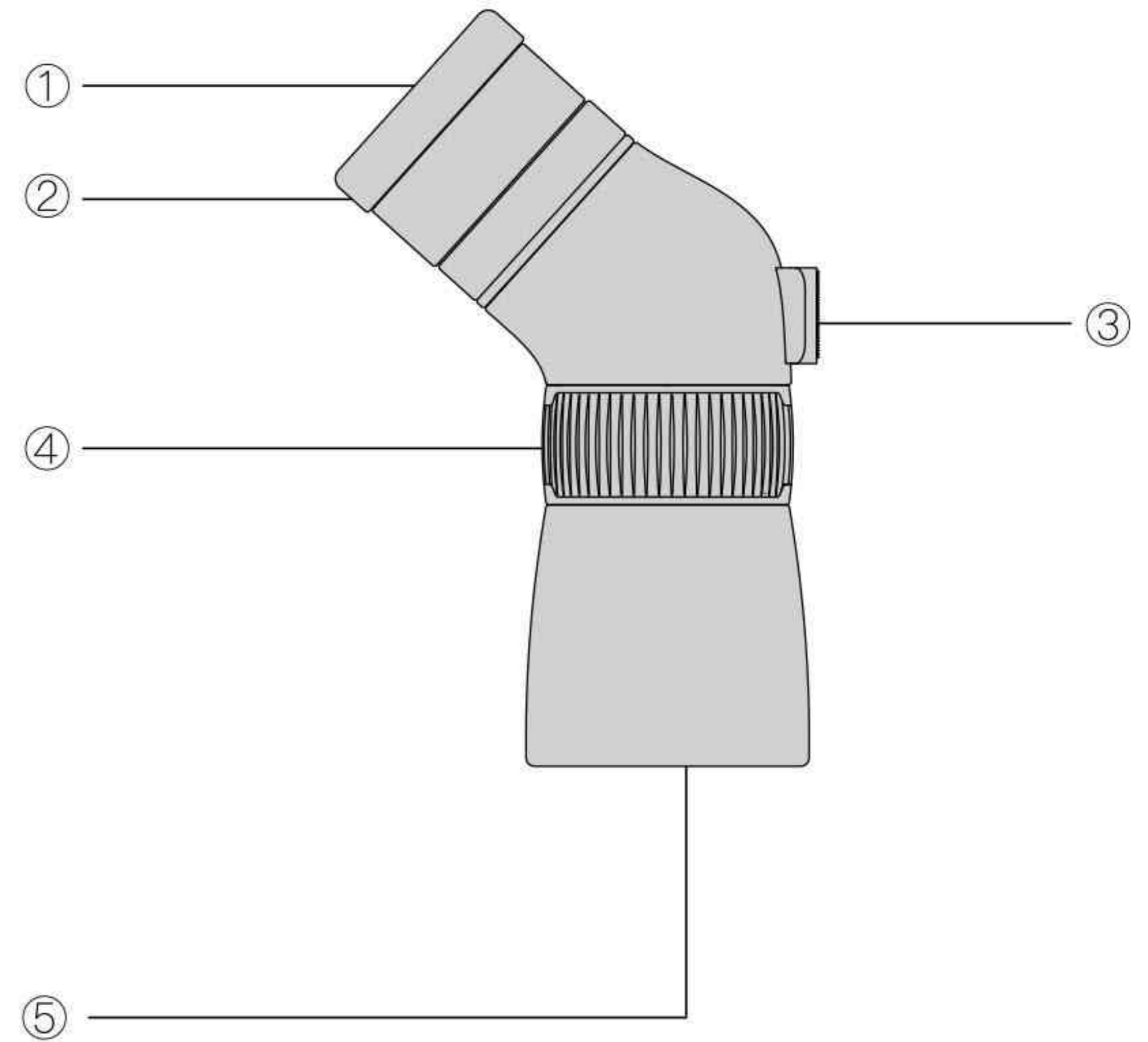
- ① Eyepiece ② Eyecup ③ Focus Wheel
- ④ Strap Lug ⑤ Tripod Interface ⑥ Obj. Lens

Zoom Monocular



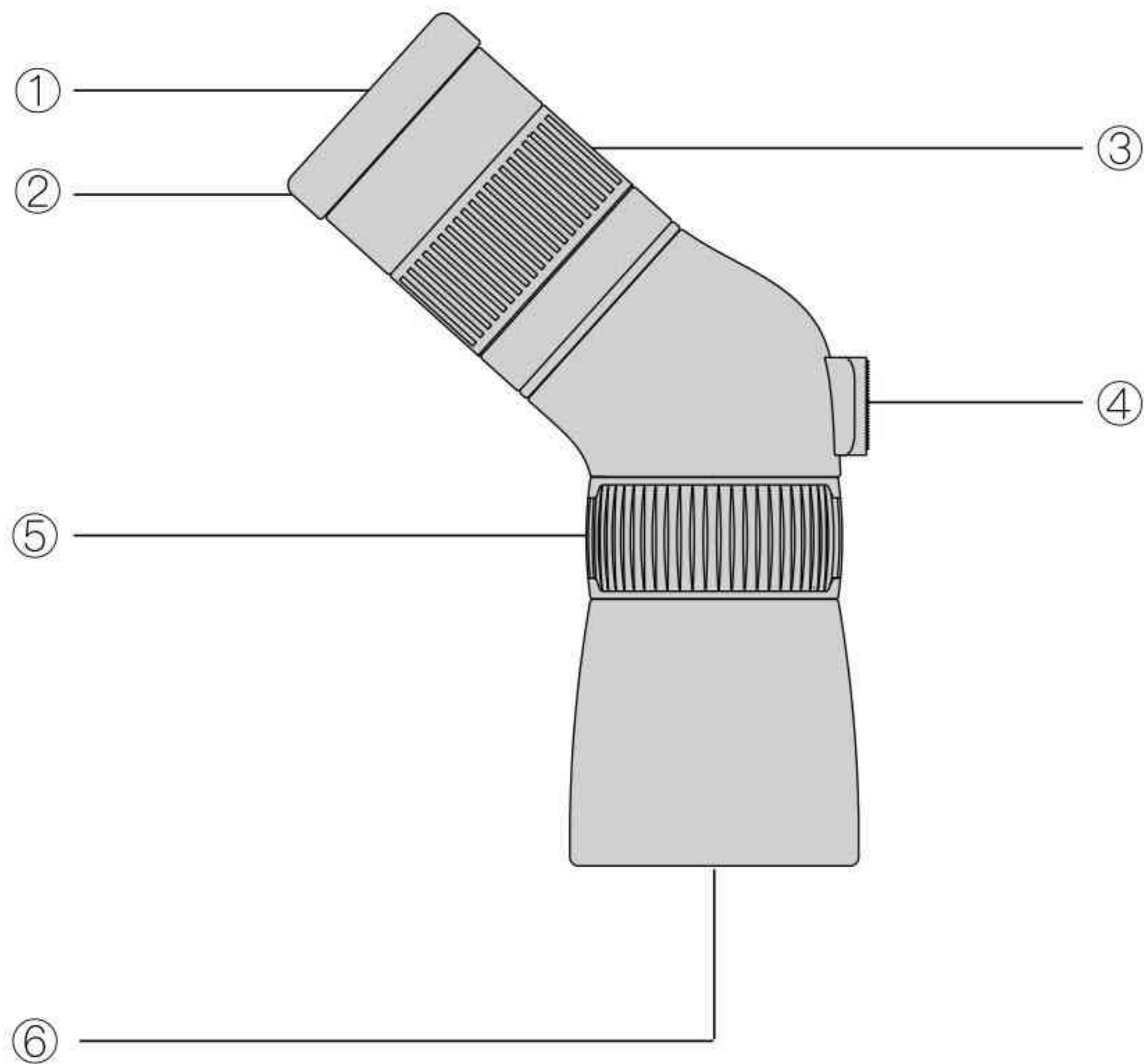
- ① Eyepiece ② Eyecup ③ Focus Wheel
④ Zoom Wheel ⑤ Tripod Interface ⑥ Obj. Lens

Fixed-power Fieldscopes



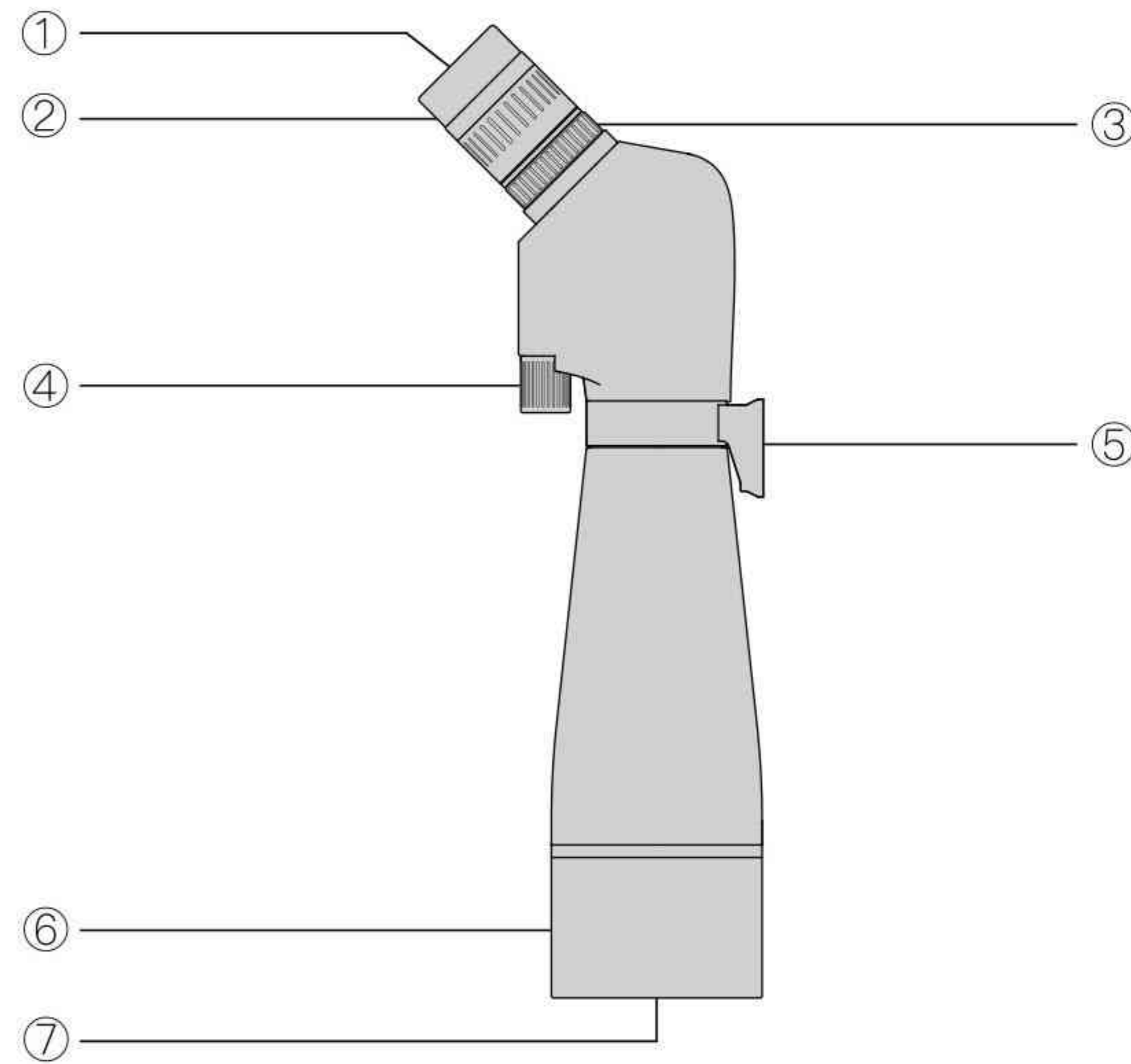
- ① Eyepiece ② Eyecup ③ Tripod Base
④ Focus Wheel ⑤ Obj. Lens

Fieldsopes & Spotting Scopes



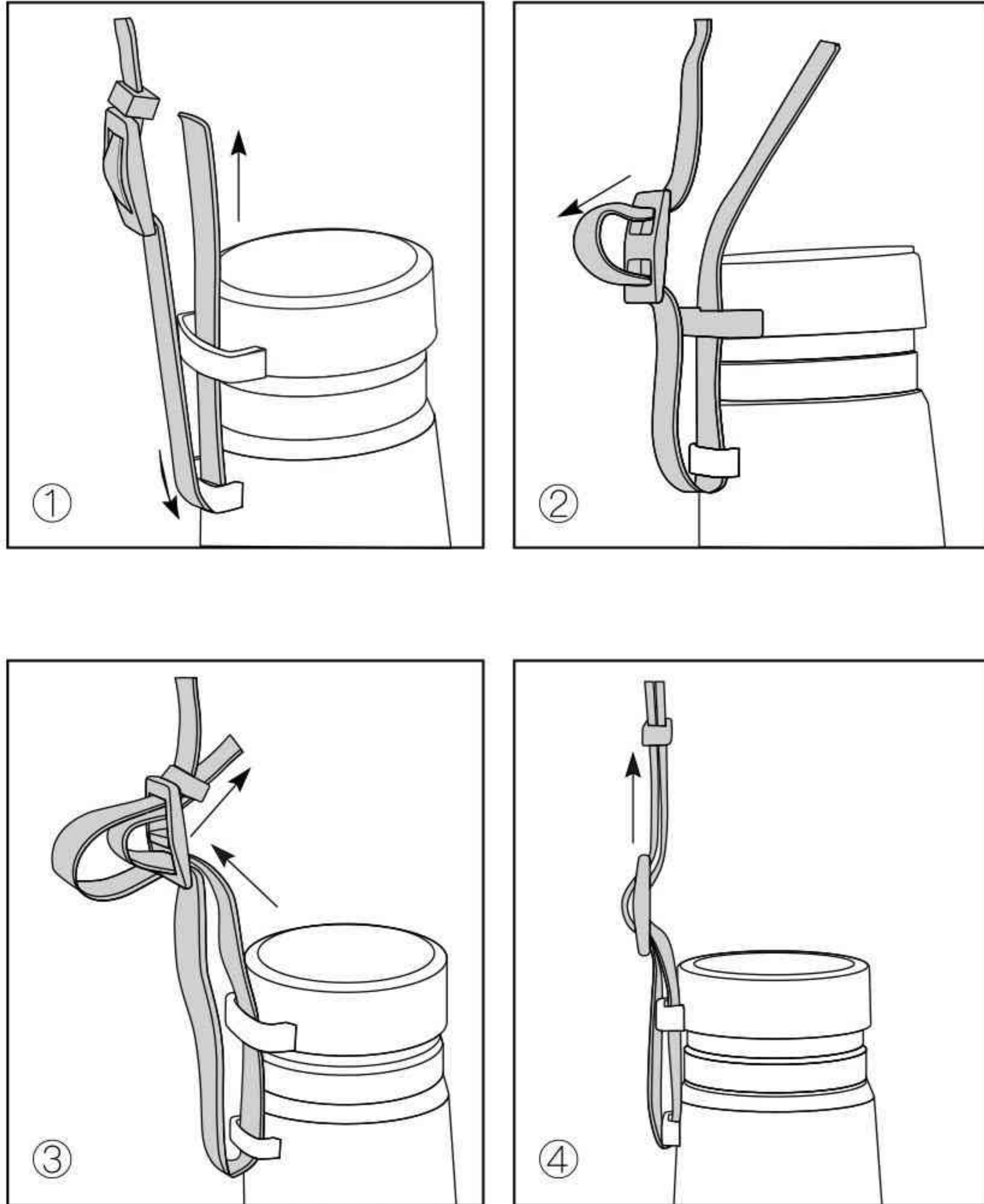
- ① Eyepiece ② Eyecup ③ Zoom Wheel
- ④ Tripod Base ⑤ Focus Wheel ⑥ Obj. Lens

Fieldsopes & Spotting Scopes

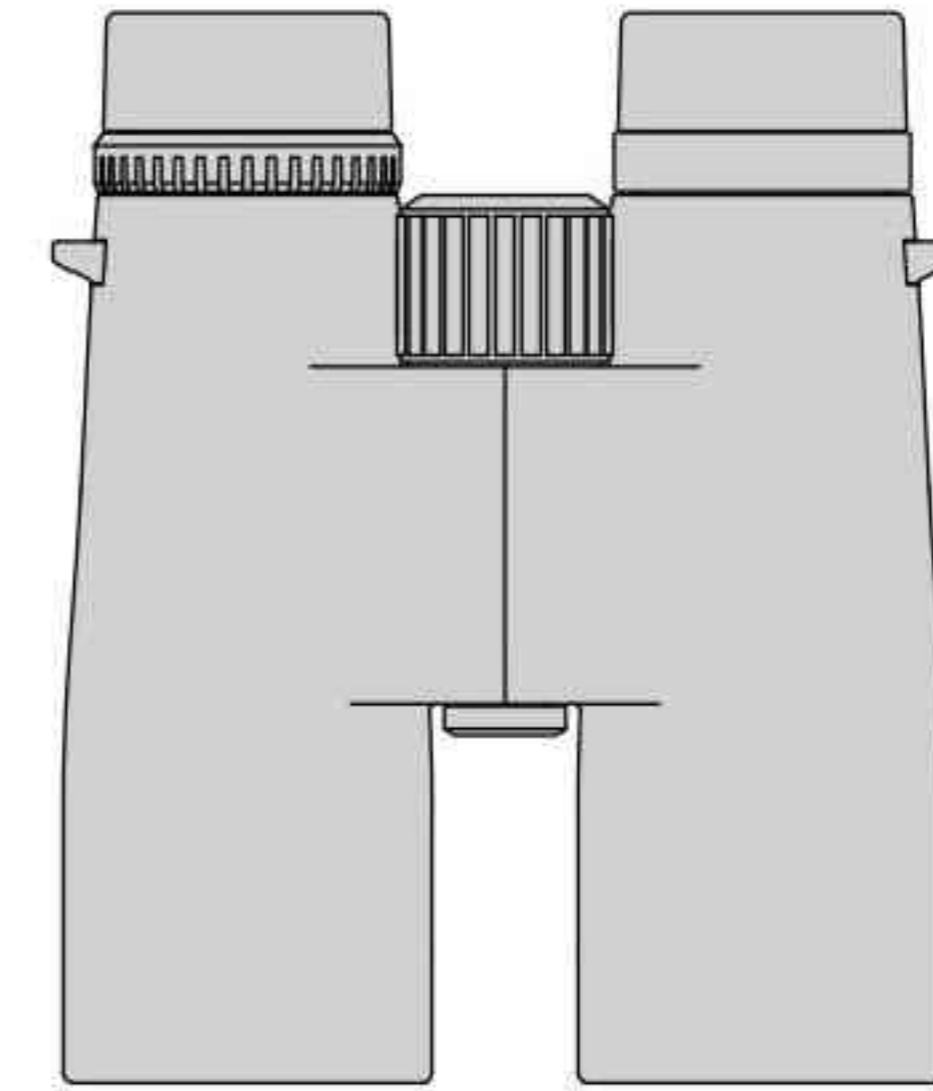


- ① Eyepiece ② Eyecup ③ Zoom Wheel
- ④ Focus Wheel ⑤ Tripod Base ⑥ Sunshades
- ⑦ Obj. Lens

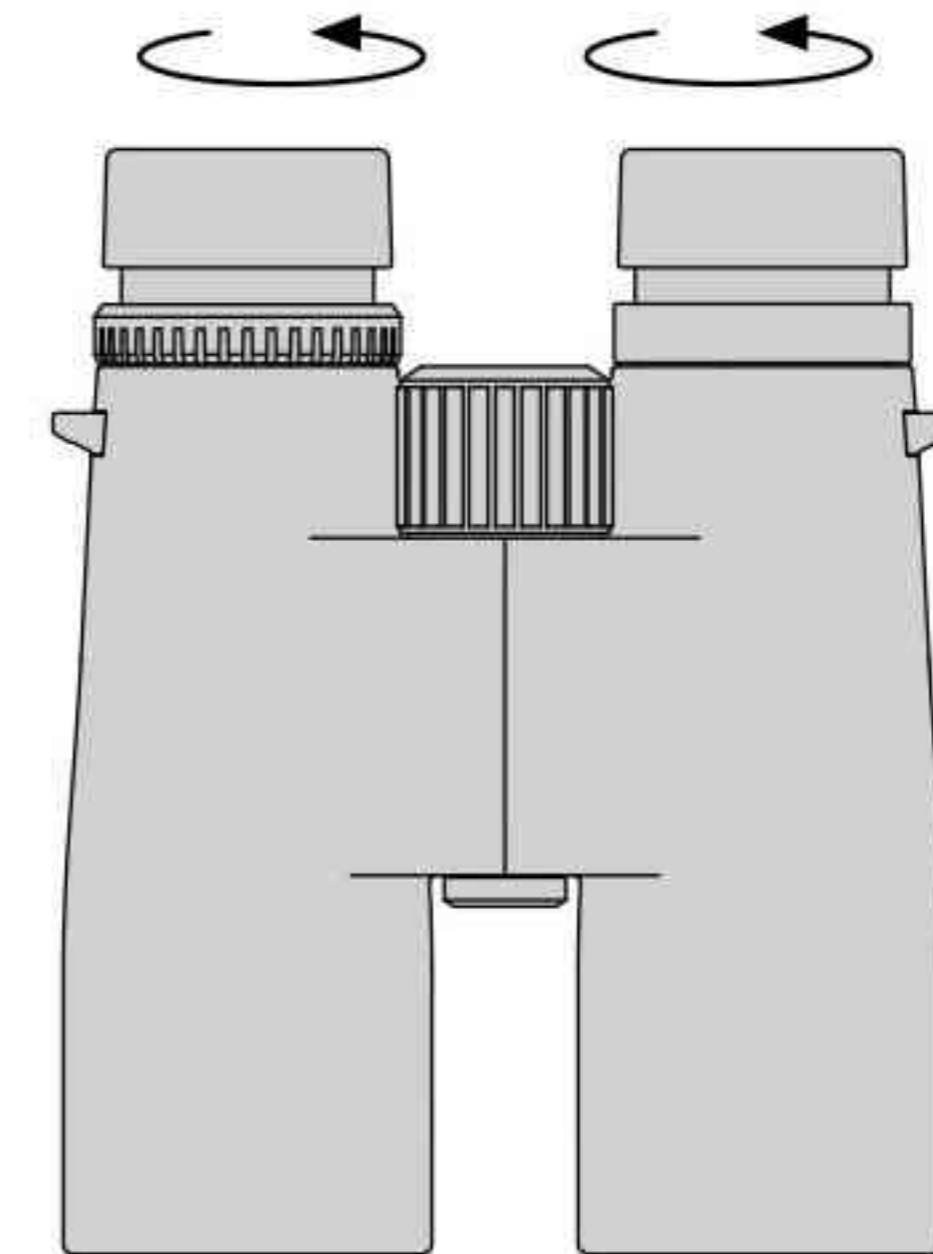
Neckstrap Attachment



Eyecup Adjustment

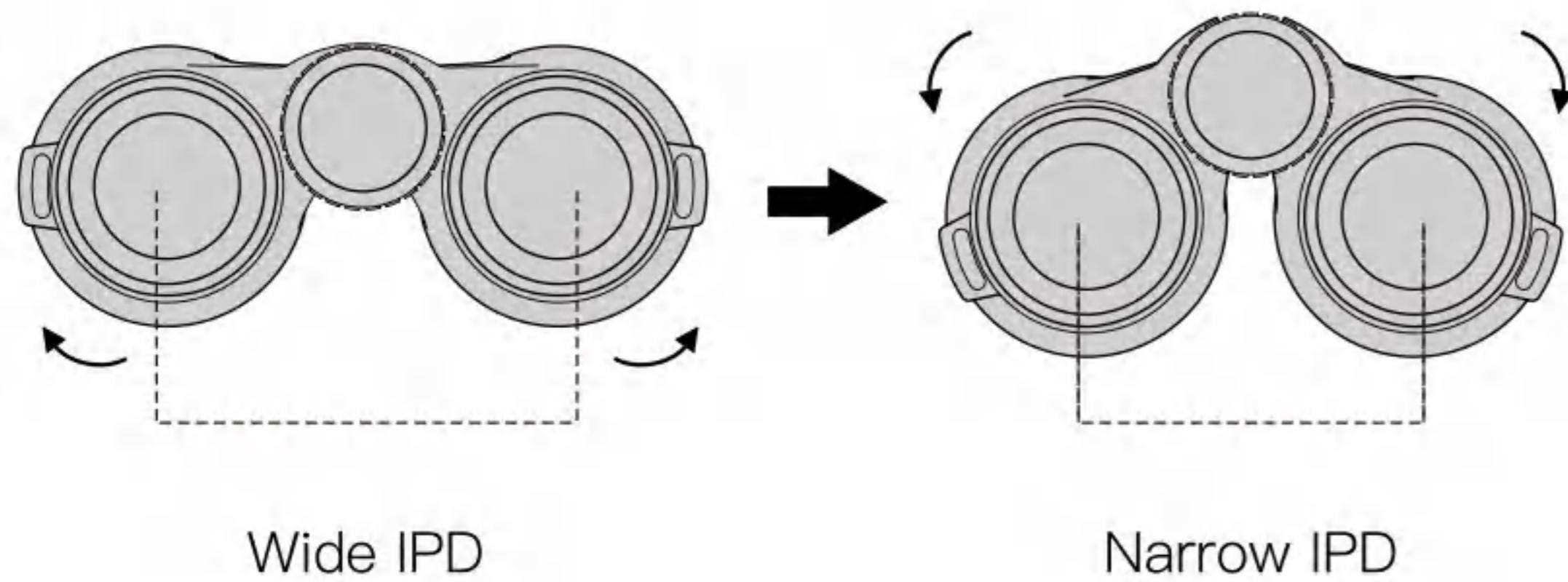


Eyecups in "Down" Position
(for use with eyeglasses)

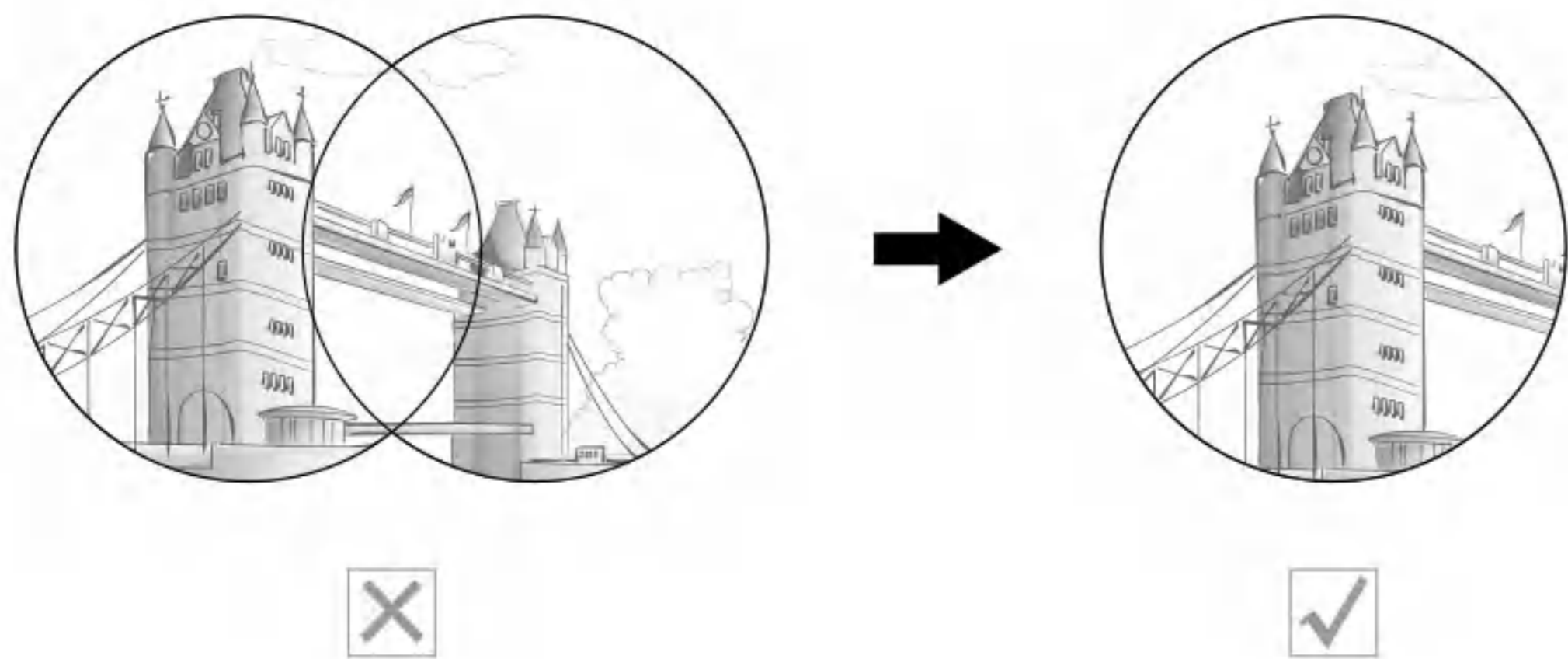


Eyecups in "Up" Position
(for use without eyeglasses)

IPD (Interpupillary Distance) Adjustment

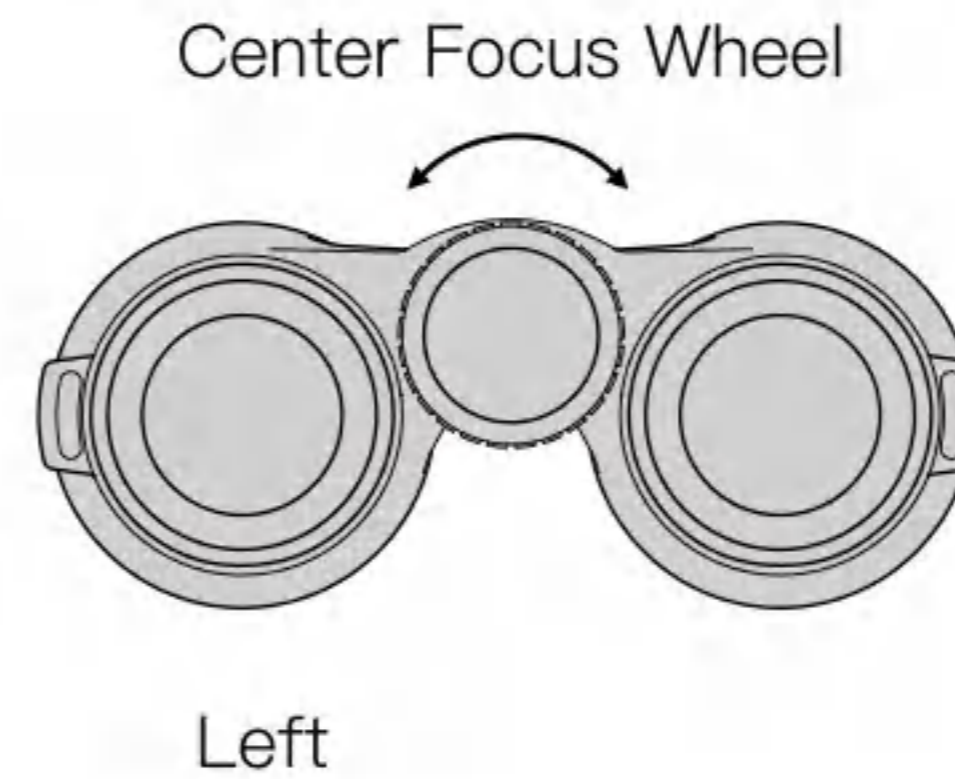


Adjusting the Interpupillary Distance Accordingly.

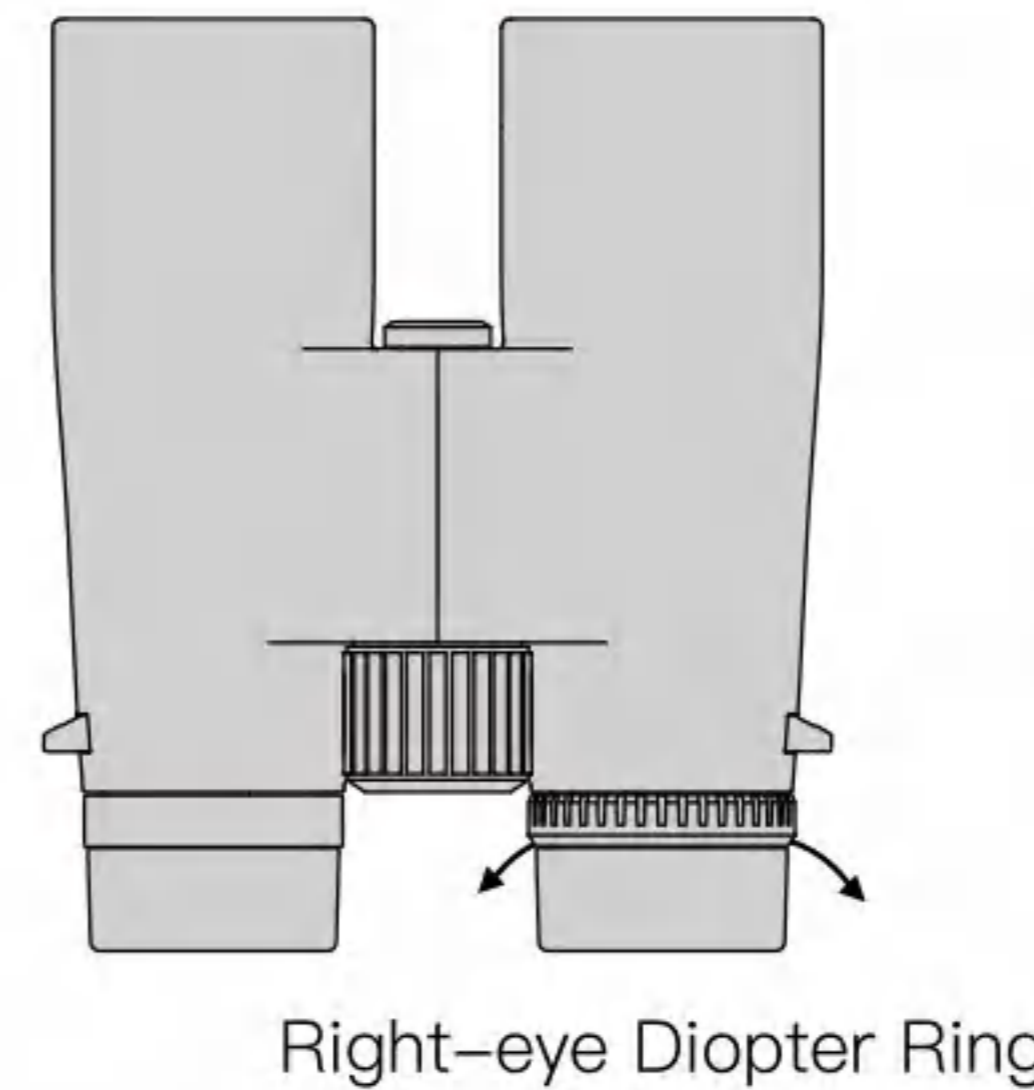


Adjusting IPD for best optical experience, you should see a single image with no shaded areas

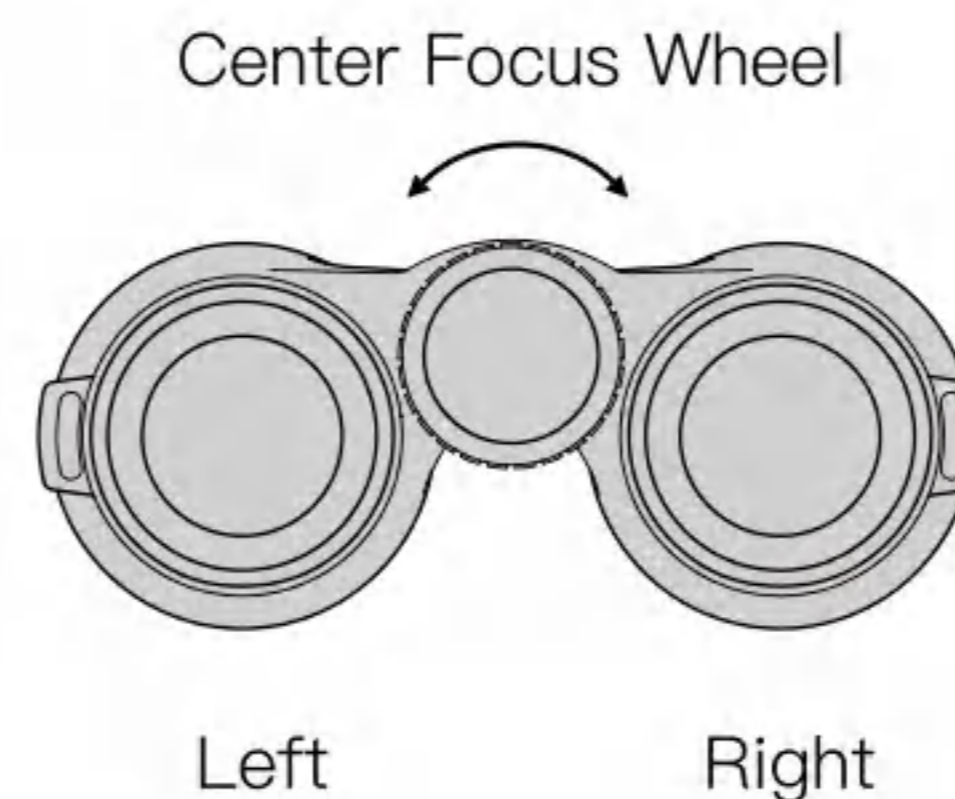
Binoculars with Center Focus & Right-eye Diopter



View a distant object with your left eye only, and then adjust the center focus wheel to get a clear image.



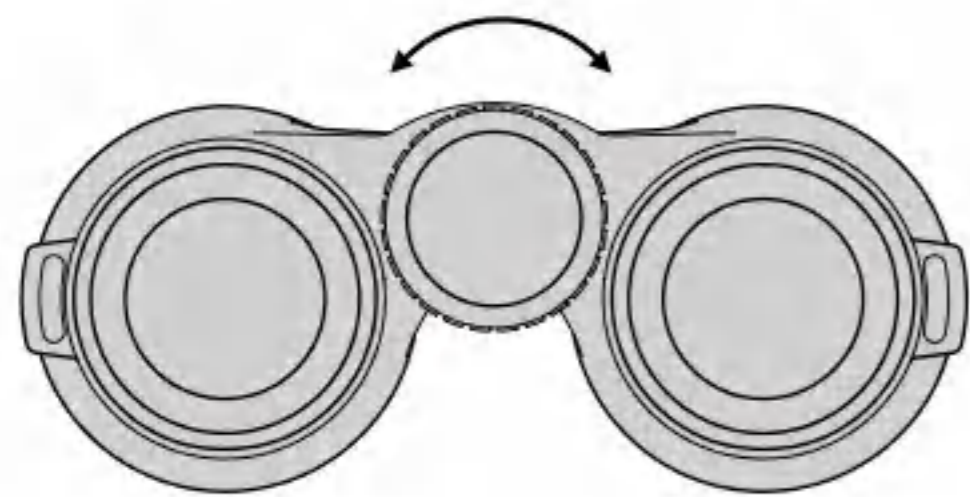
View the same distant object with your right eye only, and then adjust the Right-eye diopter ring to get a clear image. (The diopter ring should only be adjusted once for each person unless the eyesight changes)



View a distant object with both your eyes open, and then adjust the center focus wheel to get a clear image.

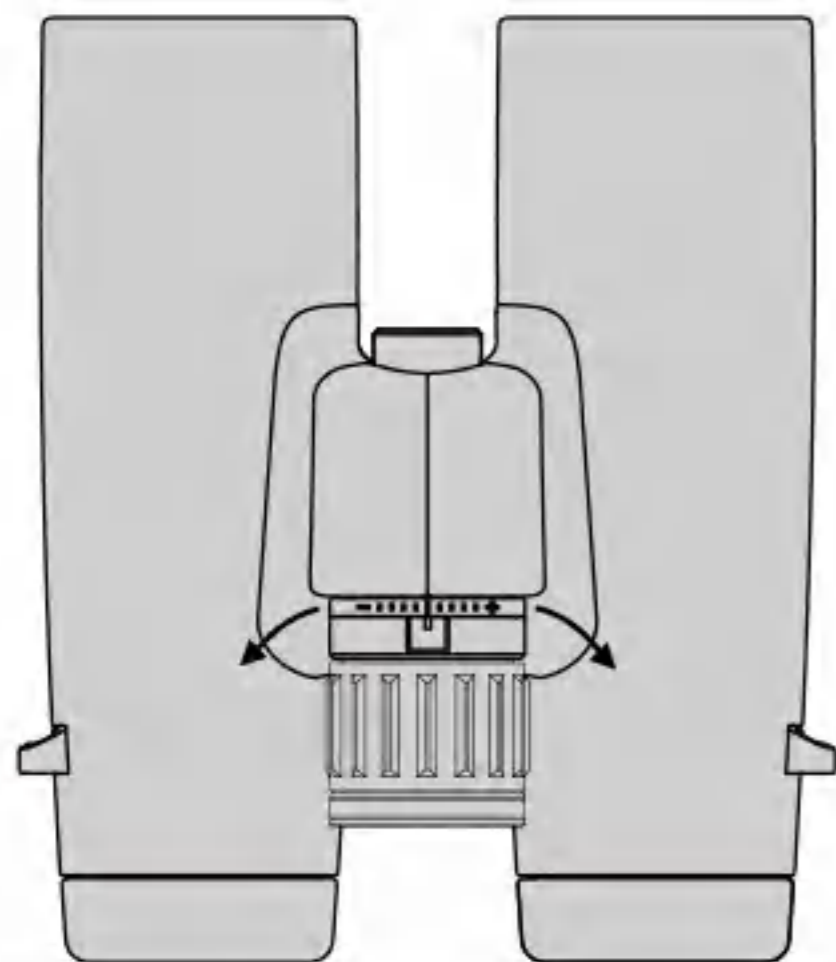
Binoculars with Center Focus & Center Diopter

Center Focus Wheel



View a distant object with your left eye only, and then adjust the center focus wheel to get a clear image.

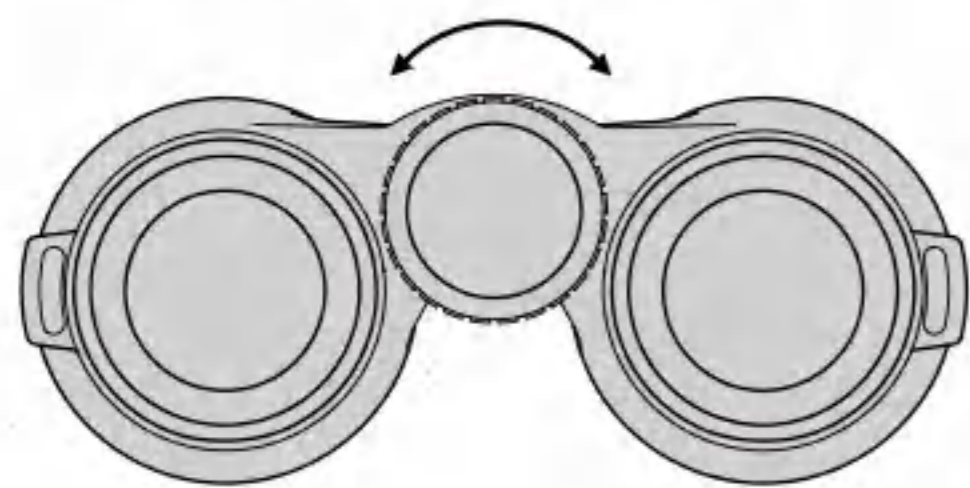
Left



View the same distant object with your right eye only, and then adjust the Center diopter ring to get a clear image. (The diopter ring should only be adjusted once for each person unless the eyesight changes)

Center Diopter Ring

Center Focus Wheel



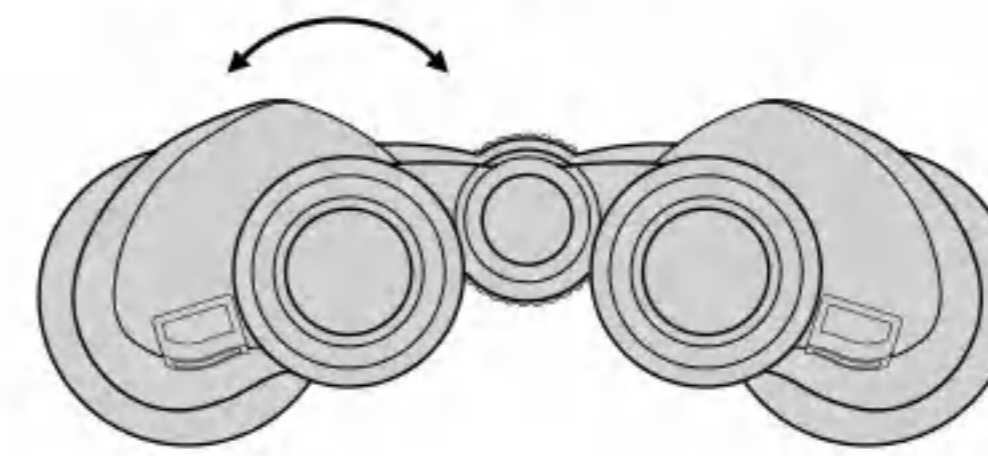
View a distant object with both your eyes open, and then adjust the center focus wheel to get a clear image.

Left

Right

Binoculars with Individual Focus

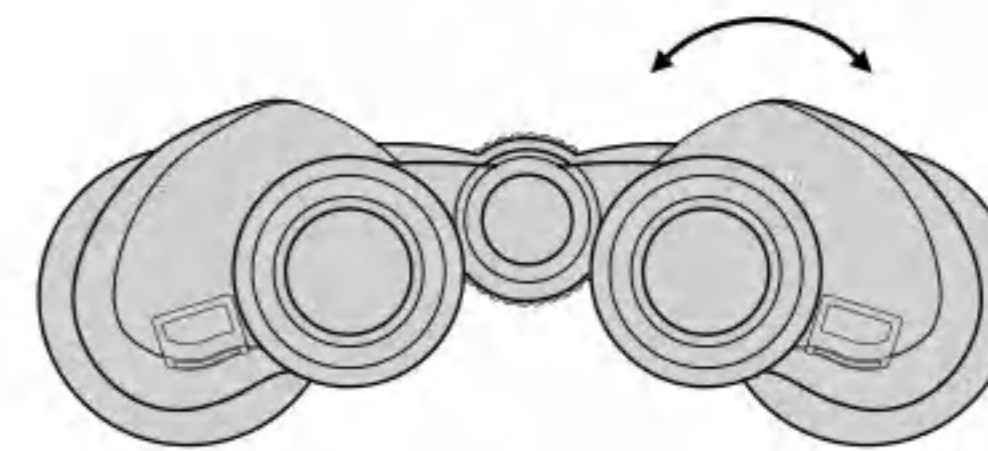
Left-eye Focus Wheel



View a distant object with your left eye only, and then adjust the left-eye focus wheel to get a clear image.

Left

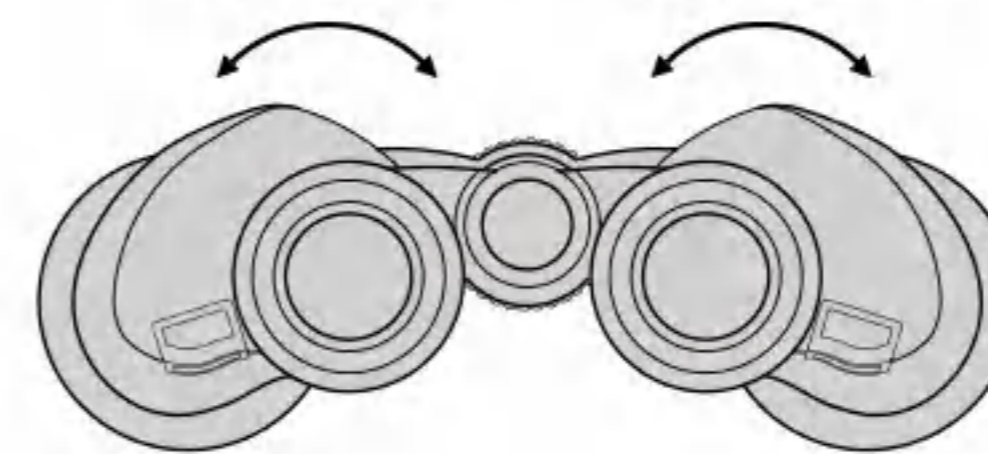
Right-eye Focus Wheel



View the same distant object with your right eye only, and then adjust the right-eye focus wheel to get a clear image.

右

Left-eye Focus Wheel Right-eye Focus Wheel

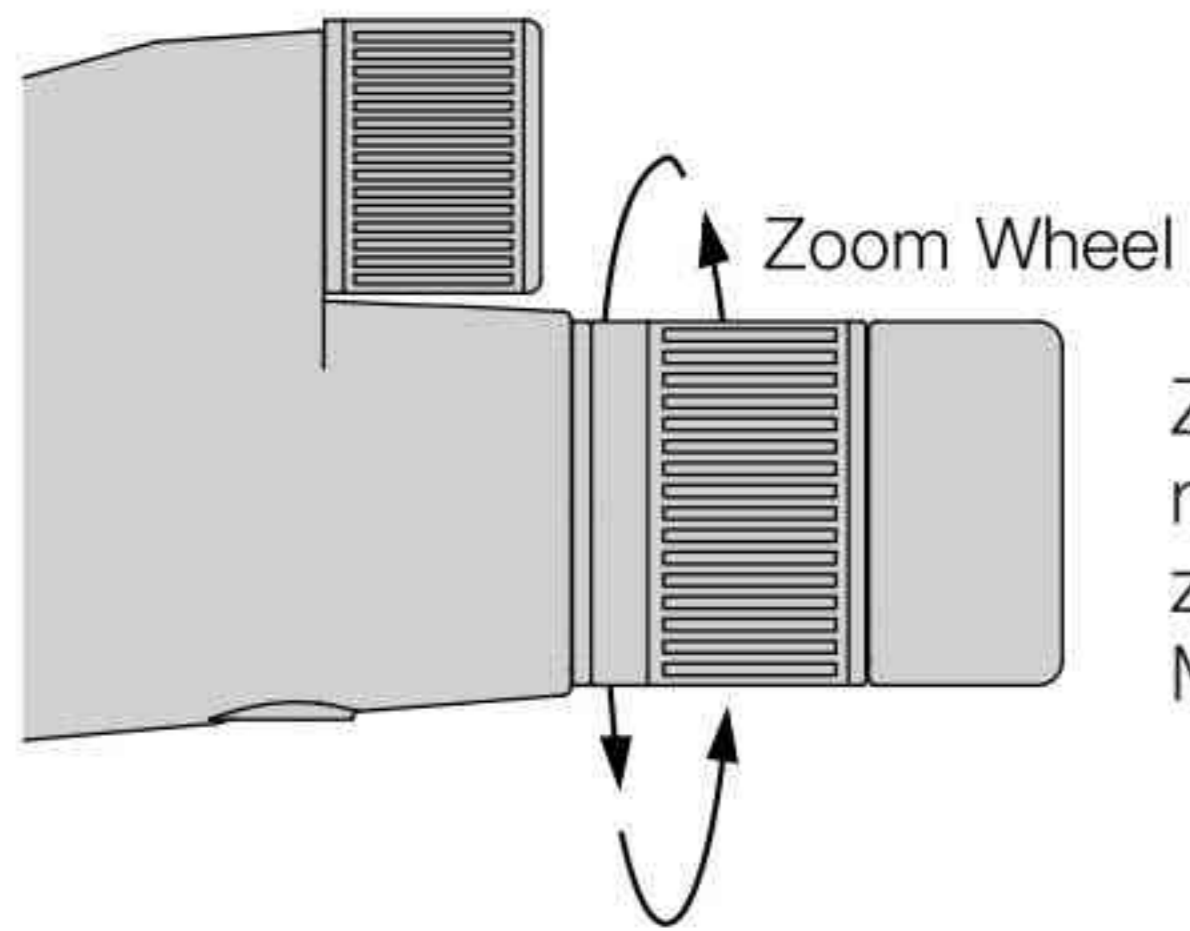


View a distant object with both your eyes open, and repeat the 2 steps above when you change your viewing object.

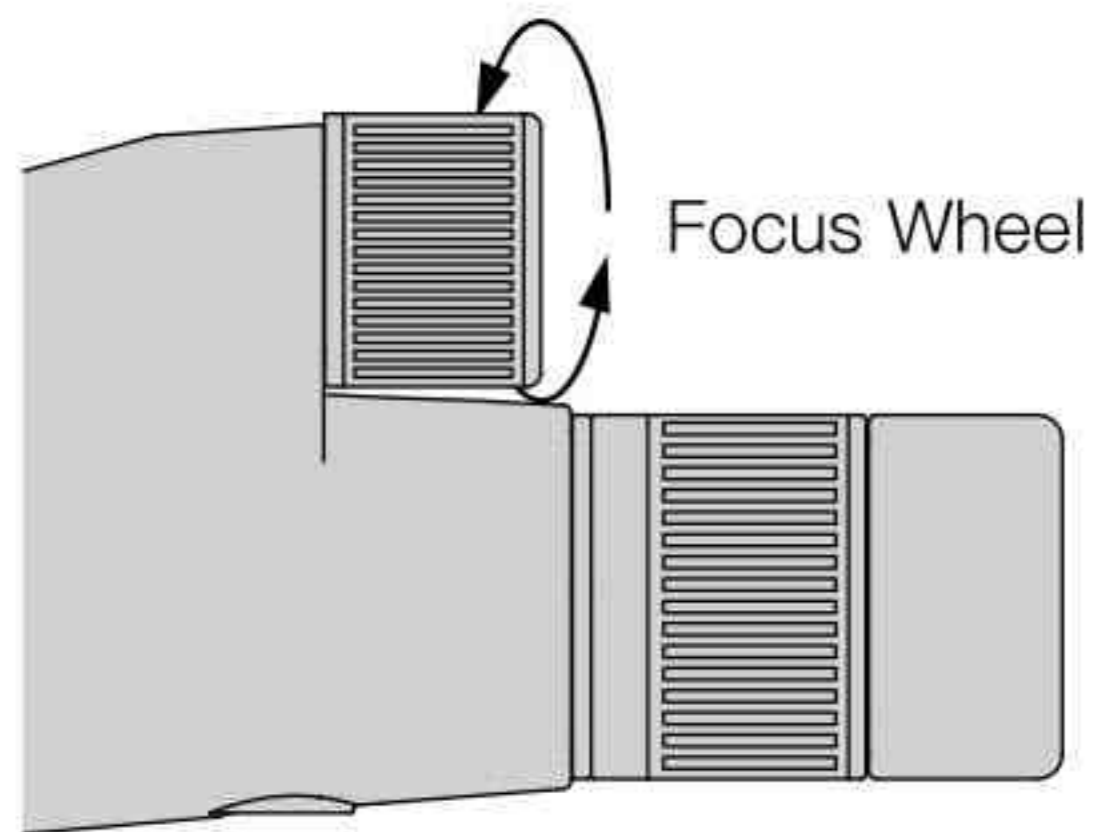
Left

Right

Monocular

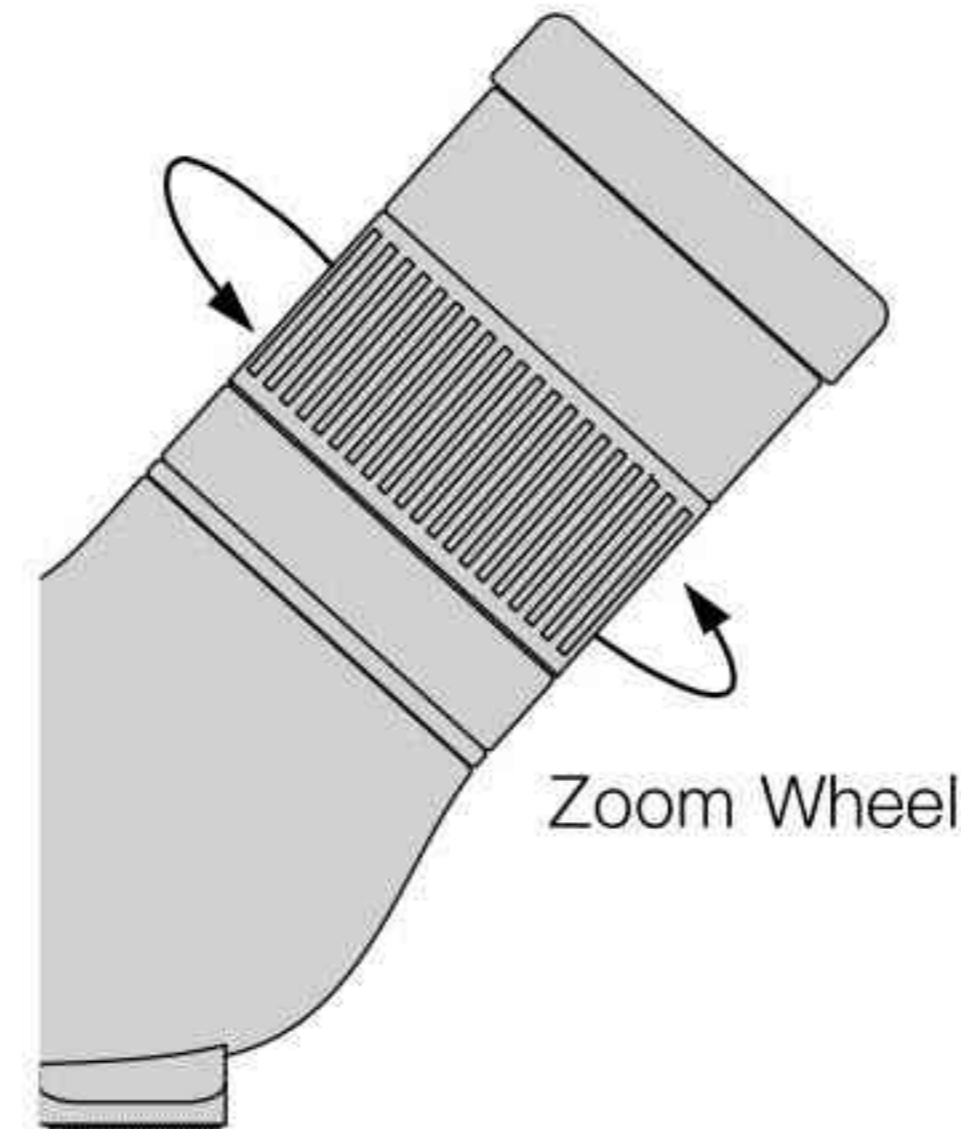


Zoom in a distant object as needed by adjusting the zoom wheel. (Only for Zoom Monocular)

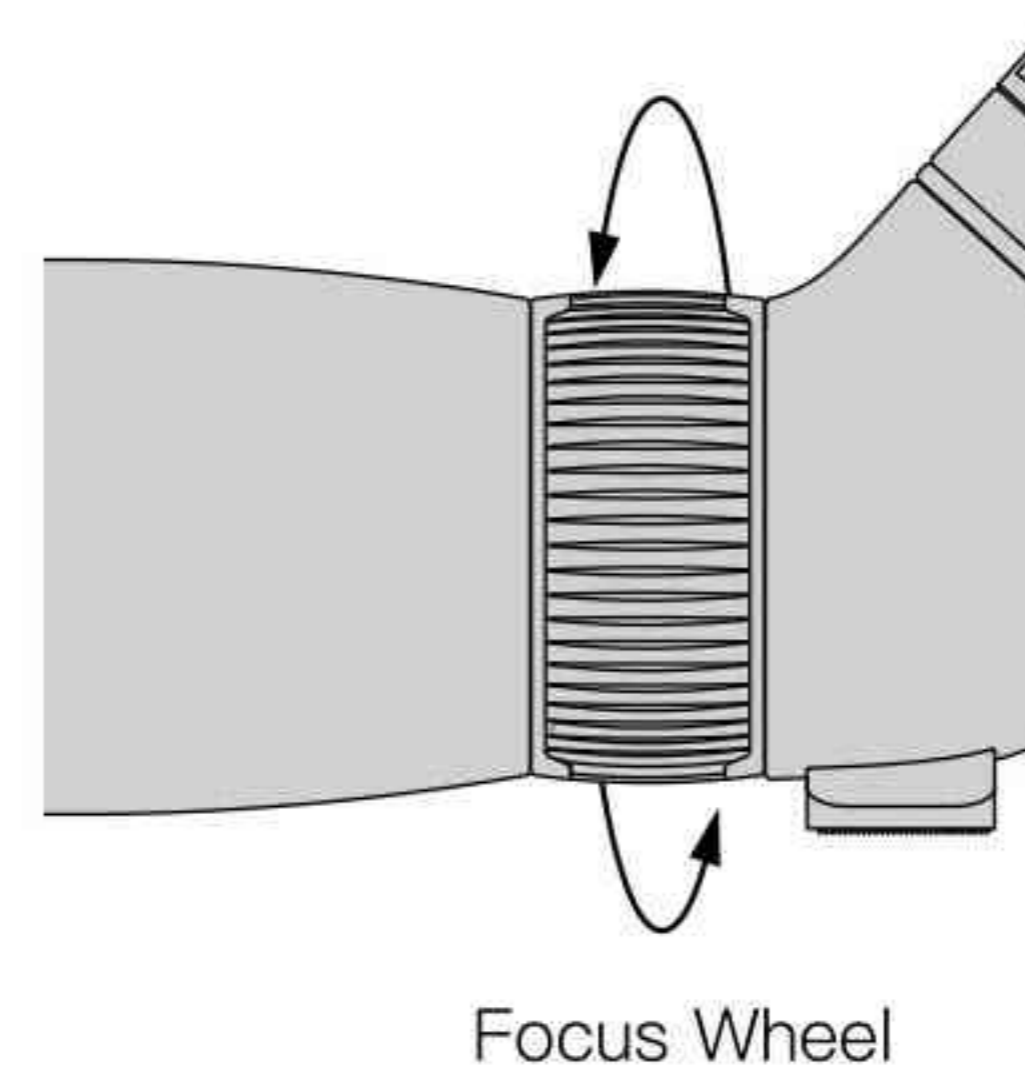


Adjust the focus wheel to get a clear image.

Fieldsopes & Spotting Scopes

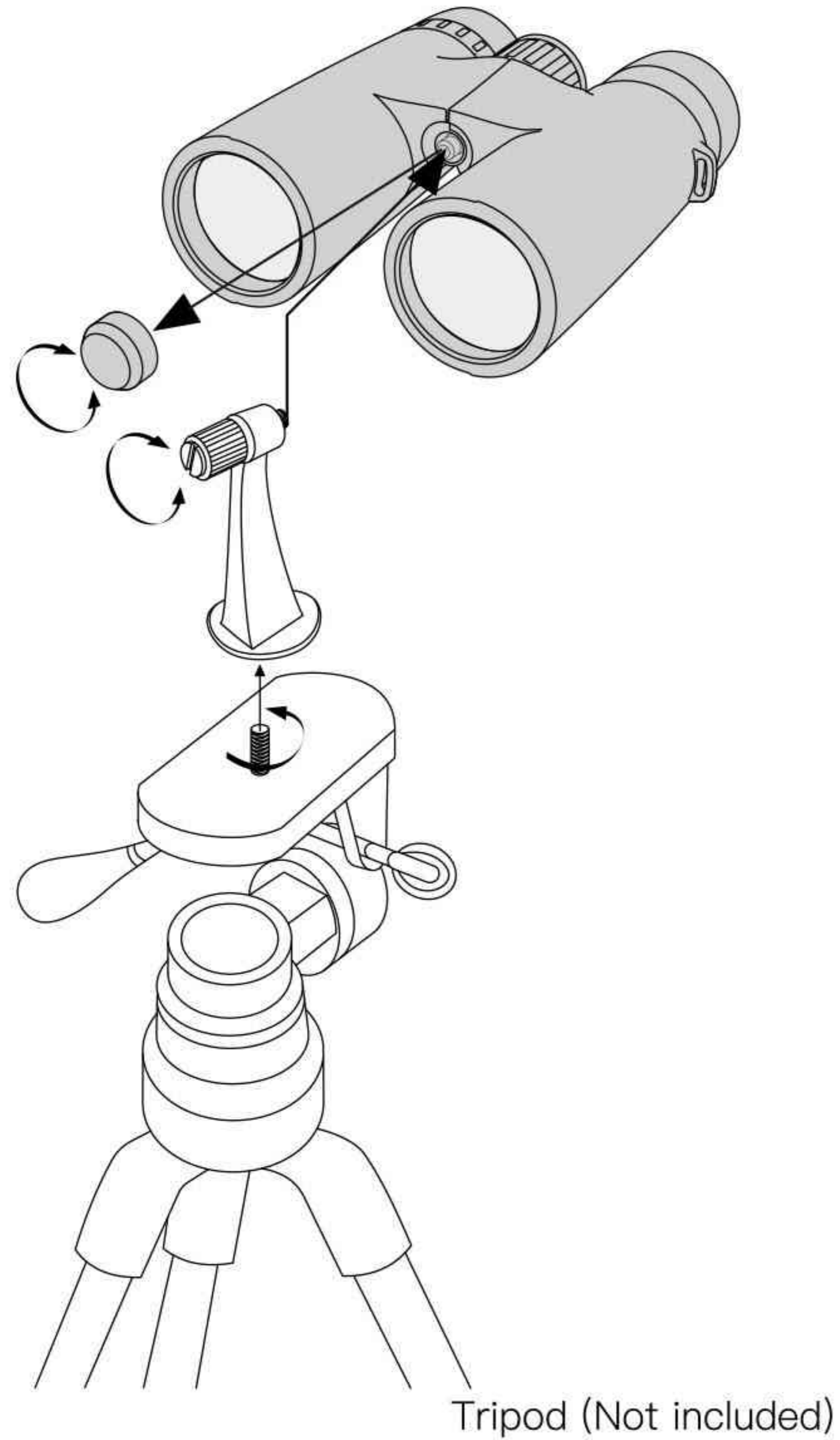


Zoom in a distant object as needed by adjusting the zoom wheel. (Only for Zoom Monocular)

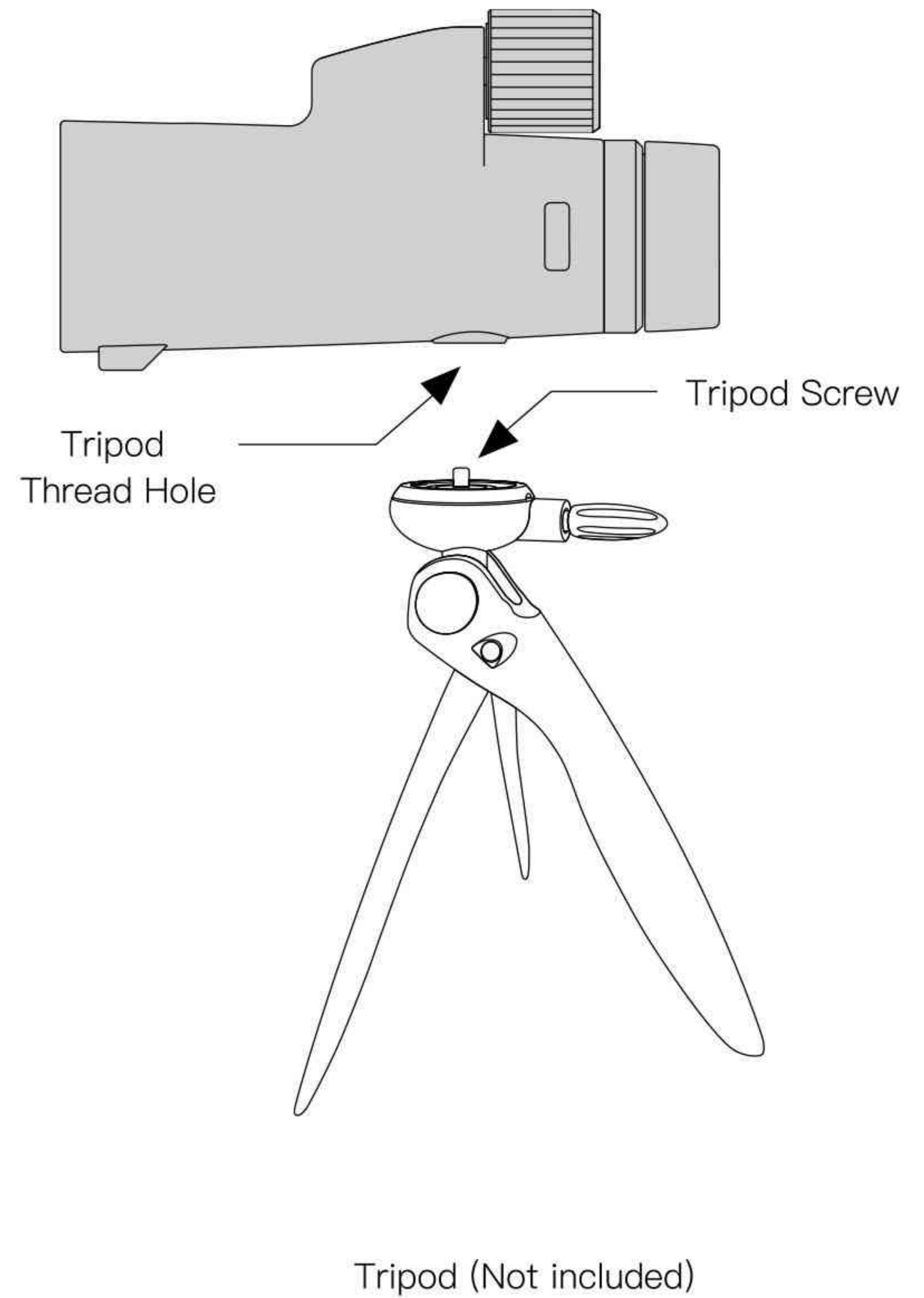


Adjust the focus wheel to get a clear image.

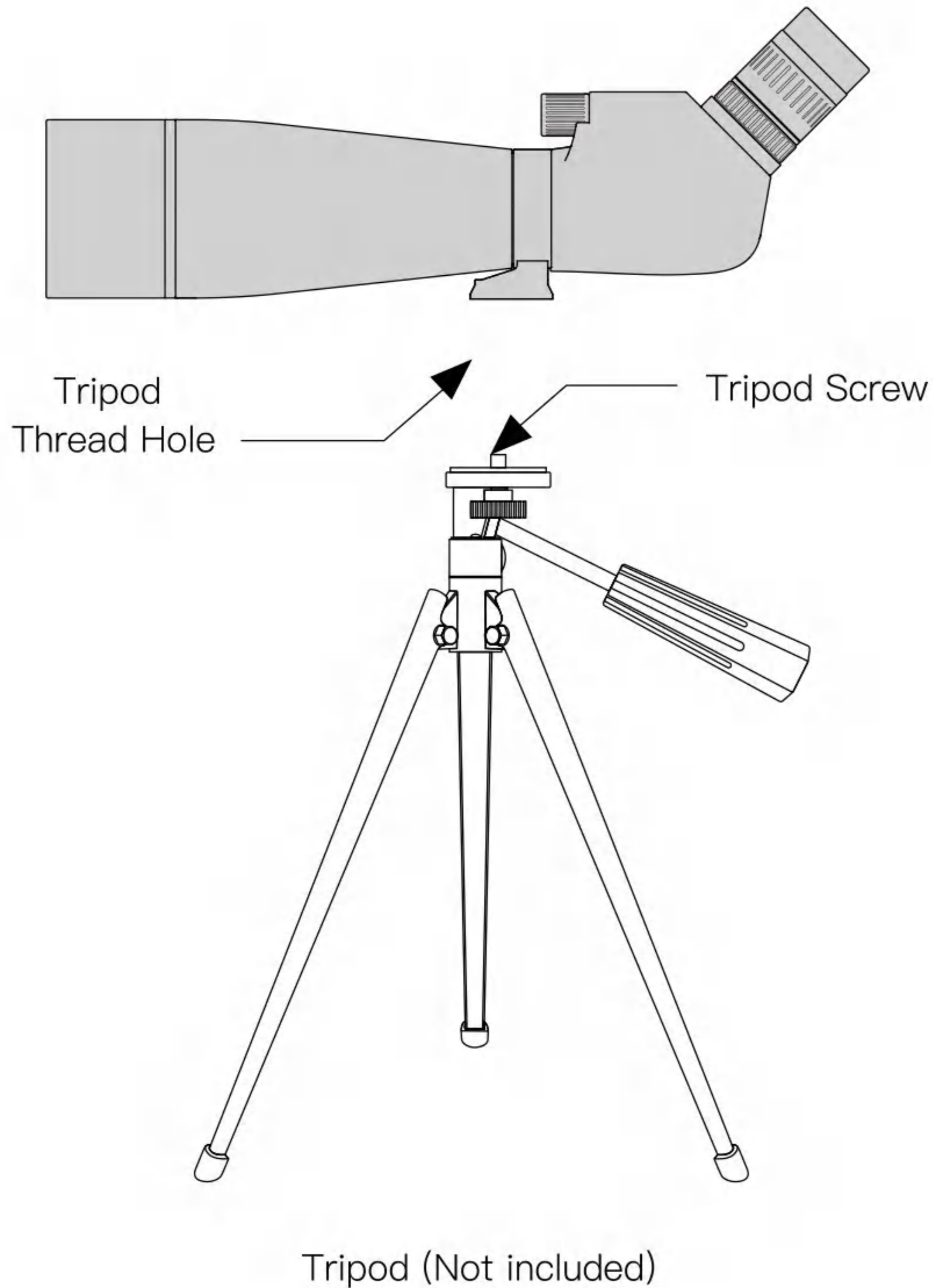
Mounting Tripod on Binoculars



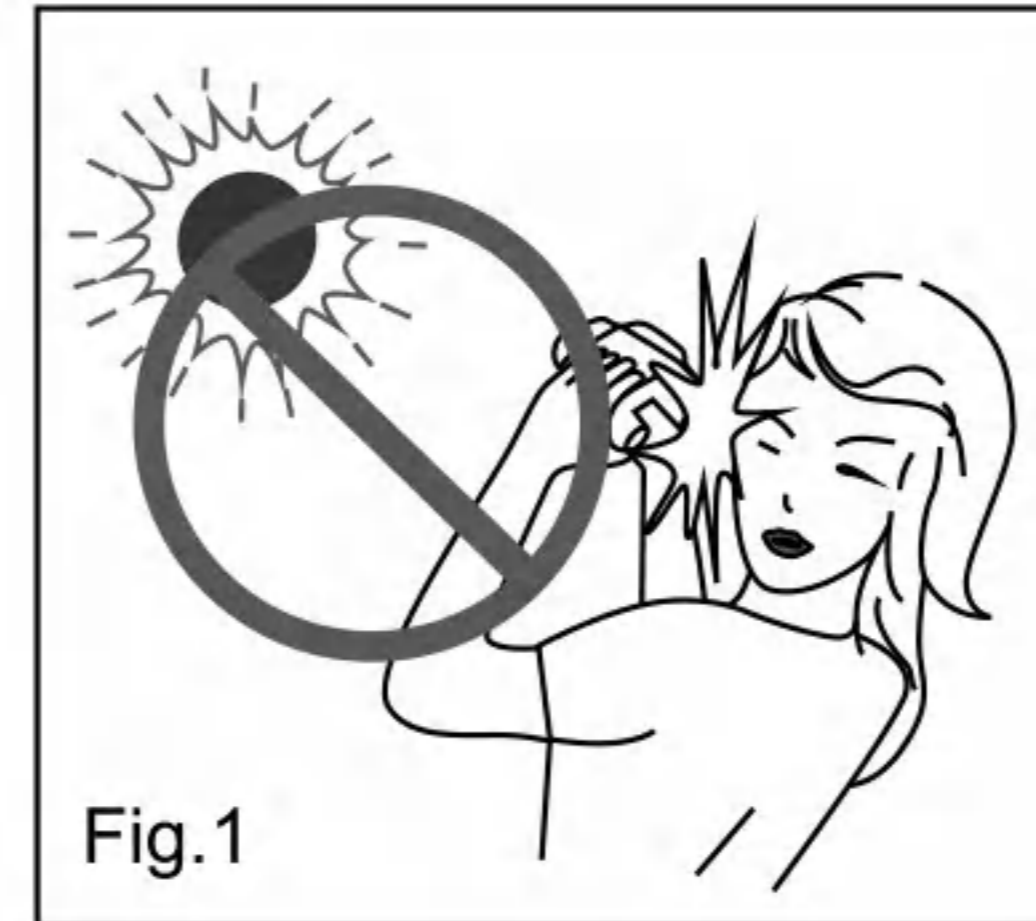
Mounting Tripod on Monocular



Mounting Tripod on Spotting Scope



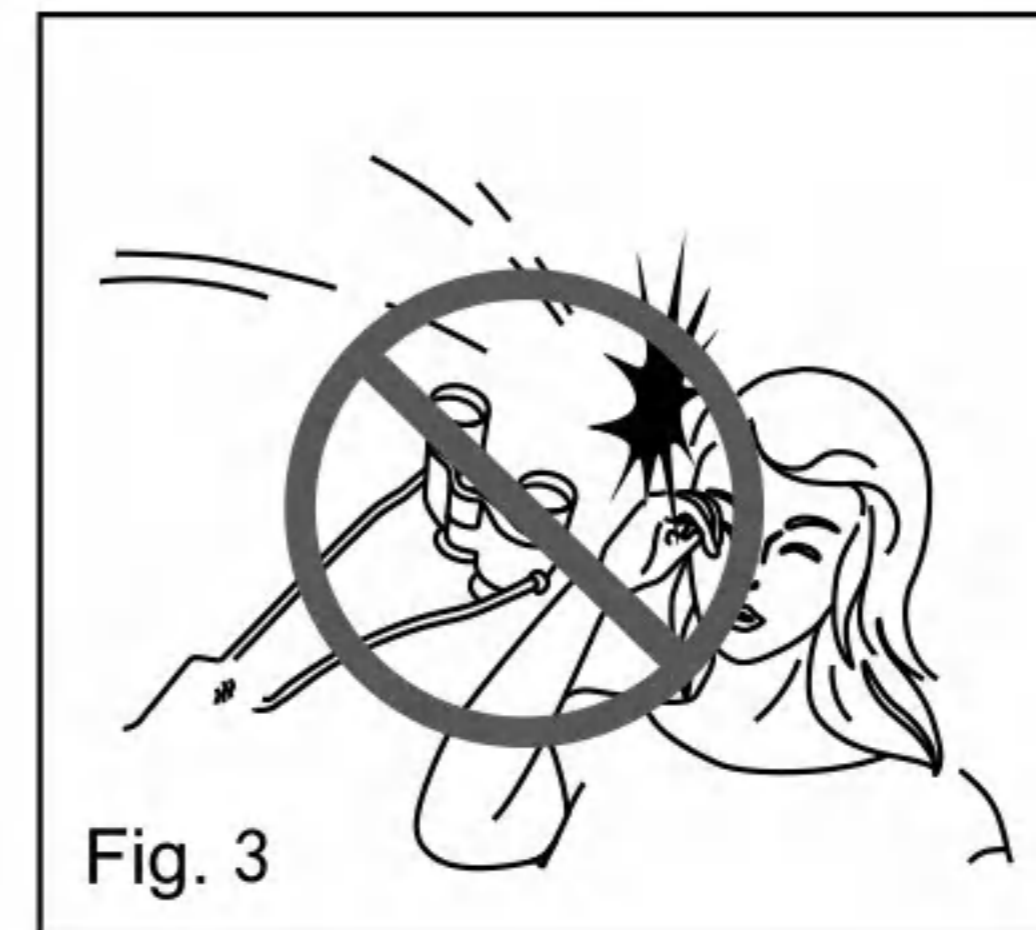
⚠ Warning



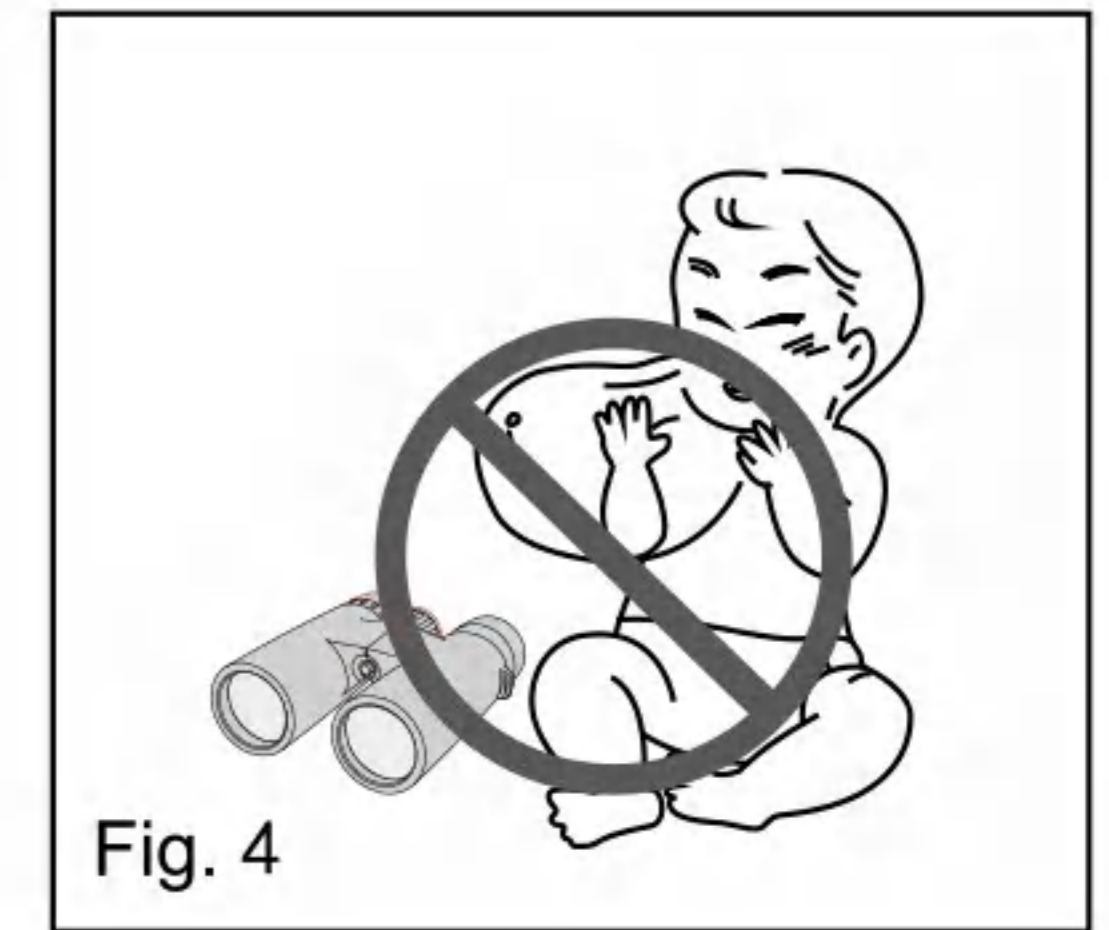
1. Never look at the sun or other intense sources of light through the binocular to avoid the risk of eye damage or blindness.



2. Never using telescopes while you are moving.



3. Never throwing binoculars around, it's dangerous to others.



4. To avoid danger of suffocation, keep plastic bags away from babies and children.

Applications



Traveling



Birding



Sightseeing



Concert



Hunting



Animals



Ball Games



Racing Games



Stargazing

FAQ

Why causing dizziness?

1. Your binoculars are not adjusted properly for your eyesight. Please follow the instruction on pages 15-25.
2. You didn't adjust the IPD correctly. Please follow the instruction on page 14.
3. This normally happens when using the telescope for the first time. Your eyes cannot adapt to the magnifications in a short time, especially when you are using high powers or moving too much. Allow your eyes to rest from time to time, you will get used to it in 2 to 3 days.

Why are the images not clear?

1. Your binoculars are not adjusted properly for your eyesight. Please follow the instruction on pages 15-25.
2. The image quality will be affected by air visibility. It's difficult to see clear images if it's cloudy or smog days.
3. Please keep the lens surfaces are clear and do not view through the window.
4. You didn't adjust the IPD correctly. Please follow the instruction on page 14.

Please contact customer service if you still have troubles with your telescopes.



杭州艾斯基光学仪器有限公司

地址：浙江省杭州市钱塘新区国家级科技企业孵化器

服务热线：0571-87974929 网址：www.eyeskey.cn