



YC20SR PRO

整机重量 : 2000 kg

Working weight: 2000 kg

斗容 : 0.05 m³

Bucket capacity: 0.05 m³

[产品介绍](#)
Product introduction

无尾挖掘机

Tailless Excavator

YC20SR是玉柴无尾挖掘机，机身小巧，履带可伸缩范围1080mm~1400mm，适合在狭窄的工况中工作

YC20SR is a Yuchai tailless excavator with a small body and retractable track range of 1080mm~1400mm, which is suitable for working in a narrow working conditions.

强悍配置

Strong Configuration

具备左右先导操作，动作柔和，稳定性更好
具备左右偏转功能，可在狭小空间作业

配备伸缩底盘
维护便利，使用成本低
With the left and right pilot operation, it has gentle movement and better stability.

With the left and right deflection function, it can work in narrow space.

It is equipped with telescopic chassis.

Convenient maintenance and low use cost.

舒适的驾驶体验

Comfortable Driving Experience

驾驶室全新升级，配备有多个按键，比如雨刮器、风扇、警示灯、大灯、偏转装置、伸缩底盘、快速档，让驾驶员快速完成操作

The cab is upgraded and equipped with multiple buttons, such as wiper, fan, warning light, headlight, deflection device, telescopic chassis and fast gear so that the driver can complete the operation quickly.



YC20SR PRO

玉柴重工2.0 ton无尾挖掘机

Yuchai Heavy Industry 2.0 ton tailless excavator

玉柴YC20SR无尾挖掘机，机身更小、更快、运输过程更灵活

Yuchai YC20SR tailless excavator has smaller body, faster movement and more flexible transportation process

玉柴小挖 YUCHAI Mini Excavator. 响彻世界的挖掘机品牌

The world's most famous excavator brand

玉柴重工成立于1989年，是中国最早生产微挖并销往全球的挖掘机企业，是中国国内最大的小型挖掘机生产、出口基地，国家级高新技术企业。三十多年创新发展，给客户高品质保证！

YUCHAI Heavy Industry Co. Ltd., founded in 1989, is the first enterprise of excavators in China to produce mini-excavators and sell them to the world. As China's largest state-level high-tech enterprise, it is also a producing and exporting base of small excavators.

More than 30 years of innovation and development to ensure high-quality customers!



舒适的驾驶体验

Comfortable Driving Experience

驾驶室全新升级，配备有多个按键，比如雨刮器、风扇、警示灯、大灯、偏转装置、伸缩底盘、快速档，让驾驶员快速完成操作。

The cab is upgraded and equipped with multiple buttons, such as wiper, fan, warning light, headlight, deflection device, telescopic chassis and fast gear, so that the driver can complete the operation quickly.



• 伸缩底盘 Adjustable Chassis

- YC20SR在狭窄地形工作时的最小底盘宽度是1080mm，面对特殊工况或者特殊地形时候，为了增加稳定性，底盘宽度可伸缩增加到1400mm
- The minimum chassis width of the YC20SR is 1080mm for narrow terrain and can be increased to 1400mm for particular conditions or terrain to increase stability.

全先导操纵 Full Pilot Control

驾驶体验更舒适，挖掘机动作更流畅

The driving experience is more comfortable and the excavator action is more smooth



动臂可左右偏转

The Boom Can be Deflected Left and Right

动臂最大左偏转角度60°

动臂最大右偏转角度70°

为提高挖掘机挖斗的灵活性，减小其工作所需的空间范围，使挖斗能在机身和动臂保持不动的情况下发生转动

Maximum left deflection angle of boom is 60°.

Maximum right deflection angle of boom is 70°.

We improve the flexibility of the excavator bucket, reduce the space range required for its work so that the bucket can rotate in the case of the fuselage and boom remain stationary.

丰富属具 Rich in Attachments

十多种属具

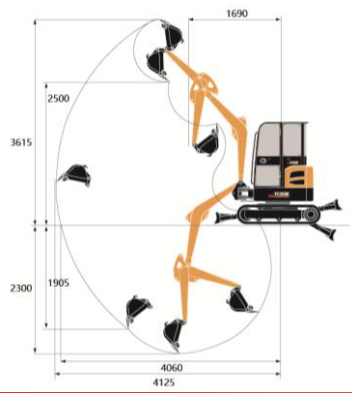
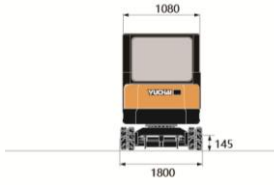
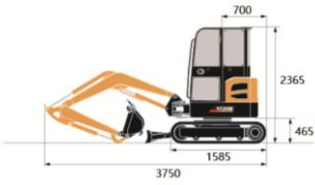
液压锤、铲斗、快换装置、抓木器、简易抓钳、清沟斗、贝型斗、钻具、割草机等。应用于四十多种重点工况，工况范围广。

More than ten genera of fittings

Hydraulic hammer, bucket, quick change device, wood grabber, simple grasping pliers, ditching bucket, shell bucket, drilling tools, lawn mower, etc.

It is applied in more than 40 key working conditions.





技术规格 Technical specifications	参数 Parameter	单位 Unit
基本参数 Basic parameter		
整机重量 Machine weight	2000	kg
标准斗容 Bucket capacity	0.05	m ³
性能参数 Performance parameter		
发动机 Engine model	YANMAR	
发动机额定功率 Engine power	13.4/2200	kW/rpm
爬坡能力 Max. Gradeability	30	°
斗杆最大挖掘力 Max. digging force of arm	8.8	kN
铲斗最大挖掘力 Max. digging force of bucket	13	kN
行驶速度 Traveling speed	1.7/3.0	km/h
平台回转速度 Slewing speed of platform	11	rpm
作业参数 Operating parameter		
最大挖掘高度 Max. digging height	3615	mm
最大挖掘深度 Max. digging depth	2300	mm
最大挖掘半径 Max. digging radius	4125	mm
最大地面挖掘半径 Max. digging radius on ground level	4060	mm
最大卸载高度 Max. dumping height	2500	mm
最小回转半径 Min. slewing radius	1690	mm
最大垂直挖深 Max. vertical digging depth	1905	mm
运输尺寸 Transportation dimension		
总长（运输状态） Overall length	3750	mm
总宽（运输状态） Overall width	1080	mm
总高（运输状态） Overall height	2365	mm
其他参数 Other Parameter		
履带宽度 Width of undercarriage	1080~1400	mm
履带长度 Length of track	1585	mm
最小离地间隙 Height between undercarriage and ground	145	mm
平衡重离地高度 Height between platform and ground	465	mm
尾部回转半径 Platform tail turning radius	700	mm
燃油箱容量 Fuel tank capacity	25	L
液压油箱容量 Hydraulic oil tank capacity	21.5	L