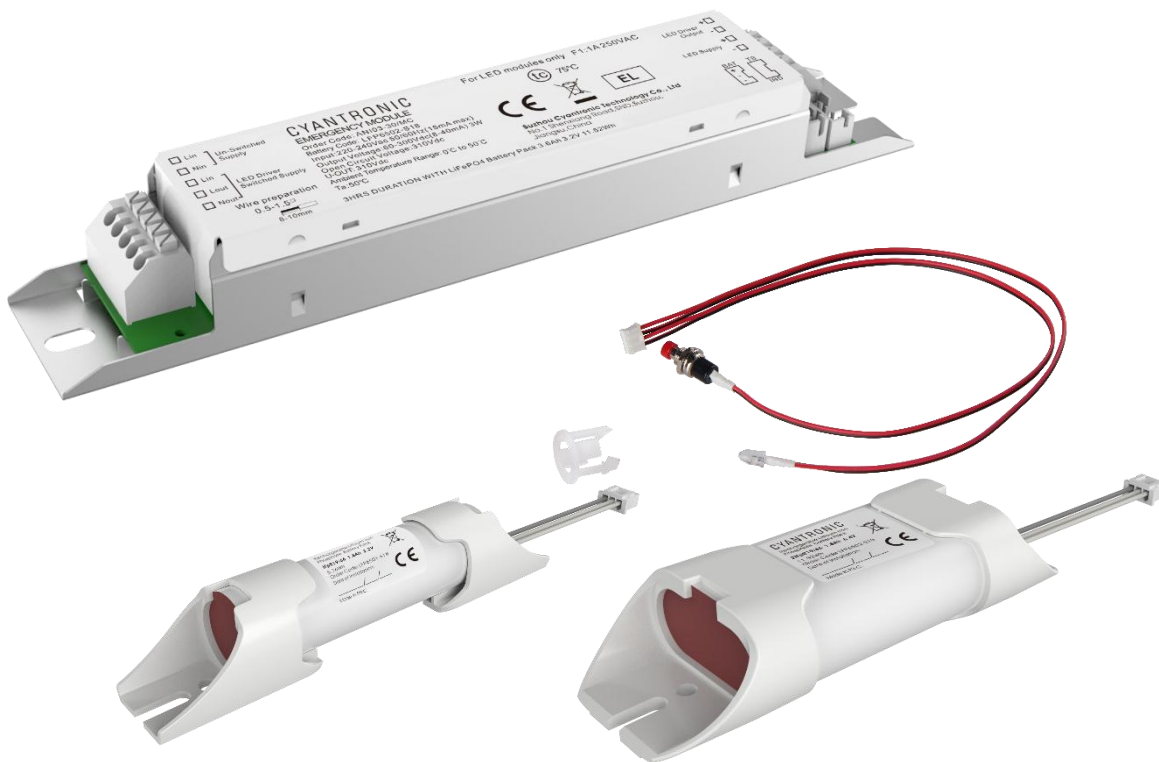


α

Emergency Module for LED Luminaires with Non-isolated Driver

适用于含非隔离电源的 LED 灯具的应急电源



Product Information 产品描述

This emergency module is used in LED luminaires with integrated LEDs and separate non-isolated LED drivers. It is designed for installing within the fitting to provide a battery back-up supply in the event of a power cut. The emergency module requires a permanent live un-switched supply to maintain the battery charge. In the event of a power cut, the battery will supply the luminaires at a reduced output.

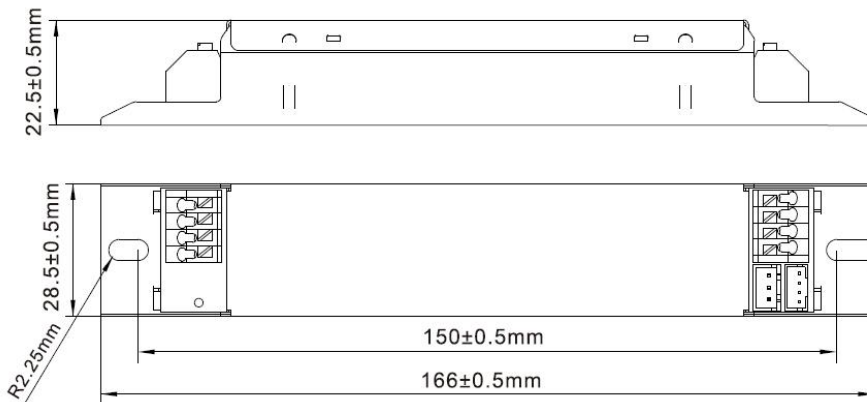
此应急电源适用于由非隔离电源驱动的 LED 灯具，并安装于灯具内部。应急电源需要持续通电以维持电池电量。在停电的情况下，电池以较低的功率给灯具中 LED 模组供电。

Features 产品特点

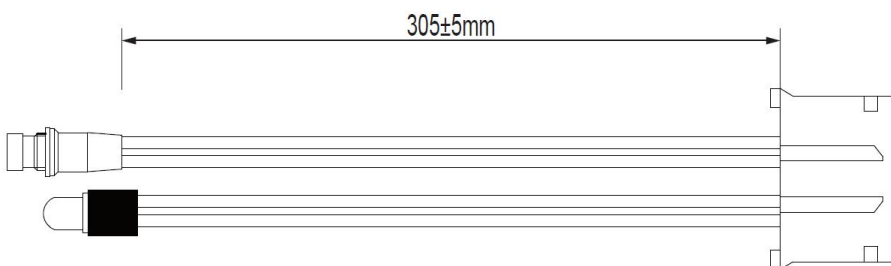
- For LED modules with a forward voltage of 30-300Vdc
- For maintained or non-maintained emergency lighting systems
- Conforms to EN 61347-1 and EN 61347-2-7
- Wired between driver and LED module via internal terminals
- Suitable for use in luminaires for high-risk task area lighting
- Voltage change-over threshold according to EN 60598-2-22
- 1.5 hours or 3 hours rated duration
- LiFePO4 battery pack
- Over-charge, over-current, short-circuit and deep discharge protection for battery
- Green charging status LED indicator
- Test Button for a quick functional test
- For built-in
- 适用于电压为30-300Vdc的LED模组
- 用于持续式或非持续式应急照明灯具
- 符合标准EN61347-1, EN61347-2-7
- 通过端子与电源及LED模组连线
- 适用于高风险任务区照明灯具
- 应急转换符合标准EN 60598-2-22
- 1.5小时或3小时应急工作时间
- 磷酸铁锂电池
- 具有过充、过流、短路、电池深度放电保护功能
- 绿色充电状态指示灯
- 手动快速功能测试按钮
- 内置式应用

Dimensions 产品尺寸

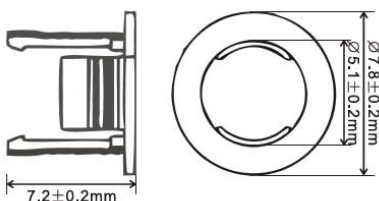
Emergency Module 应急模块



Indicator & Test Button Cable 指示灯线

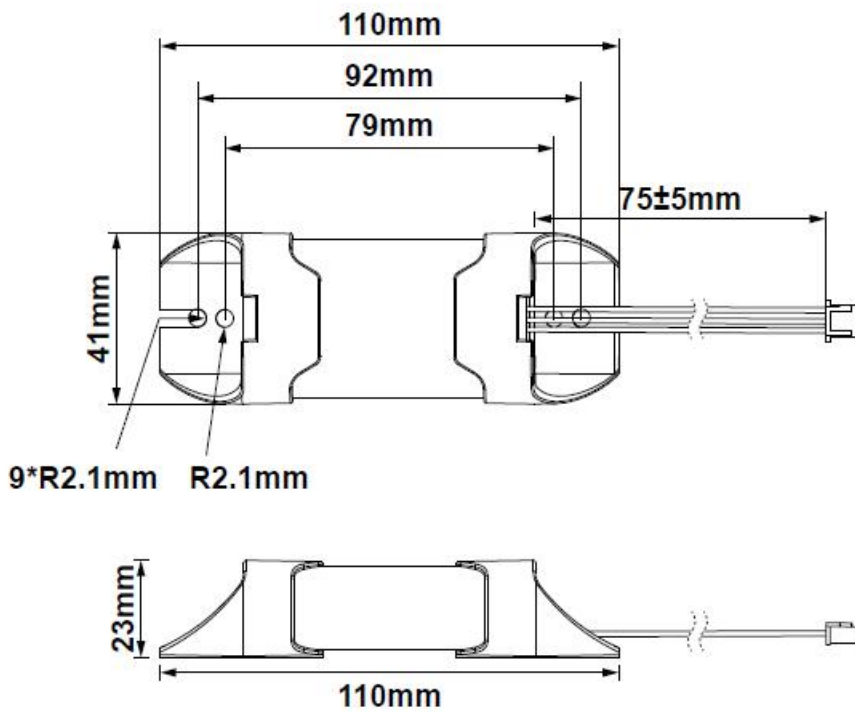


Indicator Holder 指示灯固定座

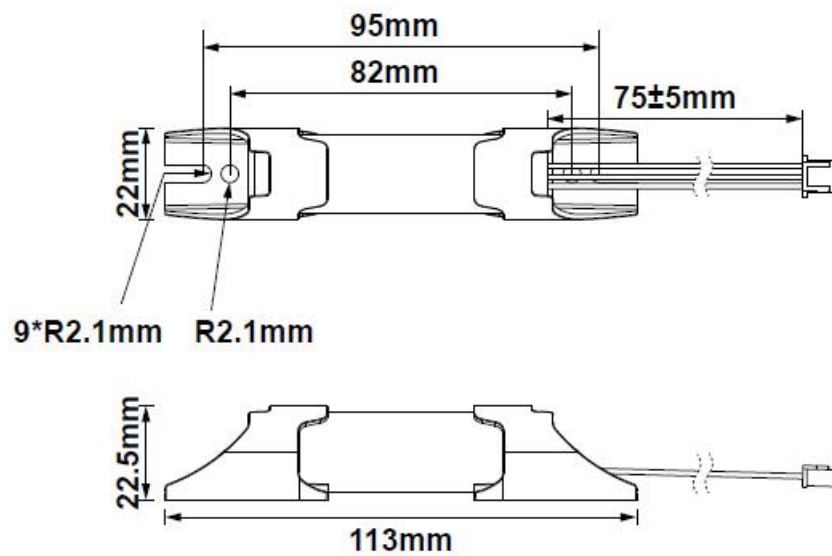


Battery Pack 电池组

LFP6502-S18



LFP6501-S18



Specifications 产品参数

Output Wattage 输出功率	3W
Input Voltage 输入电压	220-240Vac 50/60Hz
Input Current (max) 输入电流 (最大值)	15mA
Output Voltage 输出电压	30-300Vdc
Output Current 输出电流	8-65mA
Open Circuit Voltage 开路电压	310Vdc
Maximum Working Voltage 工作电压 (最大值)	310Vdc
Protection IP 及防护等级	IP20, For built-in installation IP20, 内置安装
Input to Output Protection 输入到输出防护等级	Double Insulation 双重绝缘
Emergency Operation Time 应急工作时间	>3 h or >1.5 h
Emergency Onversion Time 应急转换时间	<1s
Test Function 检测方式	Manual 手动
Length x Width x Depth 长*宽*深	166 x 28.5 x 22.5mm
Input Connection 输入端连接方式	Push-fit terminals 0.5-1.5mm ² 按压快接端子 0.5-1.5mm ²
Output Connection 输出端连接方式	Push-fit terminals 0.5-1.5mm ² 按压快接端子 0.5-1.5mm ²
Maximum Case Temperature 外壳最高温度(°C)	75°C
Ambient Temperature Range 工作环境温度(°C)	0 to 50°C

Notes: Not suitable for use on a battery supply with a trickle or intermittent re-charging circuit. The emergency module is not protected against supply voltage polarity reversal.

注意：不适用于带涓流或间歇充电电路的电池供电，应急电源无电池极性反接保护功能。

Battery Pack Options 电池组选项

Battery Code 电池型号	LFP6501-S18	LFP6502-S18
Battery Type 电池类型	LiFePO4 18650	LiFePO4 18650
Battery Capacity 电池容量	1800mAh	3600mAh
Battery Voltage 电池电压	3.2V	3.2V
Battery Charge Voltage 电池充电电压	3.6 Vdc	3.6 Vdc
Battery Charge Current 电池充电电流	250mA	250mA
Battery Discharge Voltage 电池放电电压	2.5-3.6 Vdc	2.5-3.6 Vdc
Battery Discharge Current 电池放电电流	450-550mA	850-950mA
Charging Time 充电时间	>24h	>24h
Battery Life 电池寿命	2 Years	2 Years

Order Codes 产品型号

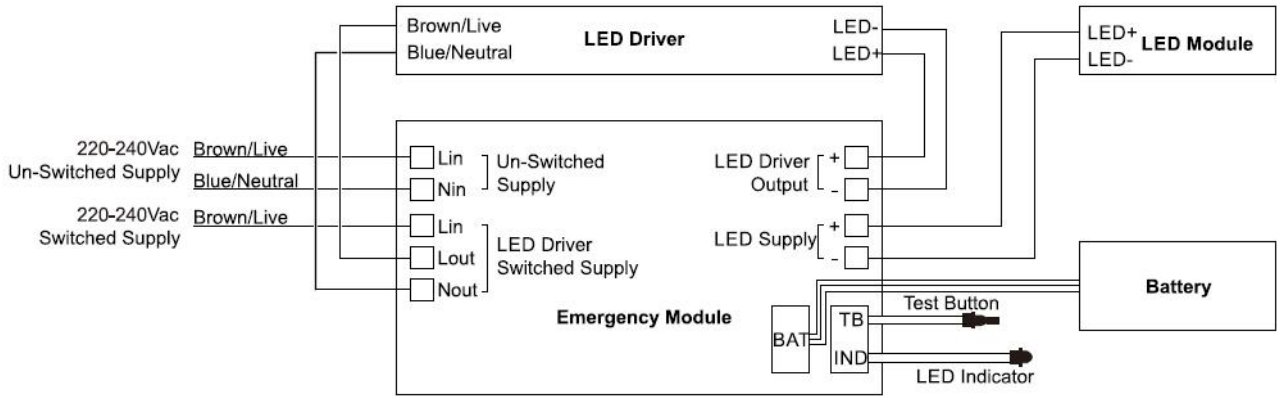
Order Code 电池型	Description 描述
ANI03-15/MC	α Standard, 3W output wattage, 1.5hours emergency operation time, LFP6501-S18, Built-in α 标准版, 3W 输出功率, 1.5 小时应急工作时间, LFP6501-S18, 内置式应用
ANI03-30/MC	α Standard, 3W output wattage, 3.0hours emergency operation time, LFP6502-S18, Built-in α 标准版, 3W 输出功率, 3 小时应急工作时间, LFP6502-S18, 内置式应用

Customizable Accessories 可定制配件

Type 类型	Description 描述
LED indicator & Test button cable 指示灯及测试按钮线	Green status LED indicator and test button cable with 4-pole plug 带 4 位连接器的绿色状态指示灯和测试按钮电线
Extension cable for battery 电池组延长线	Extension cable for battery with 3-pole plug, available in 75mm or 130mm 带 3 位连接器的电池延长线, 有 75mm 或 130mm 2 种选择

Wiring Diagram 接线图

Driver output current $\leq 0.8A$ 驱动输出电流 $\leq 0.8A$



Drive output current $> 0.8A$ 驱动输出电流 $> 0.8A$

