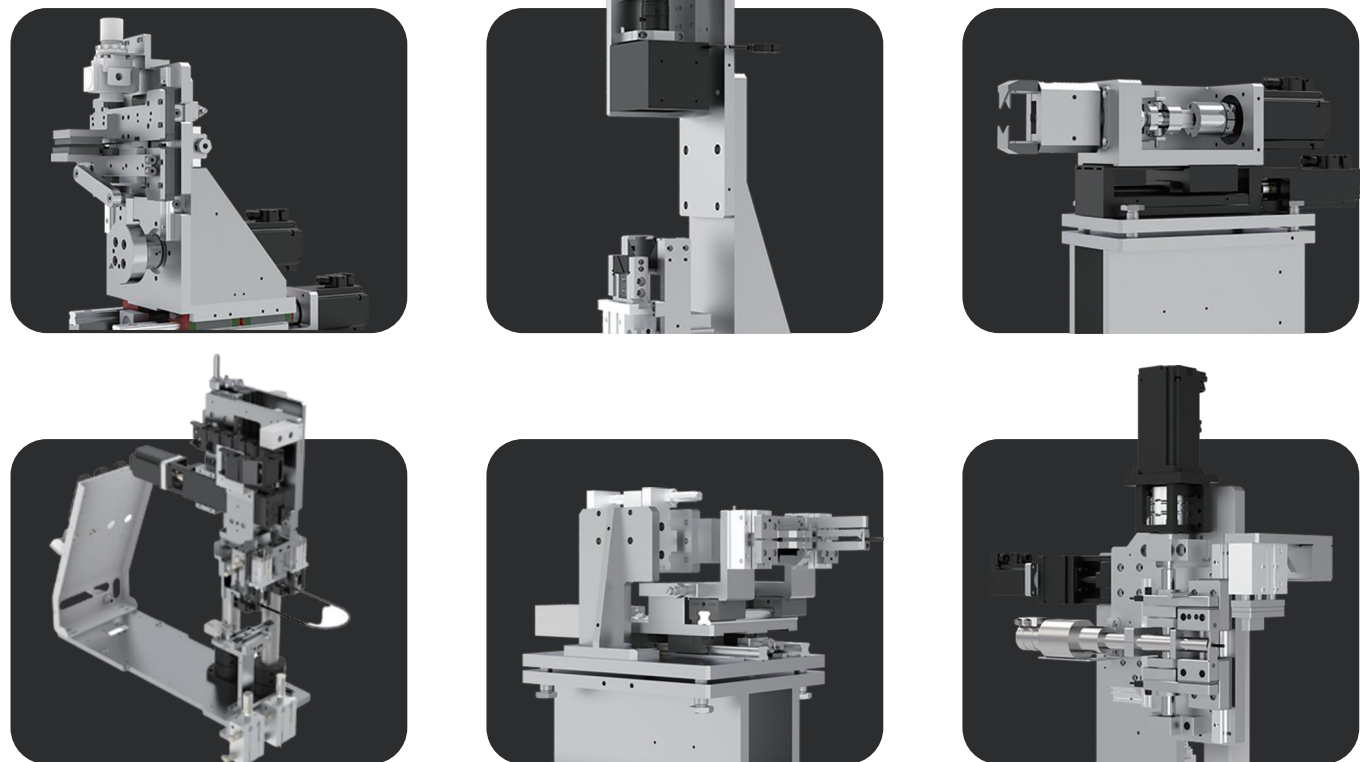


Core Modules



Specification

Process Capability	
Cable Length	125-10000mm
Cable Diameter	2 X 0.35-0.75mm ²
Stripping Accuracy	±0.20mm
Crimping Accuracy	±0.03mm
Inspection	Crimping, Assemble, Stripping, Sequence Detection

Machine Parameters	
CT	3-6S/PCS
Size	10000 * 1200 * 2000mm (Reference)
Power Source	3~ 380V/AC/50Hz
Air Pressure	0.5-0.7Mpa
Noise	<75dB

Suzhou, China

ADD: No.32, Tingtao Road, SIP, Suzhou, Jiangsu Province
Tel: +86-400-0909-665

Fankfurt,Germany

ADD: Paul-Ehrlich- Strasse 1b 63225 Langen (Hessen) Germany
Tel: +49 6103 988 2462

Tangier, Morocco

ADD: Zone franche d' exportation de tanger lot 81 A7,Tangier, Morocco
Tel: +212 663649938

Leon,Mexico

ADD: Calle Benjui #179 Col.Soberna, en esta Ciudad de Leon, Guanajuato,Mexico
Tel: +52 5513771917



Suzhou Harmontronics
Automation Technology Co., Ltd.

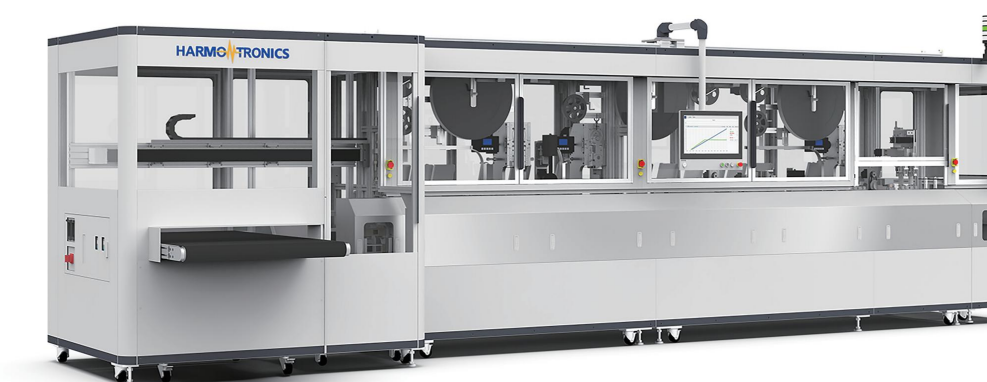
HARMOTRONICS
瀚川智能

HARMOTRONICS
www.htsm.com

Professional Provider of Manufacturing Solutions

**Wiring Harness
Product Lines**

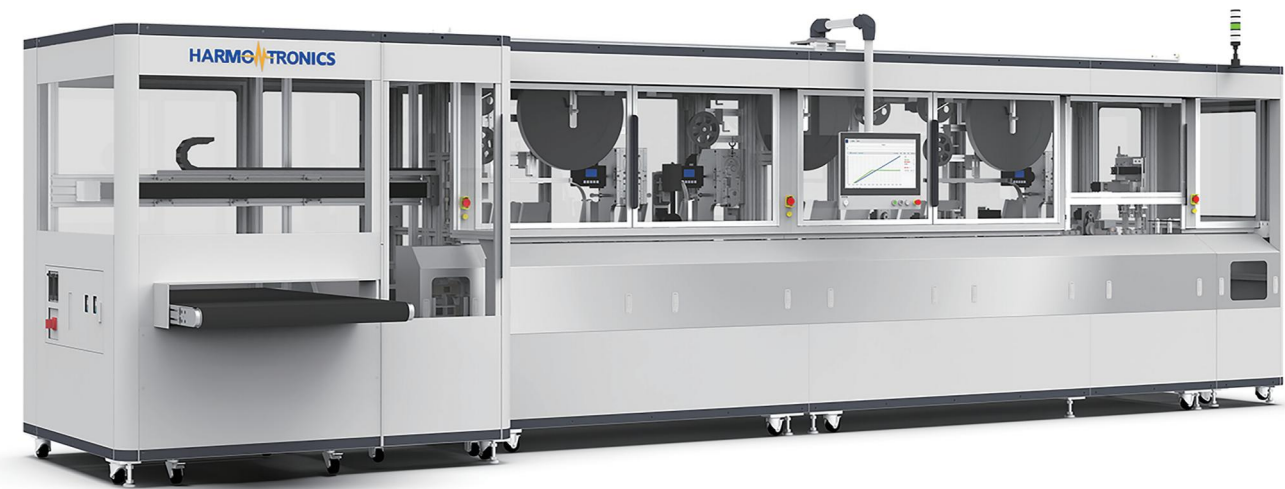
High Precision Flexible & Efficient Safe & Stable User-friendly



Suzhou Harmontronics Automation Technology Co., Ltd.

Stock Code: 688022

Automotive High-Speed Transmission Cable Automation Solution

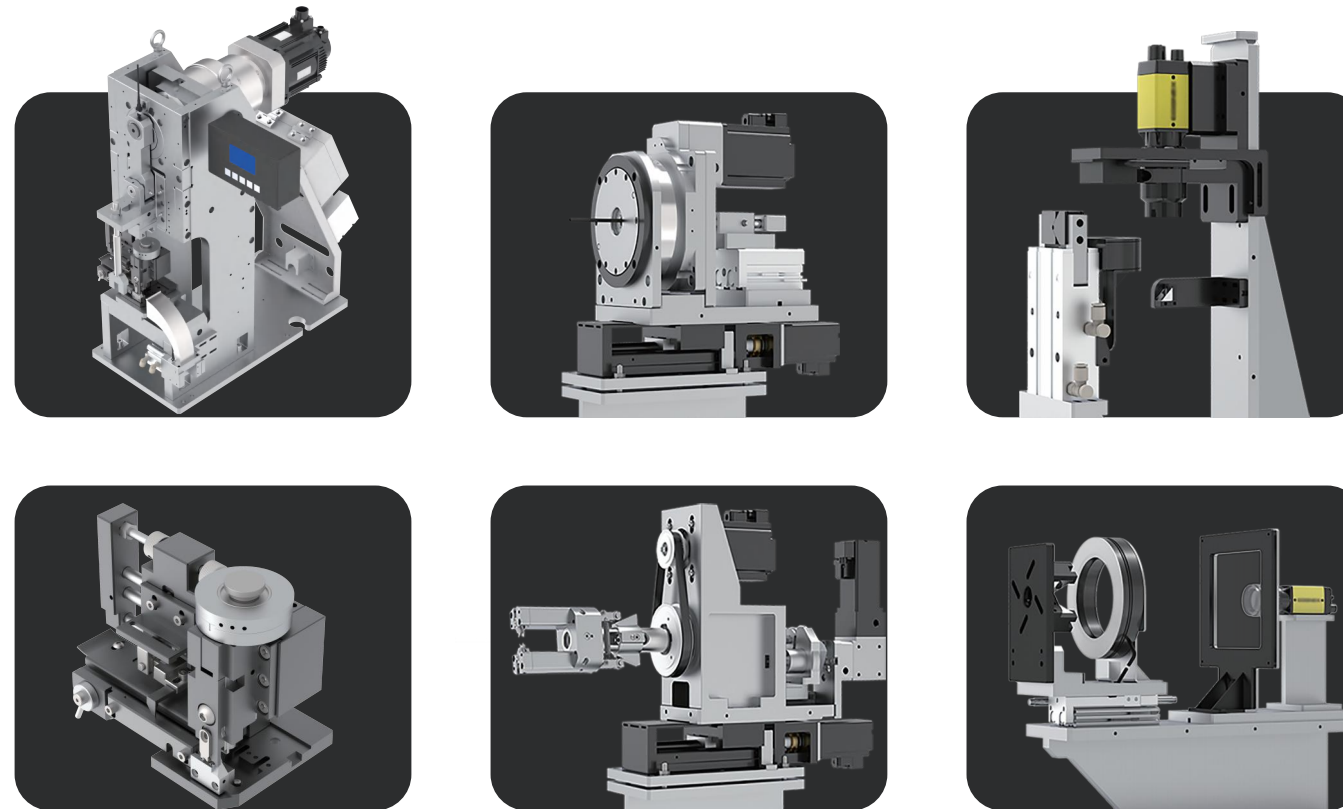


Description



Harmontronics provides a one-stop solution for Automotive High-Speed Transmission Cable (FAKRA & Automotive Ethernet) processing. Based on the self-developed HDC platform equipped with standard process modules, Harmontronics can provide single-side and double-side semi-auto and fully auto equipments to match different customers' requirements. At the same time, based on the concept of scalable and upgradable platform, the equipment can greatly improve the production efficiency by upgrading the conveying system, meet the demand for capacity improvement, and help customers to boost productivity.

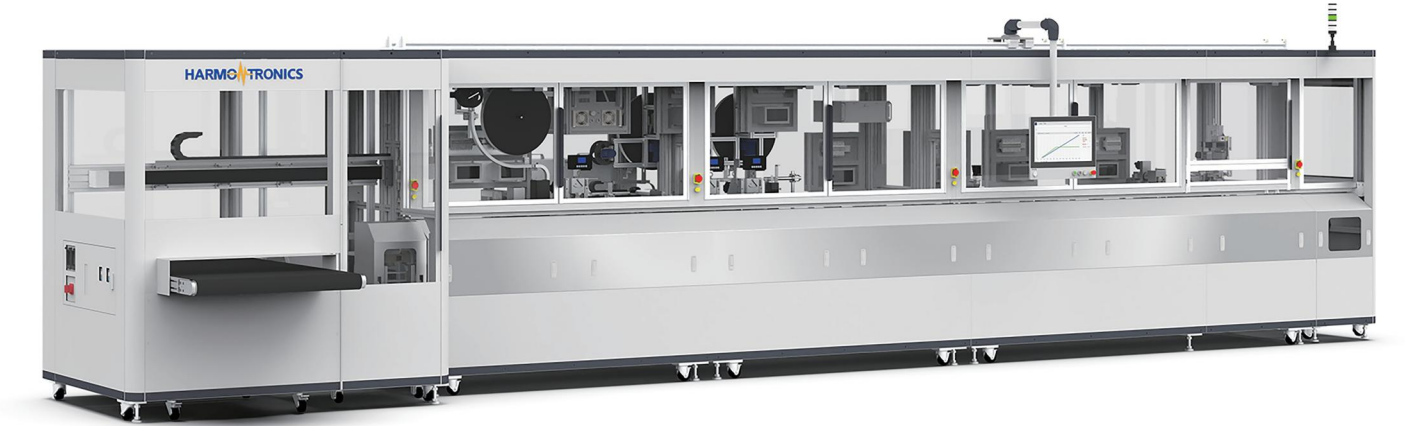
Core Modules



Specification

Process Capability		Device Parameters	
Cable Length	125-10000mm	CT	3-6S/PCS
Cable Diameter	2.5-5mm	Size	6800* 1200 * 2000mm (Reference)
Stripping Accuracy	±0.20mm	Power Source	3~ 380V/AC/50Hz
Crimping Accuracy	±0.03mm	Air Pressure	0.5-0.7Mpa
Inspection	Crimping, Stripping, Depth, Concentricity Detection	Noise	<75dB

Airbag Cable Automation Solution



Description



Harmontronics provides a one-stop solution for Airbag Cable processing. At the same time, based on the scalable and upgradable platform concept, this equipment can quickly realize production switching between different twisted-pair cables and single-core wires, meet diverse market demands, and help customers improve production efficiency.