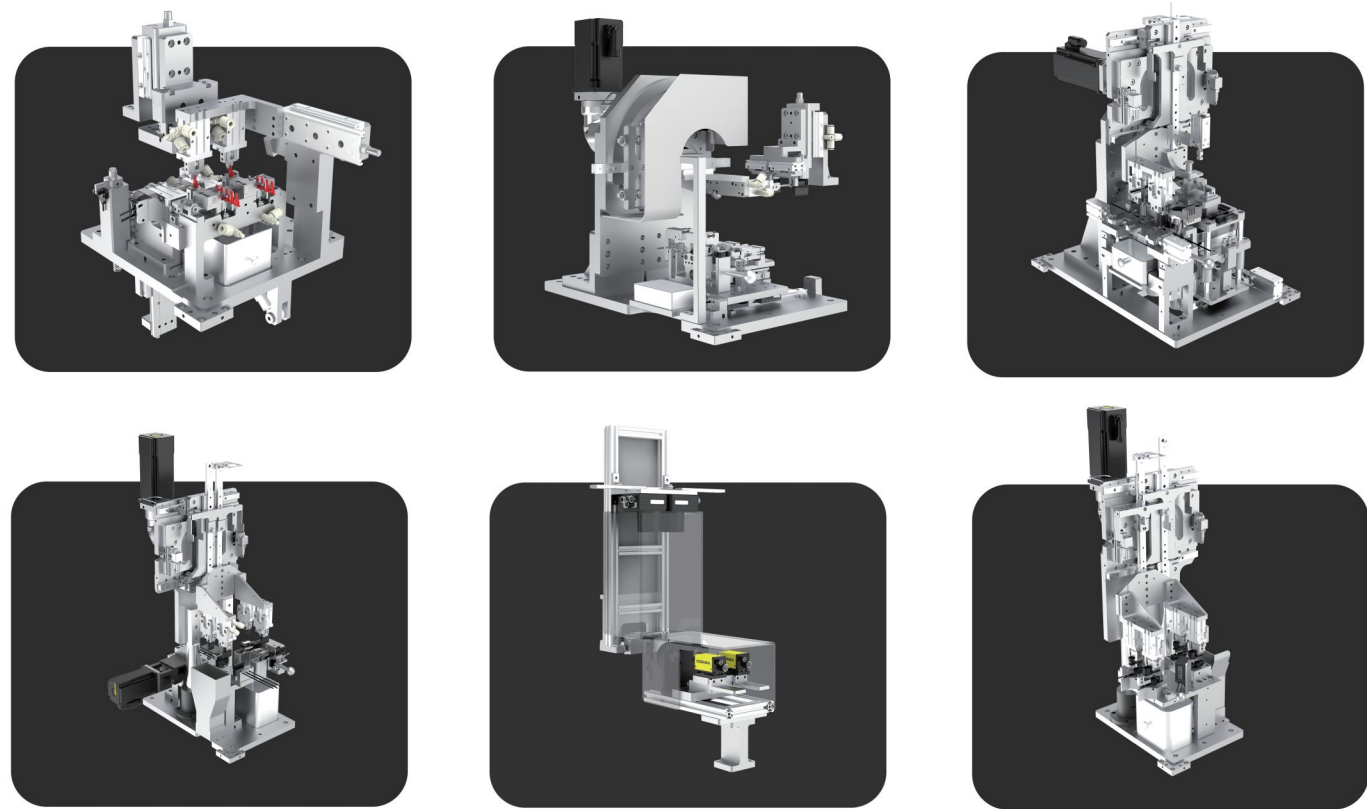


Core Modules



Specification

Equipment Size	5000*4500*2100mm(Reference)	Air Pressure	0.5~0.7Mpa
CT	<1~3s/pcs	Power Source	3~380V/AC/50Hz
Yield	≥99.5%	Noise	<78dB
TA	≥95%	Changeover Time	<15min

Suzhou, China

ADD: No.32, Tingtao Road, SIP, Suzhou, Jiangsu Province
Tel: +86-400-0909-665

Fankfurt,Germany

ADD: Paul-Ehrlich- Strasse 1b 63225 Langen (Hessen) Germany
Tel: +49 6103 988 2462

Tangier, Morocco

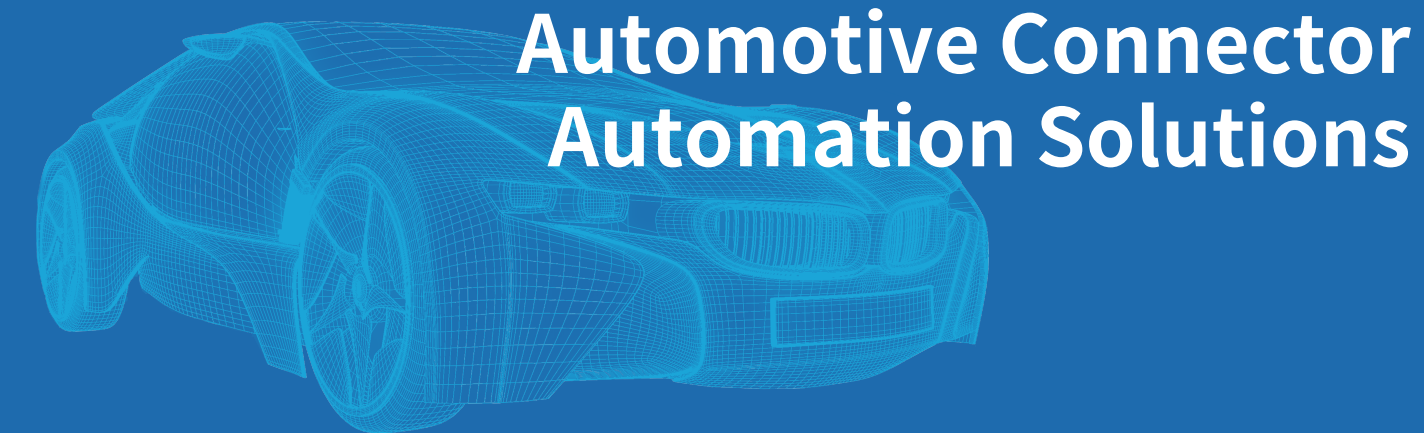
ADD: Zone franche d' exportation de tanger lot 81 A7,Tangier, Morocco
Tel: +212 663649938

Leon,Mexico

ADD: Calle Benjui #179 Col.Soberna, en esta Ciudad de Leon, Guanajuato,Mexico
Tel: +52 5513771917



Suzhou Harmontronics
Automation Technology Co., Ltd.



Automotive Connector Automation Solutions

Flexible & Efficient

Safe & Stable

Low Cost & Fast Delivery



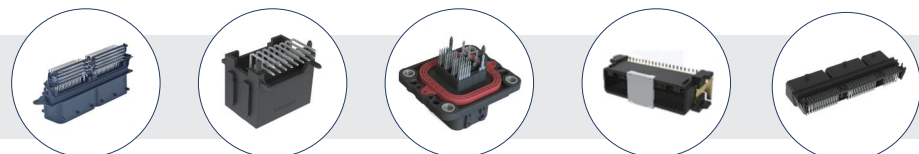
Suzhou Harmontronics Automation Technology Co., Ltd.

Stock Code: 688022

Header Connector Non-injection Molding Solutions



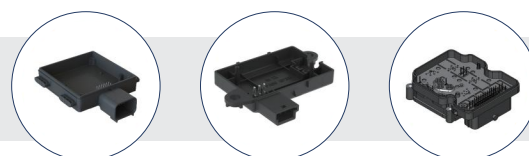
Typical Product



Header Connector Insert Molding Solutions



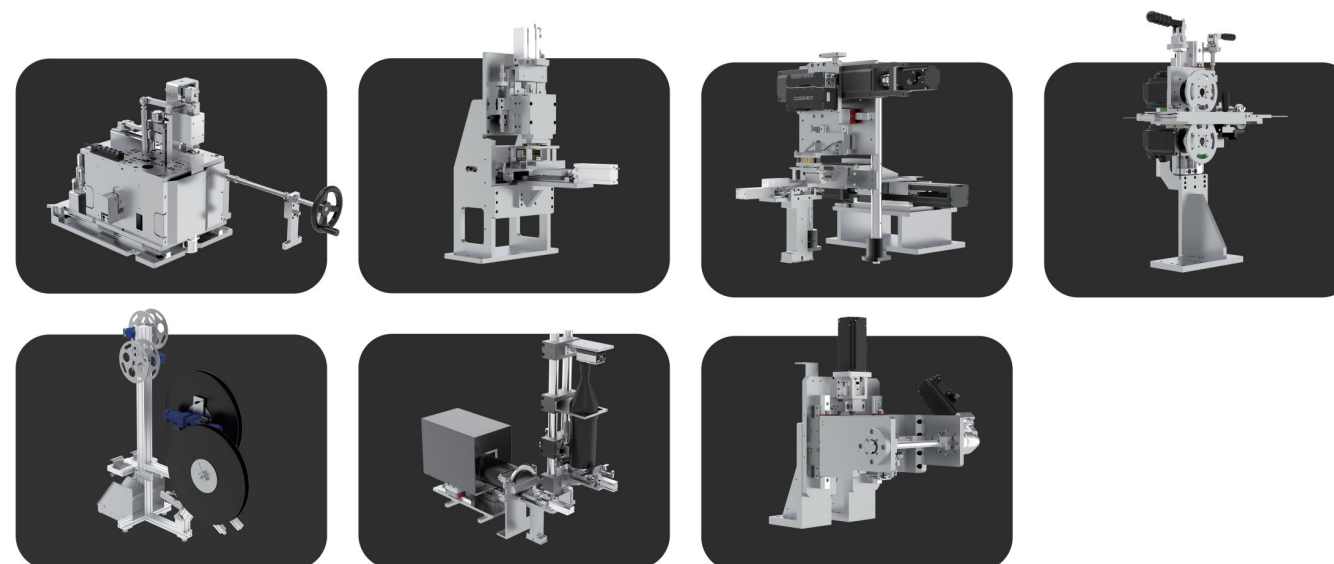
Typical Product



Description

Harmontronics provides non-injection molding and injection molding solutions for PCB header connector. The whole set of solutions are based on the concept of scalable and upgradable platform, which meets the needs of customers with high flexibility and high stability, solves the pain points of product incompatibility and long change-over time, and helps customers improve productivity.

Core Modules



Specification

Equipment Size	2000*1400*2000mm(Each)	Air Pressure	0.5~0.7Mpa
Stitching Speed	3~8 pins/s	Power Source	3~380V/AC/50Hz
Bending Speed	6 pins/s	Noise	<78dB
Changeover Time	<20min per machine		

Plug Connector Automation Solutions



Typical product



Description

Harmontronics provides a one-stop solution for the automatic assembly of automotive connectors, with product types mainly including low-voltage connectors, high-voltage connectors and high-speed connectors.

Through automated processes such as raw material loading, assembly, crimping, testing and packaging for raw materials, Harmontronics achieves one-stop processing and production of automotive connectors from raw materials to finished products, which reduces production costs, improves production efficiency and continuously creates value for customers.